


Table of Content

Page 1	Title, ToC and Rev History
Page 2	NOTES
Page 3	Schematic

Revision History

Rev. Code	Date	Description
X1	01/08/2019	Internal release
A	01/23/2019	Rev A release
B	02/11/2019	Rev B release

FRDM-XS2410EVB

		6501 William Cannon Drive West Austin, TX 78735-8598	
This document contains information proprietary to NXP and shall not be used for engineering design, procurement or manufacture in whole or in part without the express written permission of NXP Semiconductors.			
		ICAP Classification: CP: IJO: X PUBL:	
Designer: Thomas Mazeaud	Drawing Title: FRDM-XS2410EVB		
Drawn by: Marius T	Page Title: Title, ToC and Rev History		
Approved: Thomas Mazeaud	Size B	Document Number SCH45718 - SPF45718	Rev B
Date: Monday, February 11, 2019		Sheet 1 of 3	

Notes and documentation

REF DES	JUMPER	PAGE NAME
J13,J14	1-2	03 - Schematic
J11,J12	OPEN	03 - Schematic

REF DES	SWITCH	PAGE NAME
SW2	ALL OFF	03 - Schematic

REF DES	SHORT	PAGE NAME
R14	1-3	03 - Schematic

Changelog with RevB(non NCL design):

- Location of LHM resistor R2
- Package of IN&LHM resistors changed to 0603
- OUT_LED + PMOS removed
- 10uF regulator output capacitor added
- Output LED current mirror removed.
- Vpwr/Vdd/V_SPI capacitor footprint changed to 1206
- Output capacitors changed to 1206

Changelog with RevC (non NCL design):

- Change pinout to get compatibility with both KL25z & S32K144
- Change header connection to single row connector



6501 William Cannon Drive West
Austin, TX 78735-8598

This document contains information proprietary to NXP and shall not be used for engineering design, procurement or manufacture in whole or in part without the express written permission of NXP Semiconductors.

ICAP Classification: CP: IUO: X PUBI:

Designer:
Thomas Mazeaud

Drawing Title:

FRDM-XS2410EVB

Drawn by:
Marius T

Page Title:

Notes

Approved:
Thomas Mazeaud

Size
A

Document Number

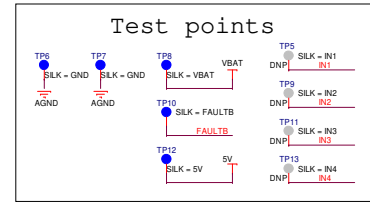
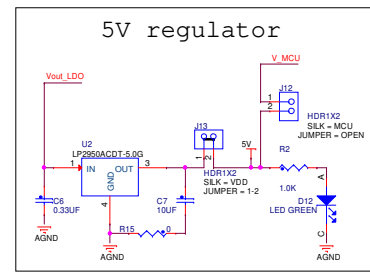
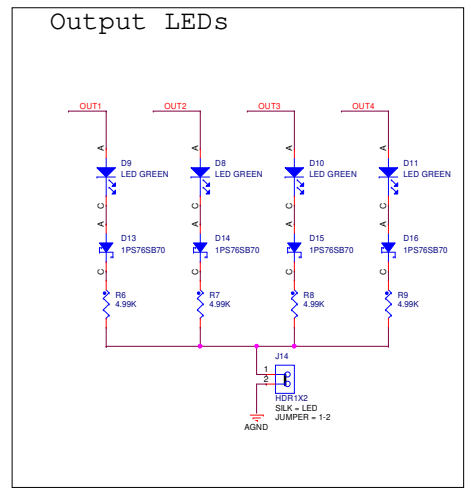
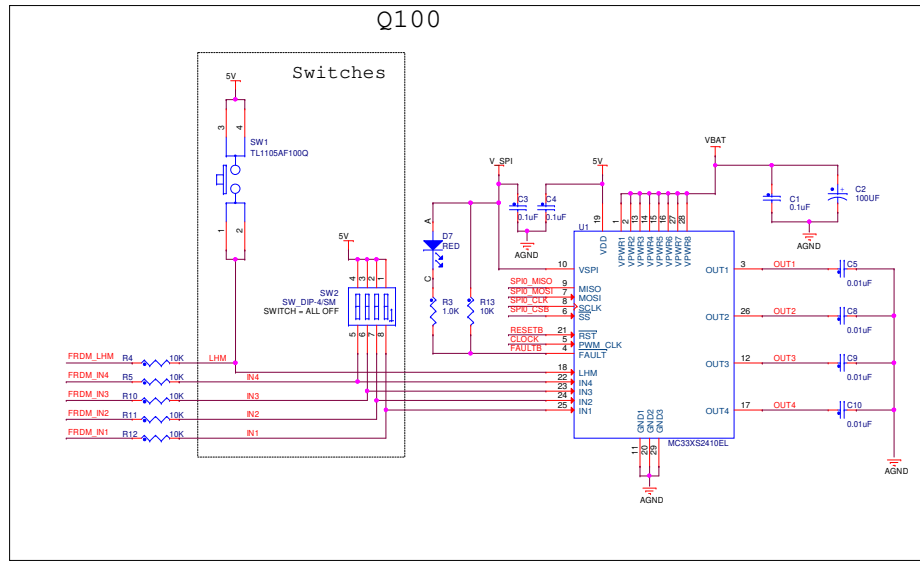
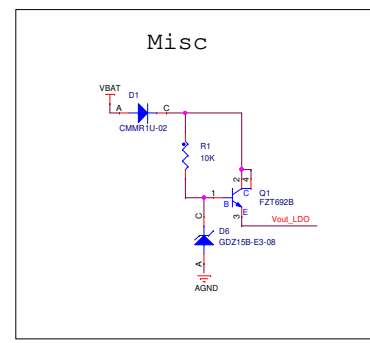
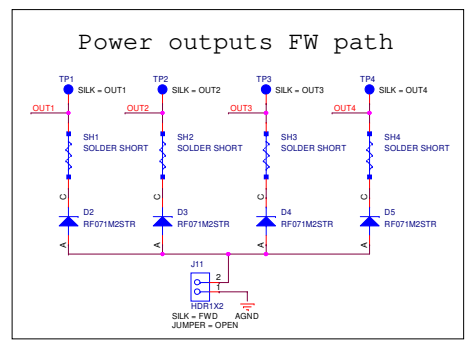
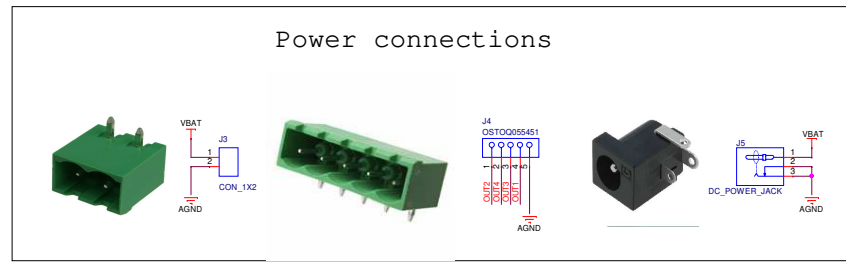
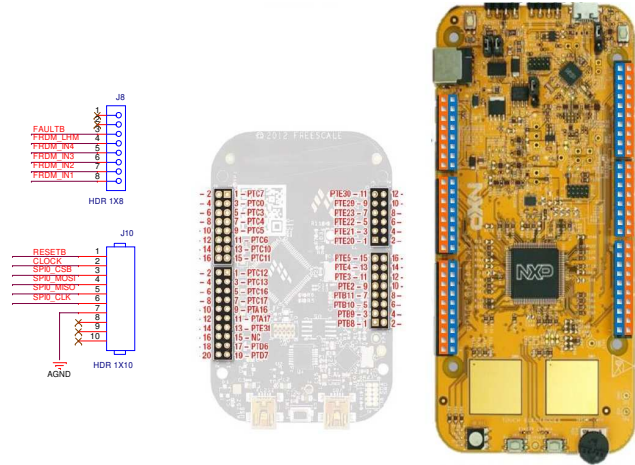
SCH45718 - SPF45718

Rev
B

Date: Monday, February 11, 2019

Sheet 2 of 3

FREEDOM Board connections



NXP		6501 William Cannon Drive West Austin, TX 78725-6598	
This document contains information proprietary to NXP and shall not be used for engineering design, procurement or manufacture in whole or in part without the express written permission of NXP Semiconductors.			
Designer: Thomas Mazeaud	Drawing Title: FRDM-XS2410EVB	ICAP Classification:	CP: <input type="checkbox"/> X <input type="checkbox"/> PURE: <input type="checkbox"/>
Drawn by: Marius T	Page Title: Schematic		
Approved: Thomas Mazeaud	Size C	Document Number SCH45718 - SPF45718	Rev B
Date: Monday, February 11, 2019		Sheet 3 of 3	