


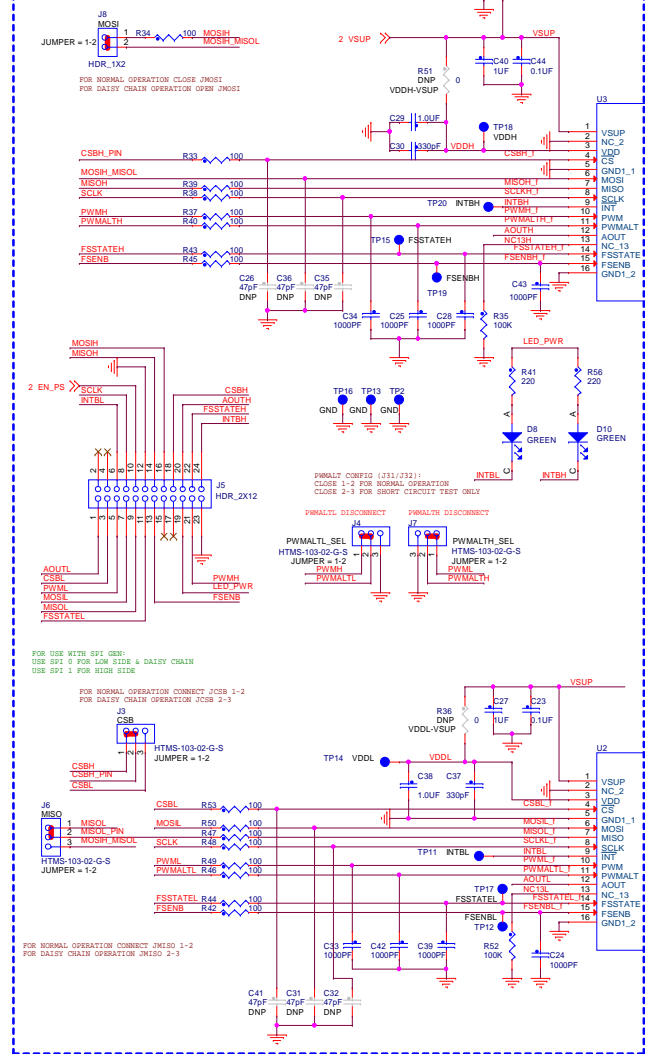
Table of Contents	
01	Title, ToC and Rev History
02	Notes
03	POWER SUPPLY
04	HS & LS DRIVER

Revision History			
Rev	Description	Date	Approved
A	Original Release	20-08-2019	Pierre Calmes
A1	BOM adjustment to match SiC modules (RG and gate clamps changed + VEE zener) Diodes Replaced : D1,D15,D2,D13,D3,D12 Resistor Replaced : R13,R14,R60,R61,R15,R16,R58,R59	26-05-2020	Thomas Mazeaud
A2	BOM adjustment Value changed 1.R2, R68 2.C6,C60	08-07-2020	Thomas Mazeaud

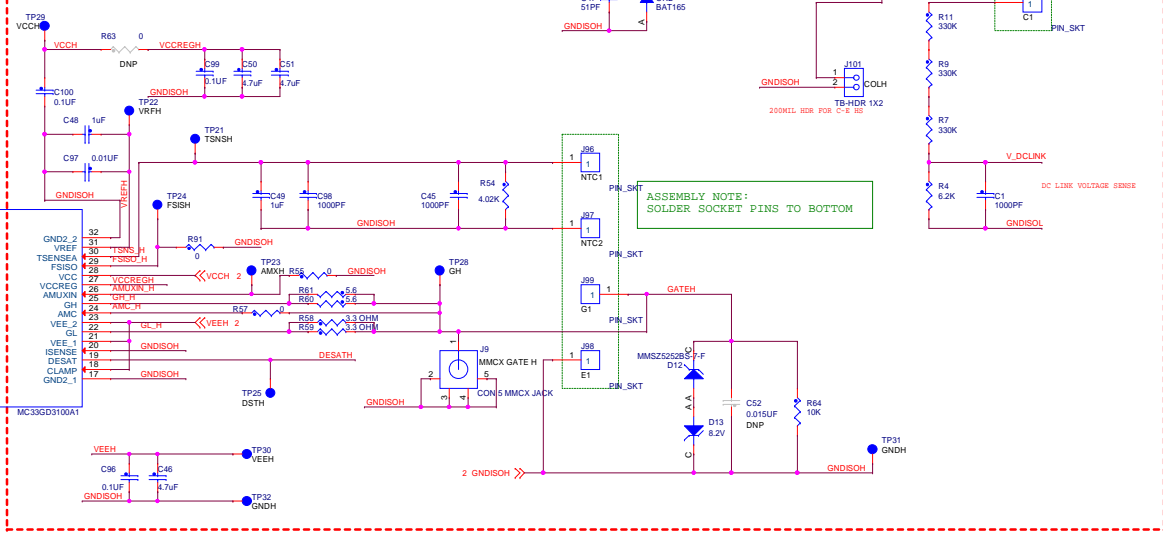
FRDMGD3100HB8EVM

		Automotive Product Group 6501 Williams Cannon Drive West Austin, TX 78725-6598	
<small>This document contains information proprietary to NXP and shall not be used for engineering design, procurement or manufacture in whole or in part without the express written permission of NXP Semiconductors.</small>			
© NXP SEMICONDUCTORS		Classification: <u>Company Internal/Proprietary</u>	
Designer: Travis Alexander	Drawing Title: FRDMGD3100HB8EVM		
Drawn by: Avarna Vircaman	Page Title: Title, ToC and Rev History		
Approved: Thomas Mazeaud	Size: C	Document Number: SCH-46506 PDF: SPF-46506	Rev: A2
Date: Thursday, July 09, 2020		Sheet 1 of 3	

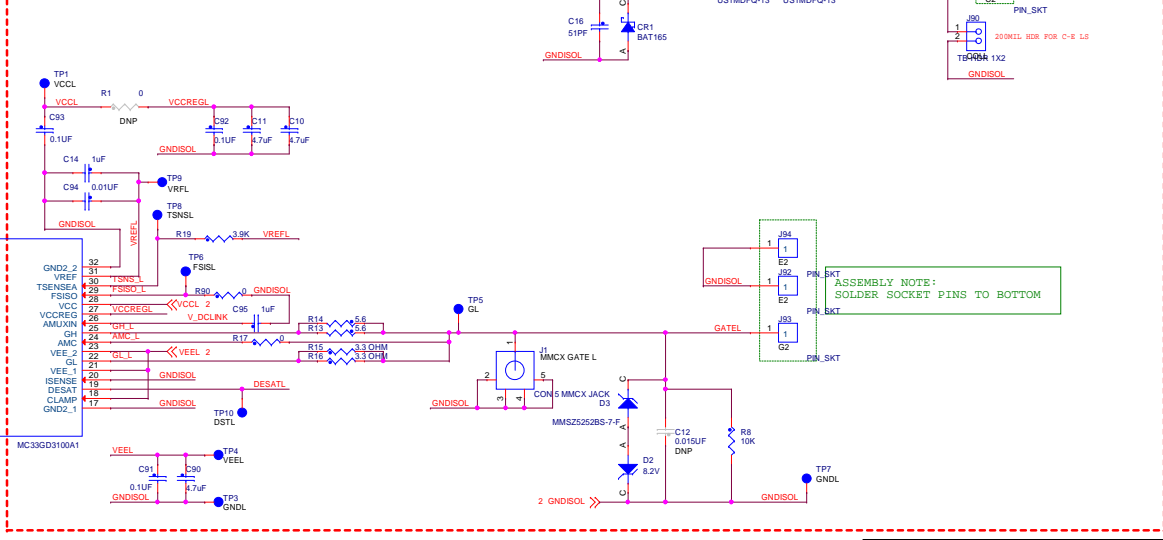
LV DOMAIN



HS DRIVER *** HIGH VOLTAGE ***



LS DRIVER *** HIGH VOLTAGE ***



Classification: Drawing Title: FRDMGD3100HB8EVM			
Page Title: LS & HS DRIVER			
Size C	Document Number	SCH-46505 PDF: SPF-46505	Rev A2
Date:	Thursday, July 09, 2020	Sheet	3 of 3