


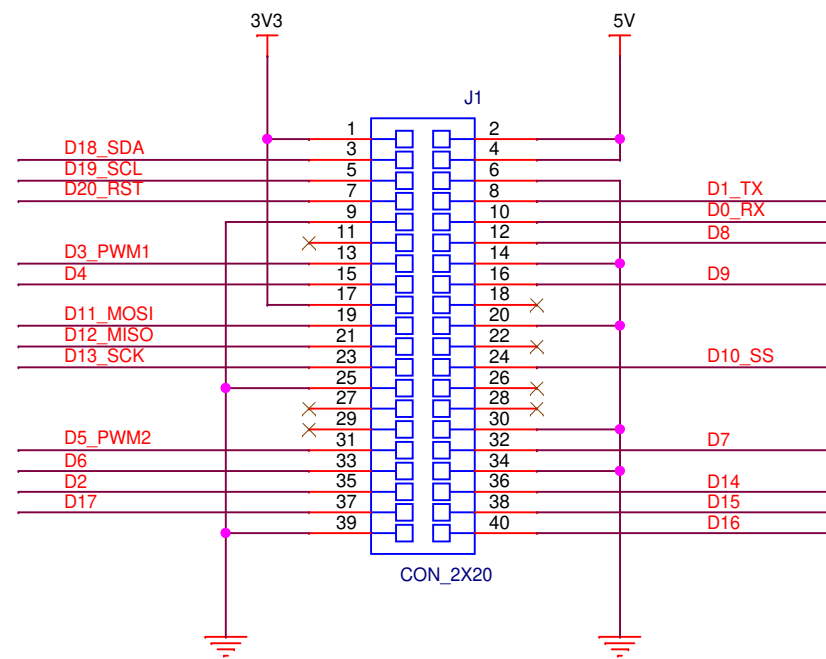
Table of Contents	
1	TITLE, TOC & REV
2	IMX8MMINI-IARD

Revisions			
Rev	Description	Date	Approved
X1	First draft (development)	25-OCT-19	Giovanni Genna
A	Pilot production	16-NOV-19	Giovanni Genna
B	Release for production	18-NOV-20	Giovanni Genna

IMX8MMINI-IARD

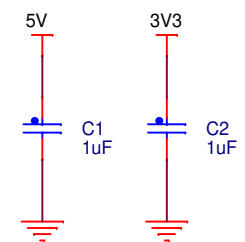
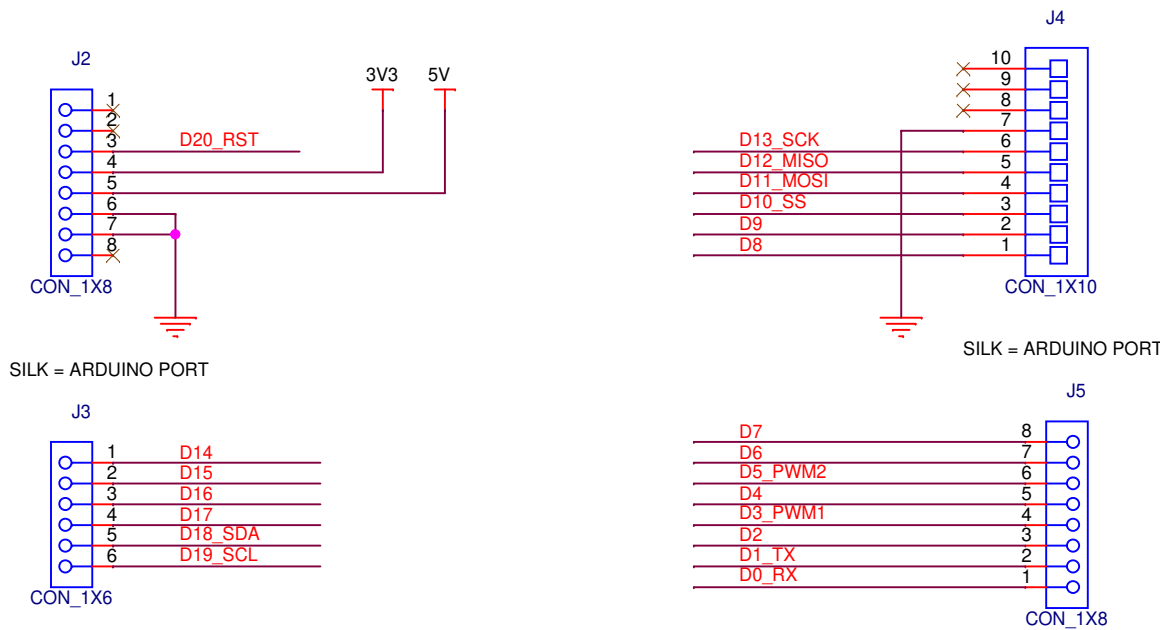
		Analog Sensor Product Group 6501 William Cannon Drive West Austin, TX 78735-8598	
This document contains information proprietary to NXP and shall not be used for engineering design, procurement or manufacture in whole or in part without the express written permission of NXP Semiconductors.			
ICAP Classification: CP: IUC: X PUBI:			
Designer: Sandel Simion	Drawing Title: IMX8MMINI-IARD		
Drawn by: Sandel Simion	Page Title: TITLE, TOC & REV		
Approved: Giovanni Genna	Size B	Document Number SCH-46675 PDF: SPF-46675	Rev B
Date: Wednesday, December 16, 2020		Sheet 1	of 2

Bottom Silk: To J1003,
i.MX 8M Mini LPDDR4 EVK Board



SILK = To J1003,i.MX 8M Mini LPDDR4 EVK Board

Top Silk: ARDUINO PORT



NXP

ICAP Classification: CP: ___ IUO: X PUBI: ___
 Drawing Title: **IMX8MMINI-IARD**
 Page Title: **IMX8MMINI-IARD**

Size B	Document Number SCH-46675 PDF: SPF-46675	Rev B
--------	--	-------

Date: Wednesday, December 16, 2020 | Sheet 2 of 2