

Table of Content


Page 1	Title & ToC & Rev
Page 2	PCA9957 & PCA9959 & SKT
Page 3	LED
Page 4	SMB connector for fuji
Page 5	SPI Interface

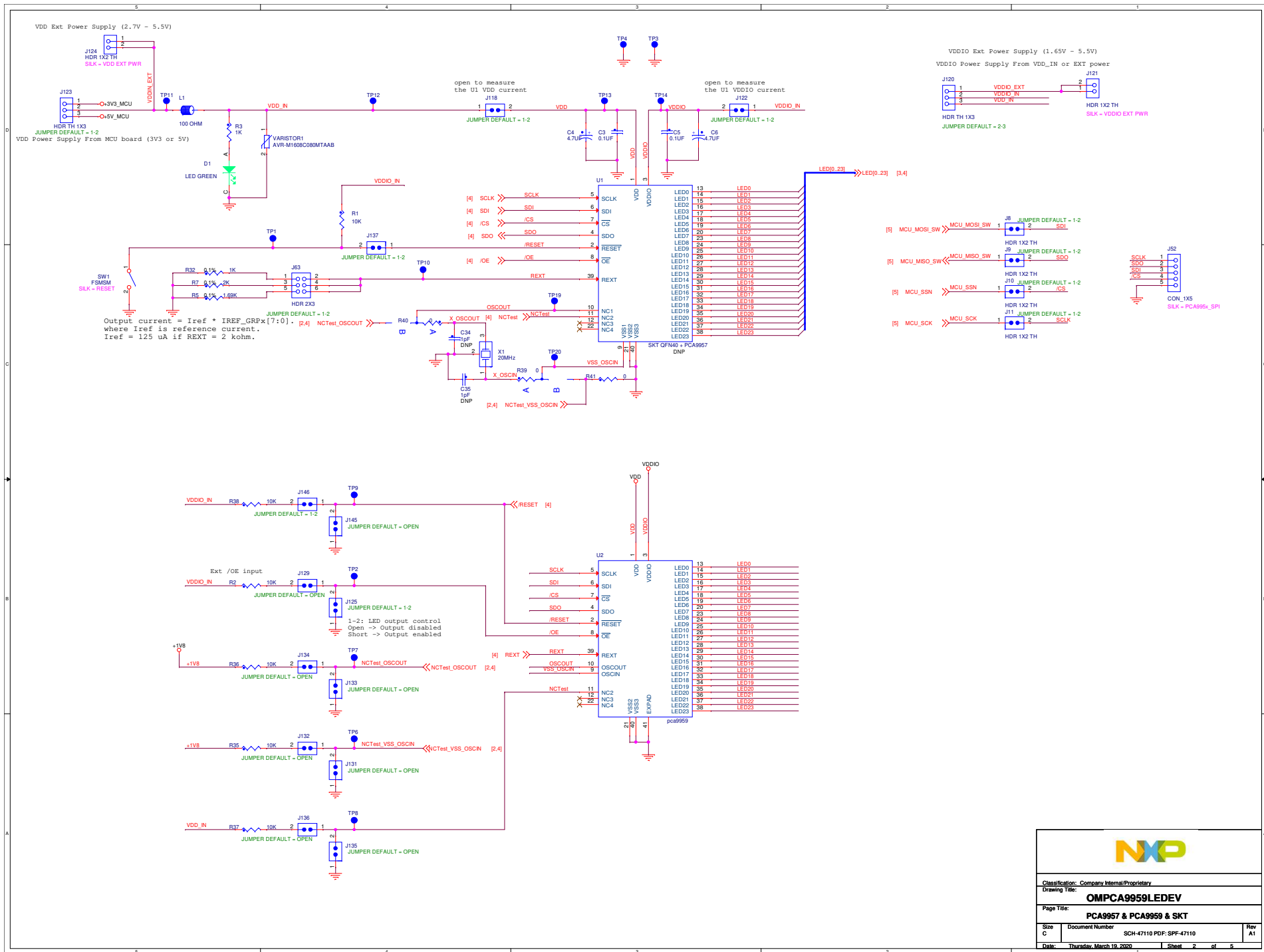
Revisions			
Rev	Description	Date	Approved
A	Release	25-FEB-20	ERIC LU
A1	1. Update SPI Daisy Chain Block Diagram 2. Change J5 jumper default setting from 1-2 to 2-3	13-MAR-20	ERIC LU

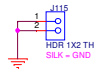
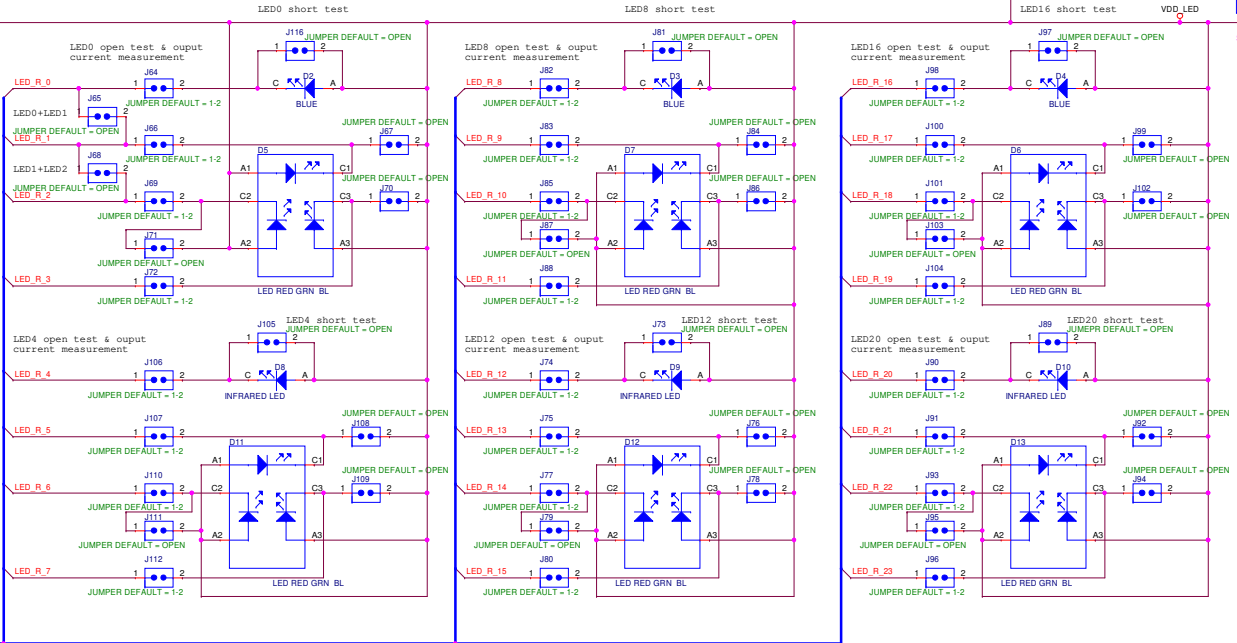
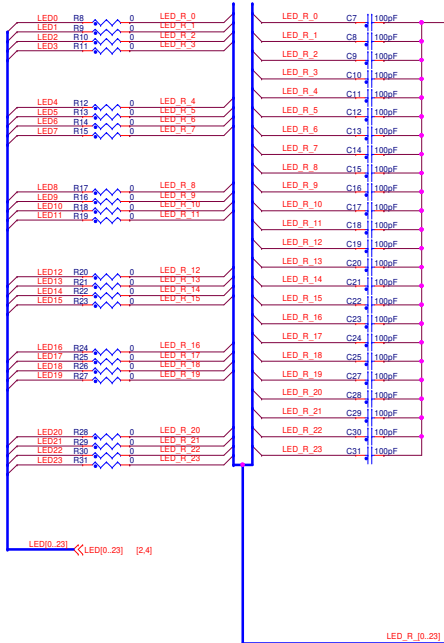
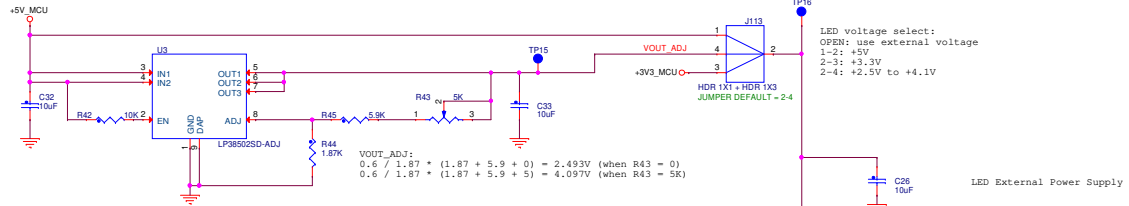
OMPCA9959LEDEV

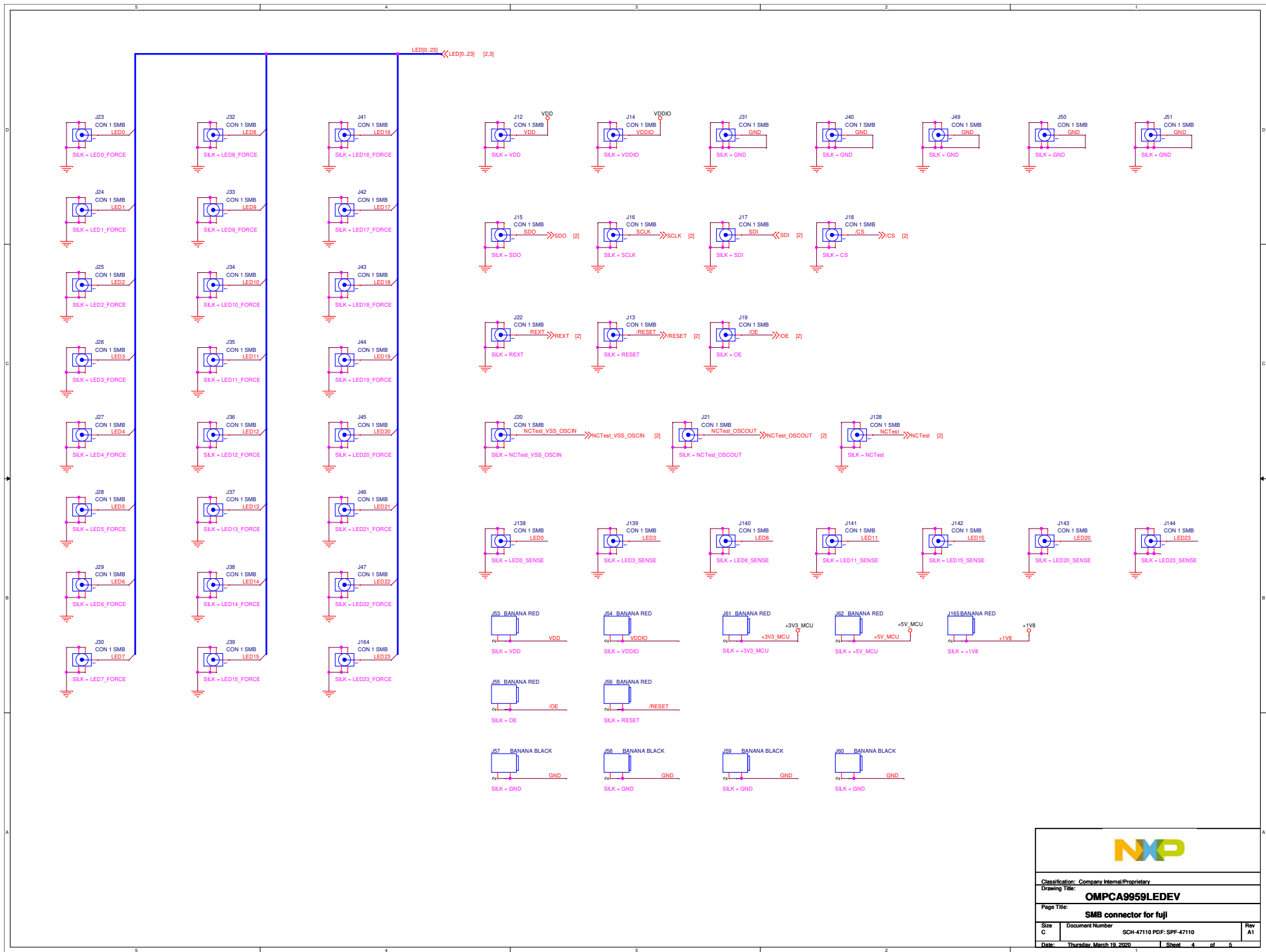
REF DES	JUMPERDEFAULT	PAGE NAME
J10,J118,J8,J125,J146,J11, J123,J63,J9,J122,J137	1-2	02 PCA9957 & PCA9959 & SKT
J120	2-3	02 PCA9957 & PCA9959 & SKT
R40,R39	A	02 PCA9957 & PCA9959 & SKT
J132,J131,J136,J133,J129, J135,J134,J145	OPEN	02 PCA9957 & PCA9959 & SKT
J93,J66,J74,J96,J90,J64,J106, J107,J77,J72,J104,J110,J85, J91,J112,J100,J75,J88,J80, J98,J83,J101,J82,J69	1-2	03 LED
J113	2-4	03 LED
J97,J70,J99,J92,J116,J71,J67, J103,J95,J87,J65,J79,J102, J73,J78,J94,J68,J105,J86, J111,J81,J76,J84,J109,J108	OPEN	03 LED
J6	1-2	05 SPI Interface
J5	2-3	05 SPI Interface

REF DES	ASSY OPT	PAGE NAME
C34,U1,C35	DNP	02 PCA9957 & PCA9959 & SKT

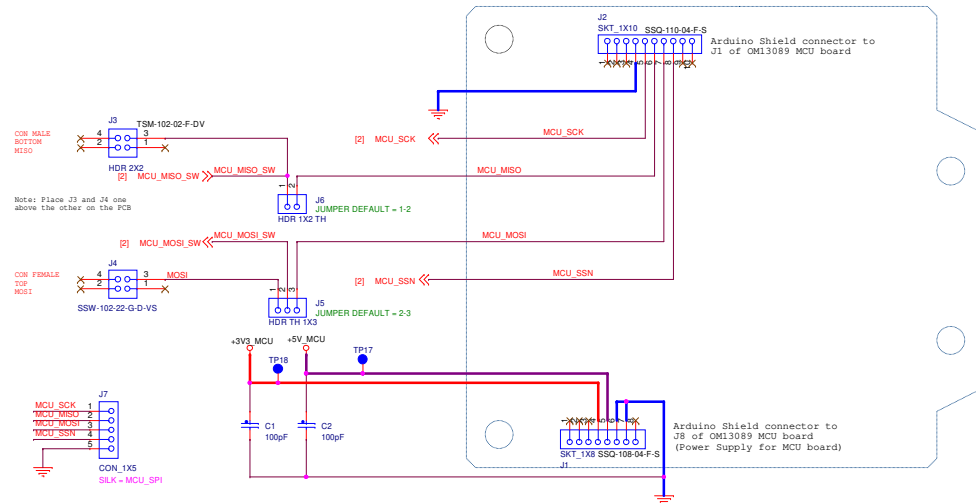
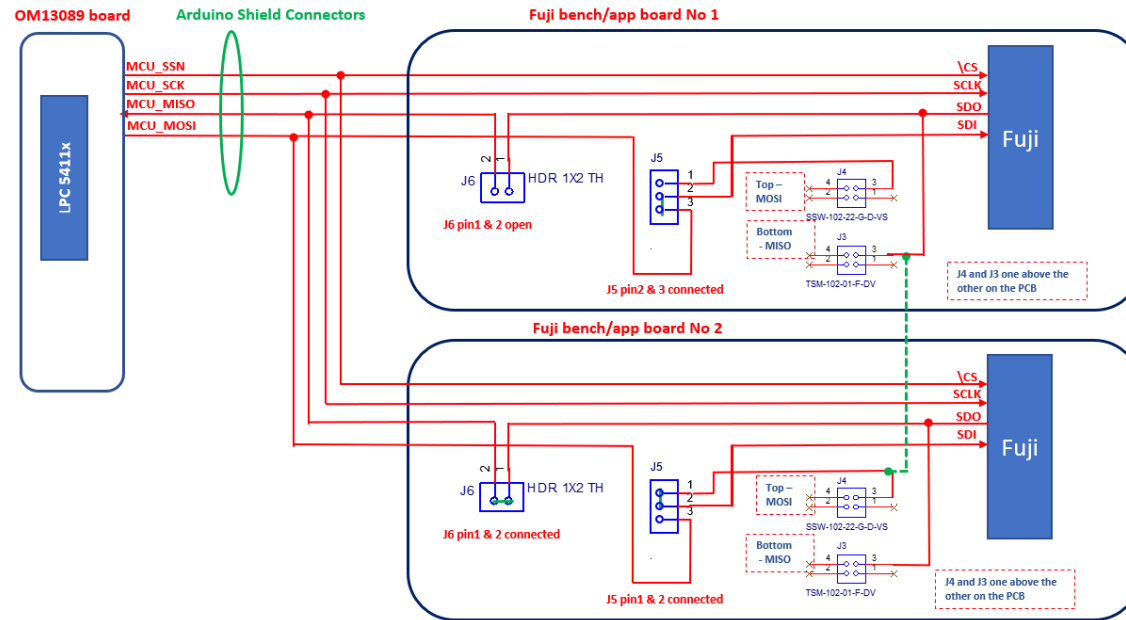
		6501 William Cannon Drive West Austin, TX 78735-8598	
		<small>This document contains information proprietary to NXP and shall not be used for engineering design, procurement or manufacture in whole or in part without the express written permission of NXP Semiconductors.</small>	
<small>© NXP SEMICONDUCTORS Classification: Company Internal/Proprietary</small>		OMPCA9959LEDEV	
Designer: <Designer>	Drawing Title:		
Drawn by: <Drawn by>	Page Title:		
Title & ToC & Rev			
Approved: <Approver>	Size C	Document Number SCH-47110 PDF: SPF-47110	Rev A1
Date: Thursday, March 19, 2020 Sheet 1 of 5			







Fuji two boards stacking (SPI Daisy Chain) configuration



Classification: Company Internal/Proprietary		
Drawing Title: OMPCA9959LEDEV		
Page Title: SPI Interface		
Size C	Document Number SCH-47110 PDF: SPF-47110	Rev A1
Date: Thursday, March 19, 2020	Sheet 5	of 5