

Table Of Contents:

1	TITLE
2	TJA1129
3	Arduino UNO Connector

Revision Information

Rev	Date	Approval	Comments
X1	12 DEC 2016		Initial
A	29 DEC 2016	Rainer Evers	Release
B	05 JUN 2018		


TJA1128EVB

Notes:

- All components and board processes are to be ROHS compliant
- All capacitors are 10% tolerance unless otherwise stated
- All resistors are 5% tolerance unless otherwise stated
- All zero ohm links are 0603
- All connectors and headers are denoted Jx and are 2.54mm pitch unless otherwise stated
- All jumpers are denoted JPx. Jumpers are 2.54mm pitch
- Jumper default positions are shown in the schematics. For 3 way jumpers, default is always posn 1-2
- 2 Pin jumpers generally have the "source" on pin 1
- All switches are denoted SWx
- All test points (Through Hole style) are denoted TPx

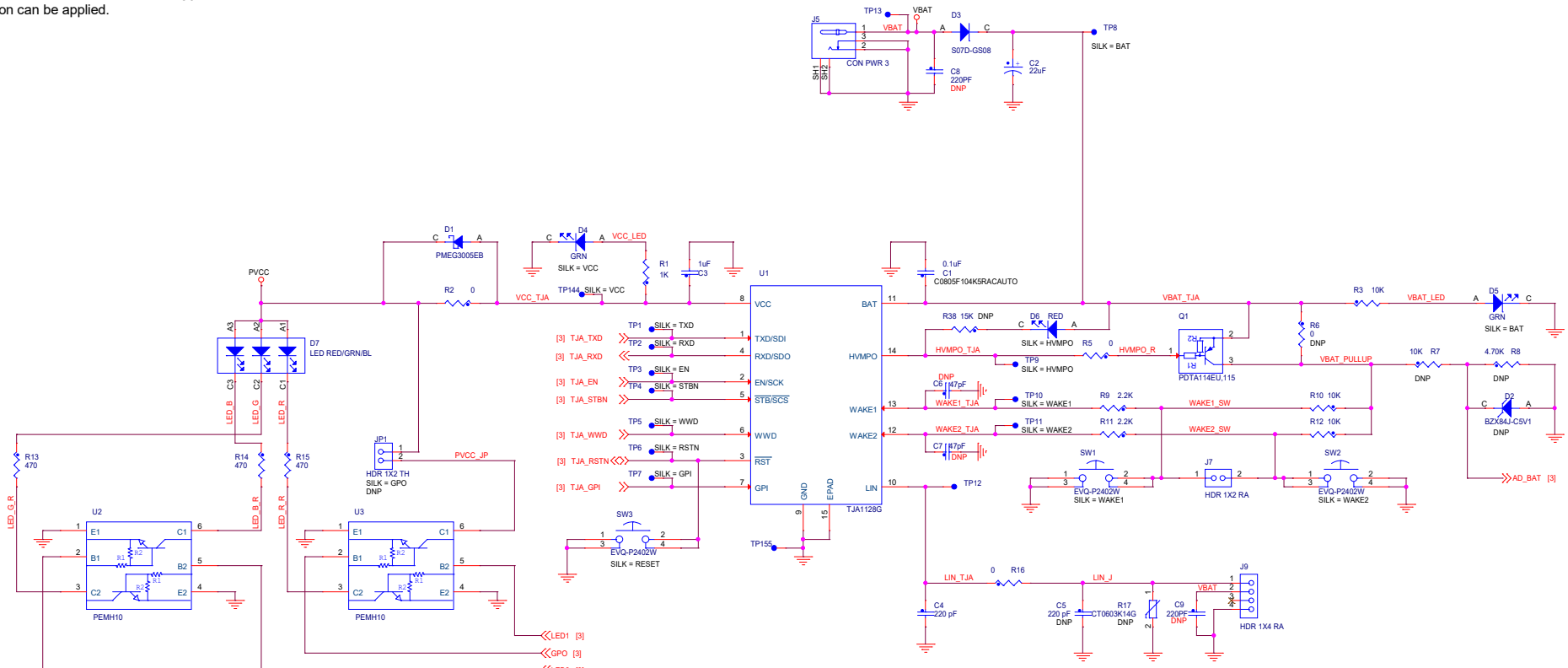
User notes are given throughtout the schematics.

Specific PCB LAYOUT notes are detailed in ITALICS

		Automotive Product Group 6501 William Cannon Drive West Austin, TX 78735-8598	
		<small>This document contains information proprietary to NXP and shall not be used for engineering design, procurement or manufacture in whole or in part without the express written permission of NXP Semiconductors.</small>	
Designer: Jun Qiao		ICAP Classification: CP: I/O: X PUBL:	
Drawing Title: TJA1128EVB		Drawn by: Jun Qiao	
Approved: Rainer Evers		Index, Rev, Notes	
Size C	Document Number SCH-29585	PDF: SPF-29585	Rev B
Date: Tuesday, June 05, 2018		Sheet 1 of 3	

1. Rating up to 16V for this board.
Check it before mating with compatible boards.

2. On C1, C8 and C9:
Open mode capacitor is recommended.
As alternative in customer application two ceramic capacitors in series connection with 90° different orientation can be applied.

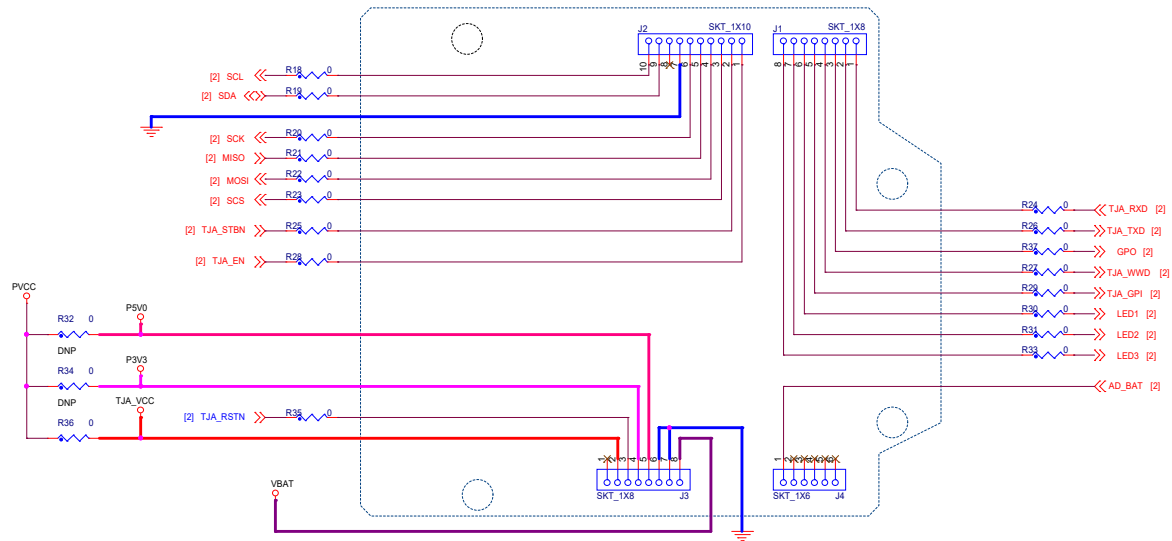


Place C4 close to the LIN pin of TJA1128
Place C5, C9, R17 close to connector J9

TP14	TP27	TP40	TP53	TP66	TP79	TP93	TP106	TP119	TP132	TP145	TP158	TP171	TP184	TP197	TP210
TP15	TP28	TP41	TP54	TP67	TP80	TP94	TP107	TP120	TP133	TP146	TP159	TP172	TP185	TP198	TP211
TP16	TP29	TP42	TP55	TP68	TP81	TP95	TP108	TP121	TP134	TP147	TP160	TP173	TP186	TP199	TP212
TP17	TP30	TP43	TP56	TP69	TP82	TP96	TP109	TP122	TP135	TP148	TP161	TP174	TP187	TP200	TP213
TP18	TP31	TP44	TP57	TP70	TP83	TP97	TP110	TP123	TP136	TP149	TP162	TP175	TP188	TP201	TP214
TP19	TP32	TP45	TP58	TP71	TP84	TP98	TP111	TP124	TP137	TP150	TP163	TP176	TP189	TP202	TP215
TP20	TP33	TP46	TP59	TP72	TP85	TP99	TP112	TP125	TP138	TP151	TP164	TP177	TP190	TP203	TP216
TP21	TP34	TP47	TP60	TP73	TP86	TP100	TP113	TP126	TP139	TP152	TP165	TP178	TP191	TP204	TP217
TP22	TP35	TP48	TP61	TP74	TP87	TP101	TP114	TP127	TP140	TP153	TP166	TP179	TP192	TP205	TP218
TP23	TP36	TP49	TP62	TP75	TP88	TP102	TP115	TP128	TP141	TP154	TP167	TP180	TP193	TP206	TP219
TP24	TP37	TP50	TP63	TP76	TP89	TP103	TP116	TP129	TP142	TP155	TP168	TP181	TP194	TP207	TP220
TP25	TP38	TP51	TP64	TP77	TP90	TP104	TP117	TP130	TP143	TP156	TP169	TP182	TP195	TP208	TP221
TP26	TP39	TP52	TP65	TP78	TP91	TP105	TP118	TP131	TP144	TP157	TP170	TP183	TP196	TP209	TP222
TP27	TP40	TP53	TP66	TP79	TP92	TP106	TP119	TP132	TP145	TP158	TP171	TP184	TP197	TP210	TP223
TP28	TP41	TP54	TP67	TP80	TP93	TP107	TP120	TP133	TP146	TP159	TP172	TP185	TP198	TP211	TP224
TP29	TP42	TP55	TP68	TP81	TP94	TP108	TP121	TP134	TP147	TP160	TP173	TP186	TP199	TP212	TP225
TP30	TP43	TP56	TP69	TP82	TP95	TP109	TP122	TP135	TP148	TP161	TP174	TP187	TP200	TP213	TP226
TP31	TP44	TP57	TP70	TP83	TP96	TP110	TP123	TP136	TP149	TP162	TP175	TP188	TP201	TP214	TP227
TP32	TP45	TP58	TP71	TP84	TP97	TP111	TP124	TP137	TP150	TP163	TP176	TP189	TP202	TP215	TP228
TP33	TP46	TP59	TP72	TP85	TP98	TP112	TP125	TP138	TP151	TP164	TP177	TP190	TP203	TP216	TP229
TP34	TP47	TP60	TP73	TP86	TP99	TP113	TP126	TP139	TP152	TP165	TP178	TP191	TP204	TP217	TP230
TP35	TP48	TP61	TP74	TP87	TP100	TP114	TP127	TP140	TP153	TP166	TP179	TP192	TP205	TP218	TP231
TP36	TP49	TP62	TP75	TP88	TP101	TP115	TP128	TP141	TP154	TP167	TP180	TP193	TP206	TP219	TP232
TP37	TP50	TP63	TP76	TP89	TP102	TP116	TP129	TP142	TP155	TP168	TP181	TP194	TP207	TP220	TP233
TP38	TP51	TP64	TP77	TP90	TP103	TP117	TP130	TP143	TP156	TP169	TP182	TP195	TP208	TP221	TP234
TP39	TP52	TP65	TP78	TP91	TP104	TP118	TP131	TP144	TP157	TP170	TP183	TP196	TP209	TP222	TP235
TP40	TP53	TP66	TP79	TP92	TP105	TP119	TP132	TP145	TP158	TP171	TP184	TP197	TP210	TP223	TP236
TP41	TP54	TP67	TP80	TP93	TP106	TP120	TP133	TP146	TP159	TP172	TP185	TP198	TP211	TP224	TP237
TP42	TP55	TP68	TP81	TP94	TP107	TP121	TP134	TP147	TP160	TP173	TP186	TP199	TP212	TP225	TP238
TP43	TP56	TP69	TP82	TP95	TP108	TP122	TP135	TP148	TP161	TP174	TP187	TP200	TP213	TP226	TP239
TP44	TP57	TP70	TP83	TP96	TP109	TP123	TP136	TP149	TP162	TP175	TP188	TP201	TP214	TP227	TP240
TP45	TP58	TP71	TP84	TP97	TP110	TP124	TP137	TP150	TP163	TP176	TP189	TP202	TP215	TP228	TP241
TP46	TP59	TP72	TP85	TP98	TP111	TP125	TP138	TP151	TP164	TP177	TP190	TP203	TP216	TP229	TP242
TP47	TP60	TP73	TP86	TP99	TP112	TP126	TP139	TP152	TP165	TP178	TP191	TP204	TP217	TP230	TP243
TP48	TP61	TP74	TP87	TP100	TP113	TP127	TP140	TP153	TP166	TP179	TP192	TP205	TP218	TP231	TP244
TP49	TP62	TP75	TP88	TP101	TP114	TP128	TP141	TP154	TP167	TP180	TP193	TP206	TP219	TP232	TP245
TP50	TP63	TP76	TP89	TP102	TP115	TP129	TP142	TP155	TP168	TP181	TP194	TP207	TP220	TP233	TP246
TP51	TP64	TP77	TP90	TP103	TP116	TP130	TP143	TP156	TP169	TP182	TP195	TP208	TP221	TP234	TP247
TP52	TP65	TP78	TP91	TP104	TP117	TP131	TP144	TP157	TP170	TP183	TP196	TP209	TP222	TP235	TP248
TP53	TP66	TP79	TP92	TP105	TP118	TP132	TP145	TP158	TP171	TP184	TP197	TP210	TP223	TP236	TP249
TP54	TP67	TP80	TP93	TP106	TP120	TP133	TP146	TP159	TP172	TP185	TP198	TP211	TP224	TP237	TP250
TP55	TP68	TP81	TP94	TP107	TP121	TP134	TP147	TP160	TP173	TP186	TP199	TP212	TP225	TP238	TP251
TP56	TP69	TP82	TP95	TP108	TP122	TP135	TP148	TP161	TP174	TP187	TP200	TP213	TP226	TP239	TP252
TP57	TP70	TP83	TP96	TP109	TP123	TP136	TP149	TP162	TP175	TP188	TP201	TP214	TP227	TP240	TP253
TP58	TP71	TP84	TP97	TP110	TP124	TP137	TP150	TP163	TP176	TP189	TP202	TP215	TP228	TP241	TP254
TP59	TP72	TP85	TP98	TP111	TP125	TP138	TP151	TP164	TP177	TP190	TP203	TP216	TP229	TP242	TP255
TP60	TP73	TP86	TP99	TP112	TP126	TP139	TP152	TP165	TP178	TP191	TP204	TP217	TP230	TP243	TP256
TP61	TP74	TP87	TP100	TP113	TP127	TP140	TP153	TP166	TP179	TP192	TP205	TP218	TP231	TP244	TP257
TP62	TP75	TP88	TP101	TP114	TP128	TP141	TP154	TP167	TP180	TP193	TP206	TP219	TP232	TP245	TP258
TP63	TP76	TP89	TP102	TP115	TP129	TP142	TP155	TP168	TP181	TP194	TP207	TP220	TP233	TP246	TP259
TP64	TP77	TP90	TP103	TP116	TP130	TP143	TP156	TP169	TP182	TP195	TP208	TP221	TP234	TP247	TP260
TP65	TP78	TP91	TP104	TP117	TP131	TP144	TP157	TP170	TP183	TP196	TP209	TP222	TP235	TP248	TP261
TP66	TP79	TP92	TP105	TP118	TP132	TP145	TP158	TP171	TP184	TP197	TP210	TP223	TP236	TP249	TP262
TP67	TP80	TP93	TP106	TP120	TP133	TP146	TP159	TP172	TP185	TP198	TP211	TP224	TP237	TP250	TP263
TP68	TP81	TP94	TP107	TP121	TP134	TP147	TP160	TP173	TP186	TP199	TP212	TP225	TP238	TP251	TP264
TP69	TP82	TP95	TP108	TP122	TP135	TP148	TP161	TP174	TP187	TP200	TP213	TP226	TP239	TP252	TP265
TP70	TP83	TP96	TP109	TP123	TP136	TP149	TP162	TP175	TP188	TP201	TP214	TP227	TP240	TP253	TP266
TP71	TP84	TP97	TP110	TP124	TP137	TP150	TP163	TP176	TP189	TP202	TP215	TP228	TP241	TP254	TP267
TP72	TP85	TP98	TP111	TP125	TP138	TP151	TP164	TP177	TP190	TP203	TP216	TP229	TP242	TP255	TP268
TP73	TP86	TP99	TP112	TP126	TP139	TP152	TP165	TP178	TP191	TP204	TP217	TP230	TP243	TP256	TP269
TP74	TP87	TP100	TP113	TP127	TP140	TP153	TP166	TP179	TP192	TP205	TP218	TP231	TP244	TP257	TP270
TP75	TP88	TP101	TP114	TP128	TP141	TP154	TP167	TP180	TP193	TP206	TP219	TP232	TP245	TP258	TP271
TP76	TP89	TP102	TP115	TP129	TP142	TP155	TP168	TP181	TP194	TP207	TP220	TP233	TP246	TP259	TP272
TP77	TP90	TP103	TP116	TP130	TP143	TP156	TP169	TP182	TP195	TP208	TP221	TP234	TP247	TP260	TP273
TP78	TP91	TP104	TP117	TP131	TP144	TP157	TP170	TP183	TP196	TP209	TP222	TP235	TP248	TP261	TP274
TP79	TP92	TP105	TP118	TP132	TP145	TP158	TP171	TP184	TP197	TP210	TP223	TP236	TP249	TP262	TP275
TP80	TP93	TP106	TP120	TP133	TP146	TP159	TP172	TP185	TP198	TP211	TP224	TP237	TP250	TP263	TP276
TP81	TP94	TP107	TP121	TP134	TP147	TP160	TP173	TP186	TP199	TP212	TP225	TP238	TP251	TP264	TP277
TP82	TP95	TP108	TP122	TP135	TP148	TP161	TP174	TP187	TP200	TP213	TP226	TP239	TP252	TP265	TP278
TP83	TP96	TP109	TP123	TP136	TP149	TP162	TP175	TP188	TP201	TP214	TP227	TP240	TP253	TP266	TP279
TP84	TP97	TP110	TP124	TP137	TP150	TP163	TP176	TP189	TP202	TP215	TP228	TP241	TP254	TP267	TP280
TP85	TP98	TP111	TP125	TP138	TP151	TP164	TP177	TP190	TP203	TP216	TP229	TP242	TP255	TP268	TP281
TP86	TP99	TP112	TP126	TP139	TP152	TP165	TP178	TP191	TP204	TP217	TP230	TP243	TP256	TP269	TP282
TP87	TP100	TP113	TP127	TP140	TP153	TP166	TP179	TP192	TP205	TP218	TP231	TP244	TP257	TP270	TP283
TP88	TP101	TP114	TP128	TP141	TP154	TP167	TP180	TP193	TP206	TP219	TP232	TP245	TP258	TP271	TP284
TP89	TP102	TP115	TP129	TP142	TP155	TP168	TP181	TP194	TP207	TP220	TP233	TP246	TP259	TP272	TP285
TP90	TP103	TP116	TP130	TP143	TP156	TP169	TP182	TP195	TP208	TP221	TP234	TP247	TP260	TP273	TP286
TP91	TP104	TP117	TP131	TP144	TP157	TP170	TP183	TP196	TP209	TP222	TP235	TP248	TP261	TP274	TP287
TP92	TP105	TP118	TP132	TP145	TP158	TP171	TP184	TP197	TP210	TP223	TP236	TP249	TP262	TP275	TP288
TP93	TP106	TP119	TP133	TP146	TP159	TP172	TP185	TP198	TP211	TP224	TP237	TP250	TP263	TP276	TP289
TP94	TP107	TP120	TP134	TP147	TP160	TP173	TP186	TP199	TP212	TP225	TP238	TP251	TP264	TP277	TP290
TP95	TP108	TP121													

Arduino UNO Connector

Place all 0ohm resistors close to connectors (J1, J2, J3, J4)



NOTE: Check carefully before connected to compatible boards.



ICAP Classification: CP: IUG: X PUBL:	
Drawing Title: TJA1128EVB	
Page Title: Arduino UNO Connector	
Size C	Document Number SCH-29585 PDF: SPF-29585
Date: Tuesday, June 05, 2018	Sheet 3 of 3
Rev B	