



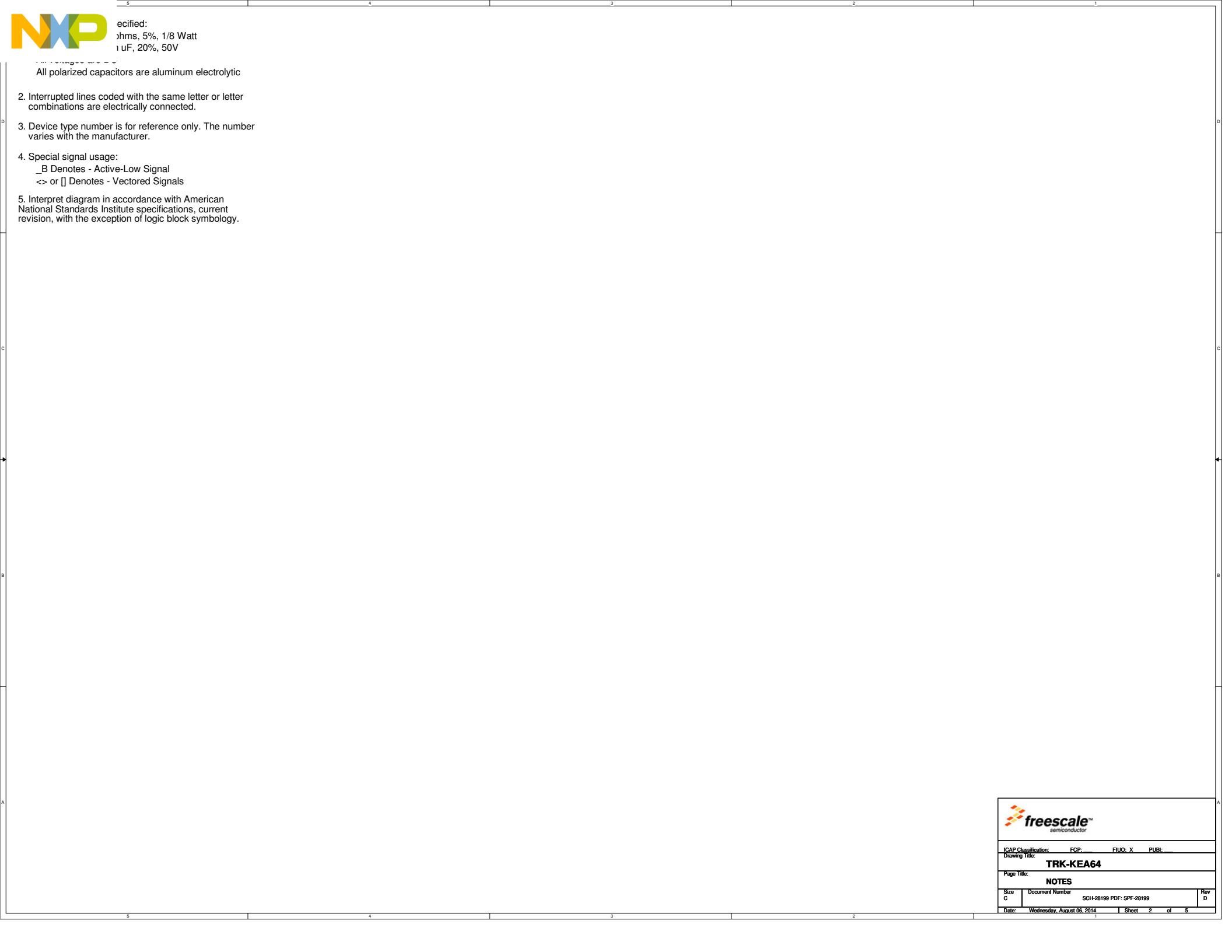
5	Contents
4	
3	
2	
1	

Revisions			
Rev	Description	Date	Approved
X1	Original Release	Nov-8-2013	A. INZUNZA
A	Production Release	Dec-2-2013	A. INZUNZA
B	Production Release	Feb-21-2013	A. INZUNZA
C	USB Power Fix	May-15-2013	A. INZUNZA

		Microcontroller Solutions Group	
		6501 William Cannon Drive West Austin, TX 78755-8689	
<small>This document contains information proprietary to Freescale Semiconductor and shall not be used for engineering design, procurement or manufacture in whole or in part without the express written permission of Freescale Semiconductor.</small>			
Designer: A. INZUNZA		ICAP Classification: FOP: FUK: X PUB:	
Drawing Title: A. INZUNZA		TRK-KEA64	
Drawn by: A. INZUNZA		Page Title: TITLE PAGE	
Approved: APPROVER		Size C	Document Number SCH-28199 PDF: SPF-28199
Date: Wednesday, August 06, 2014		Sheet 1	of 5

D
C
B
A

D
C
B
A

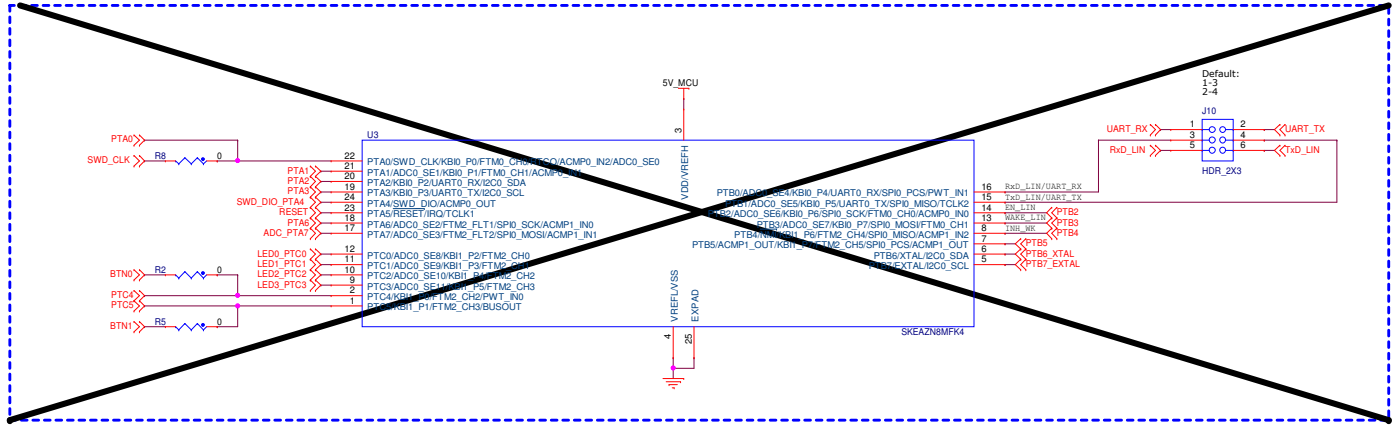
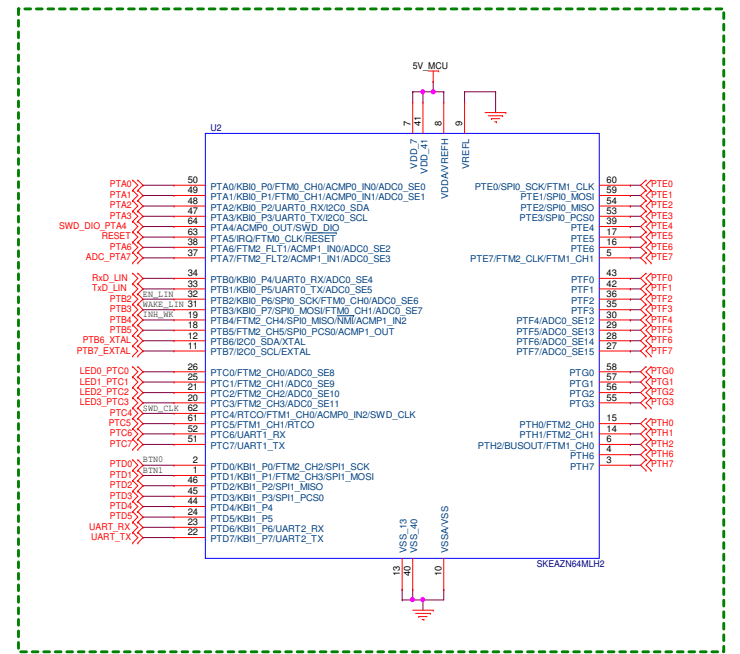
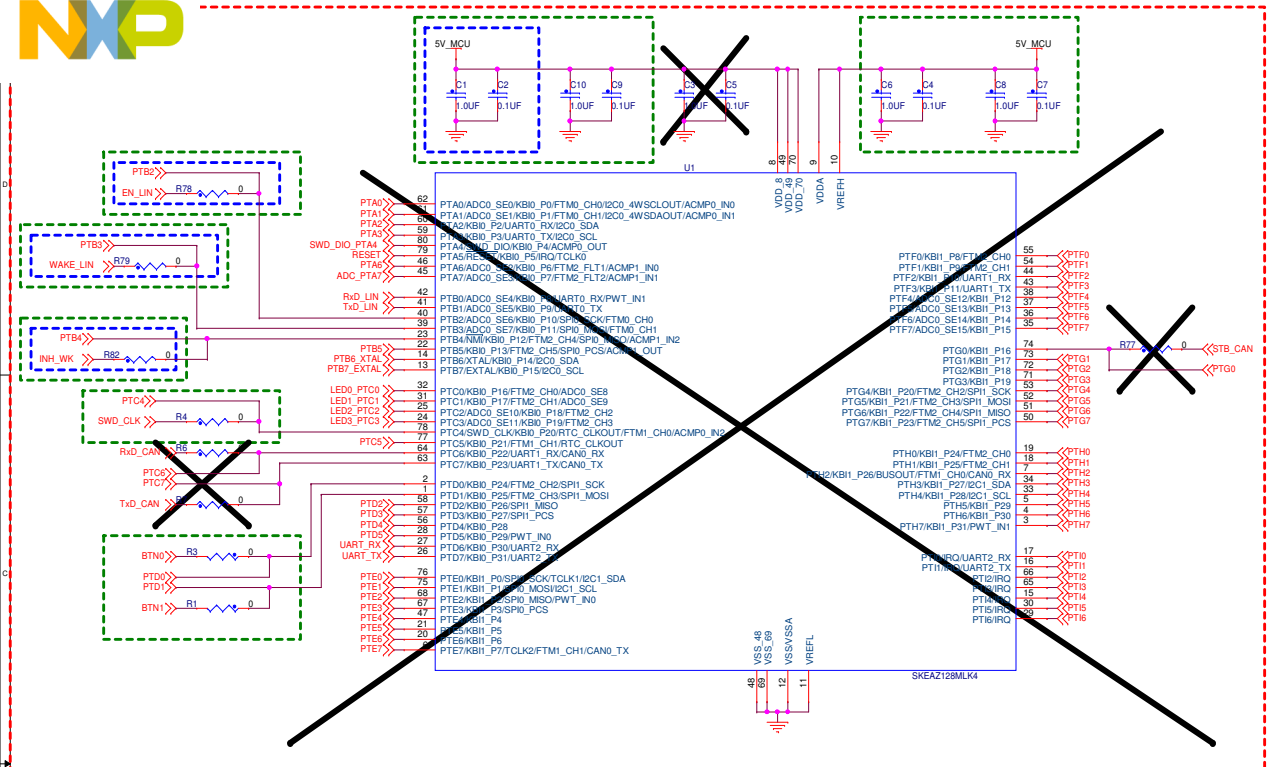


pecified:
 ohms, 5%, 1/8 Watt
 1 uF, 20%, 50V

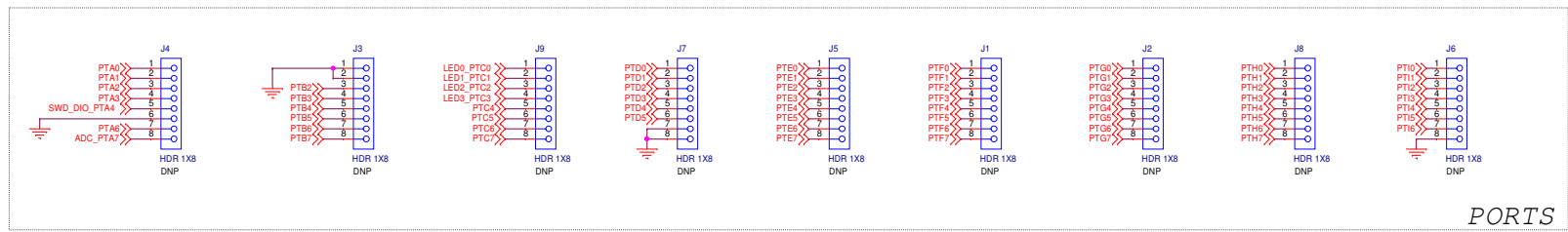
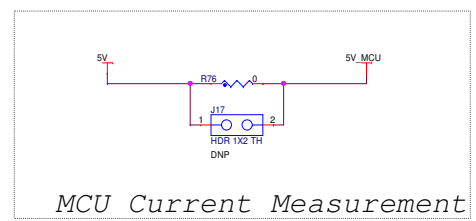
All polarized capacitors are aluminum electrolytic

2. Interrupted lines coded with the same letter or letter combinations are electrically connected.
3. Device type number is for reference only. The number varies with the manufacturer.
4. Special signal usage:
 _B Denotes - Active-Low Signal
 <> or [] Denotes - Vectored Signals
5. Interpret diagram in accordance with American National Standards Institute specifications, current revision, with the exception of logic block symbology.

ICAP Classification:		FCP:	FIUC: X PUBL:
Drawing Title:			
TRK-KEA64			
Page Title:			
NOTES			
Size	Document Number	Rev	
C	SCH-28199 PDF: SPF-28199	D	
Date:	Wednesday, August 06, 2014	Sheet	2 of 5

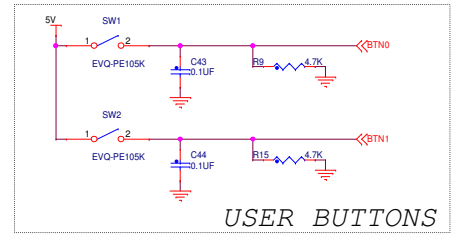
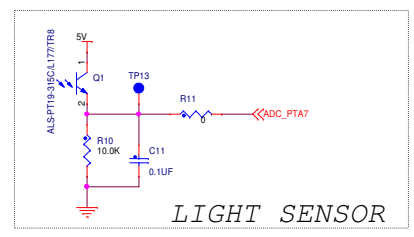
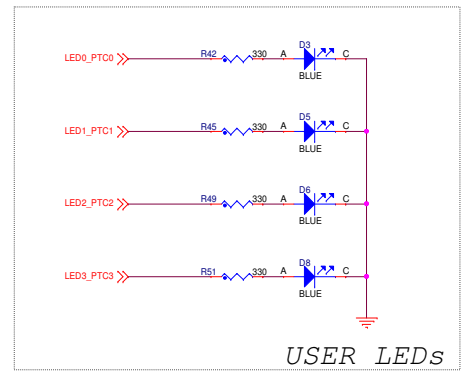
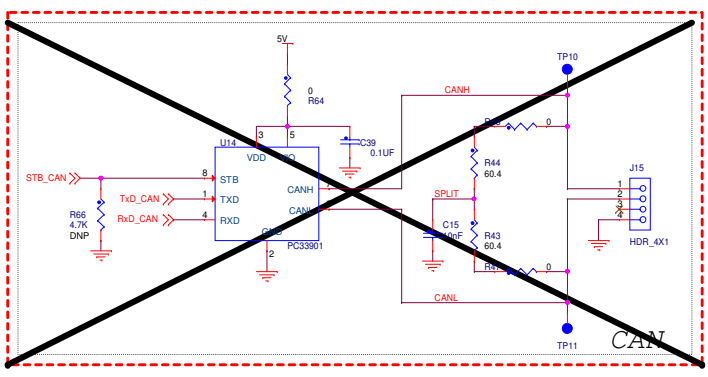
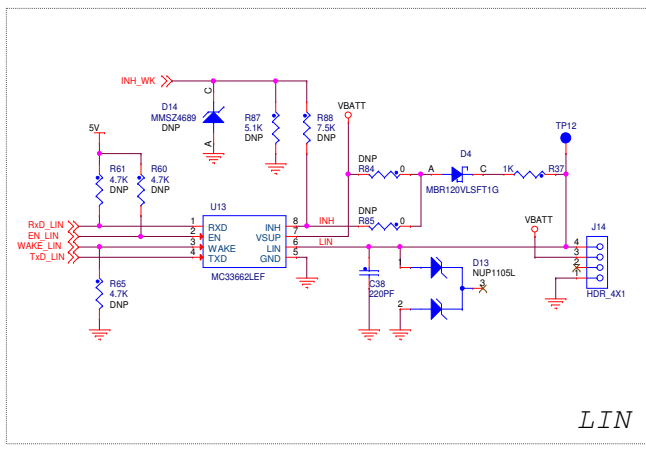
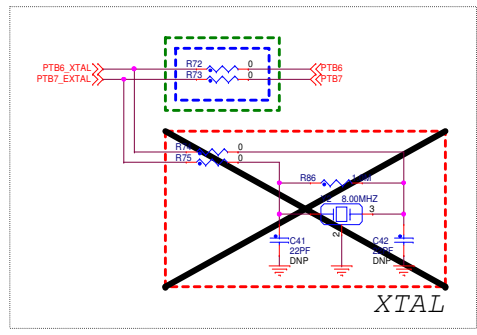
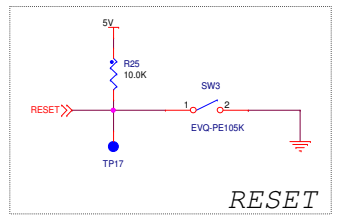
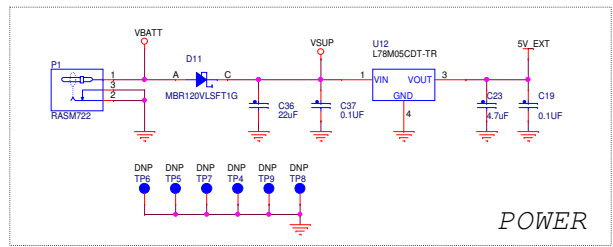
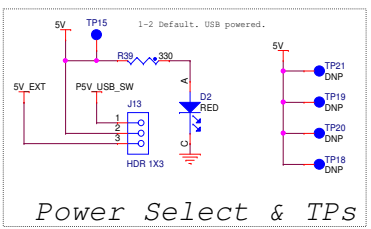
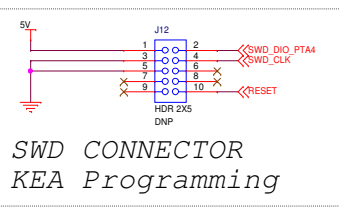


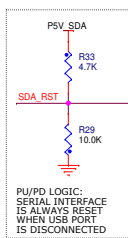
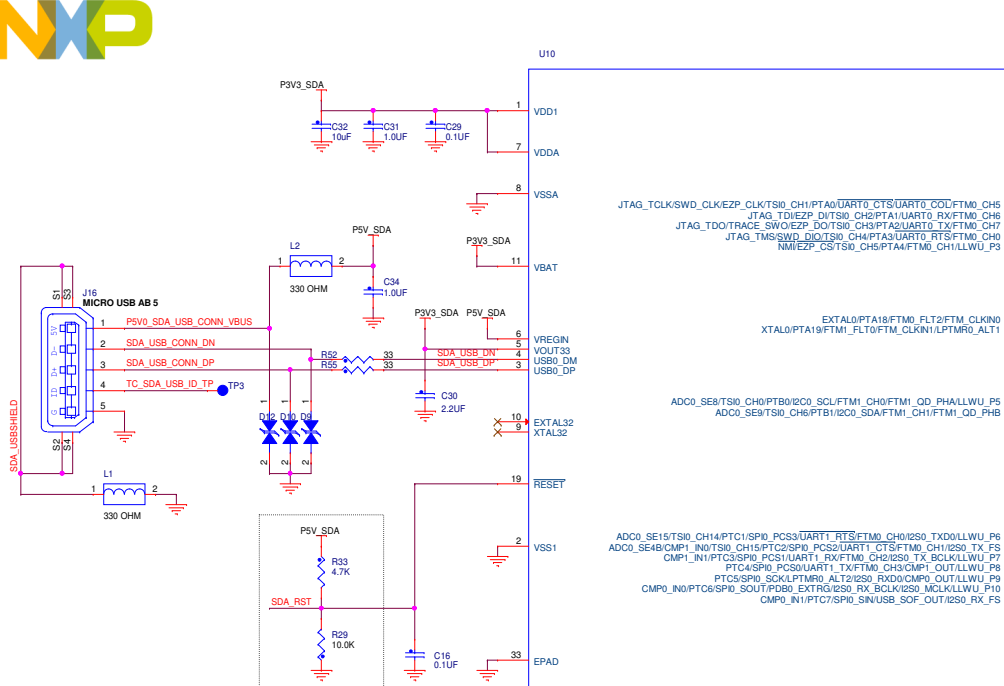
- Populated with KEA8
- Populated with KEA64
- Populated with KEA128



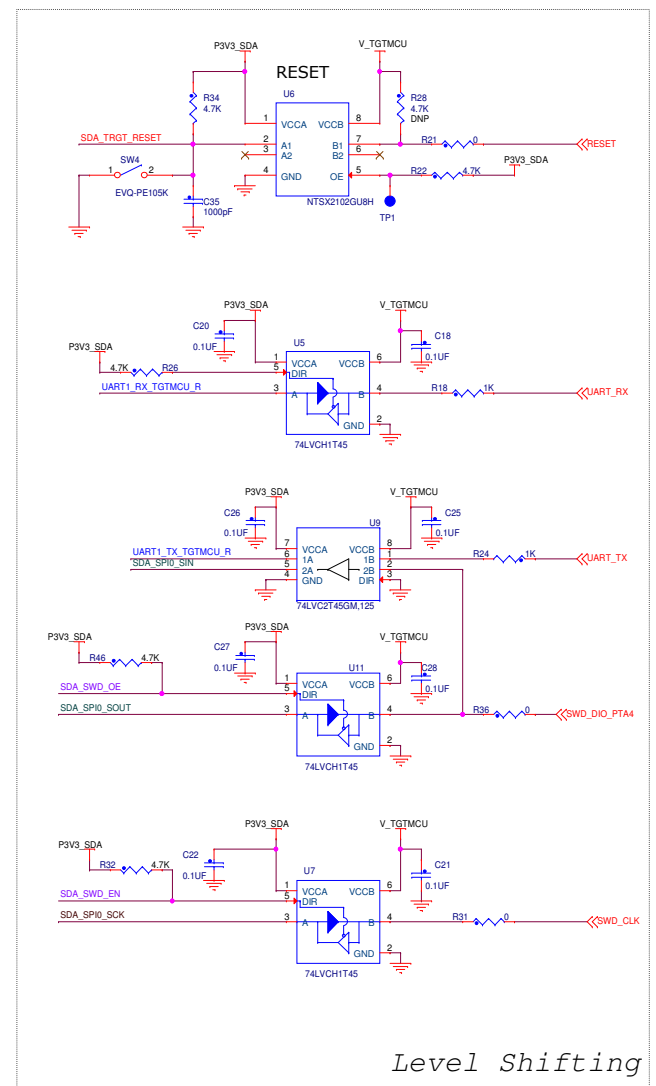
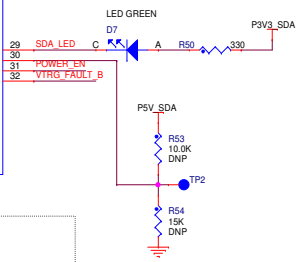
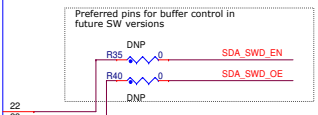
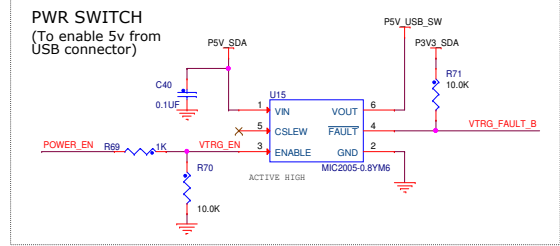
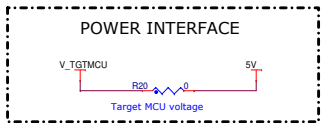
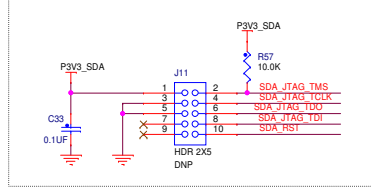
PORTS

ICAP Classification: FCP: FIUC: X PUB:
 Drawing Title: **TRK-KEA64**
 Page Title: **MCUs**
 Size C Document Number SCH-28199 PDF: SPF-28199 Rev D
 Date: Wednesday, August 06, 2014 Sheet 3 of 5





OpenSDA INTERFACE JTAG CONNECTOR



Level Shifting



ICAP Classification: FCP:		FIUC: X		PUBI:	
Drawing Title: TRK-KEA64					
Page Title: OpenSDA					
Size C	Document Number: SCH-28199 PDF: SPF-28199				Rev D
Date: Wednesday, August 06, 2014 Sheet 5 of 5					