

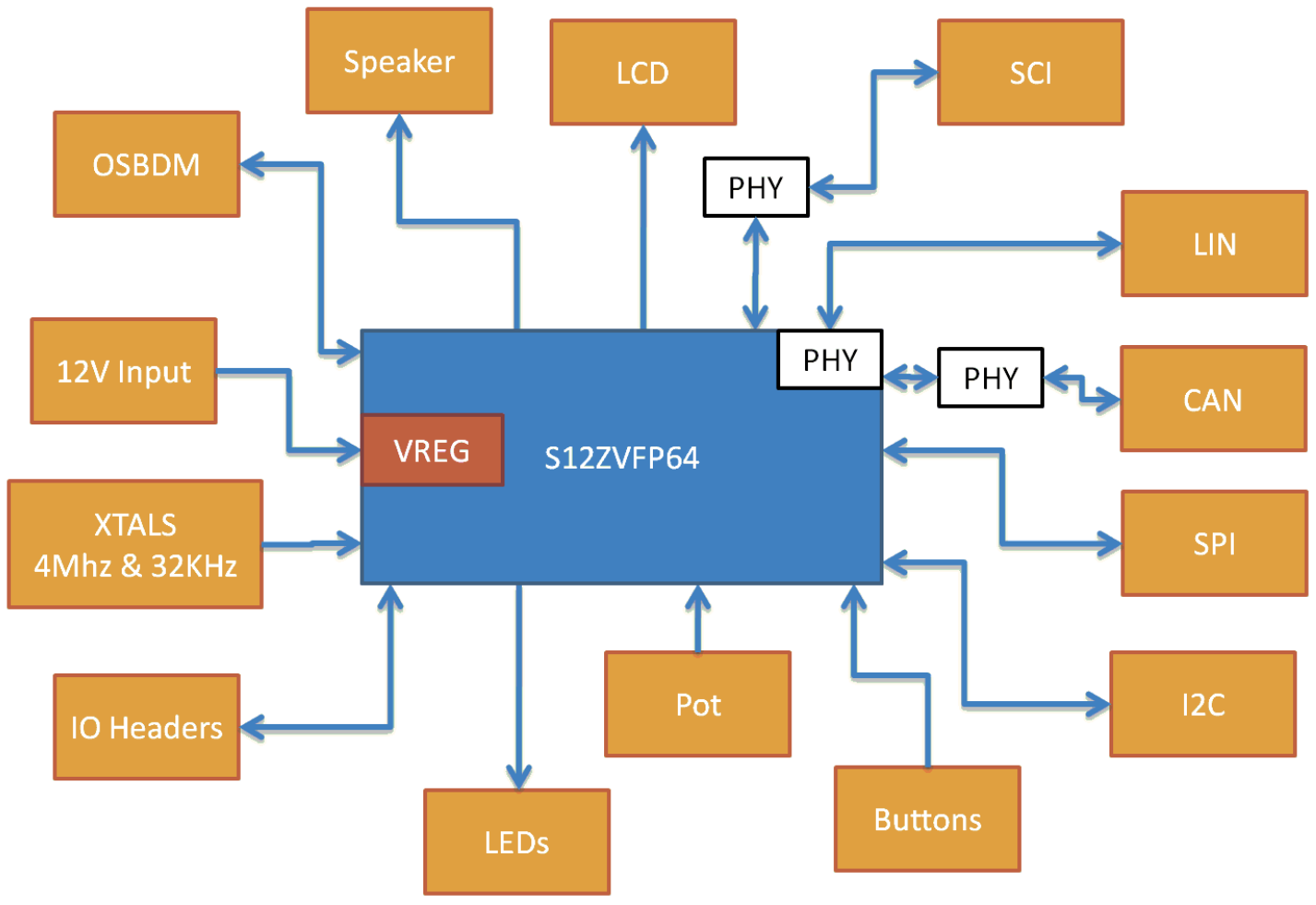


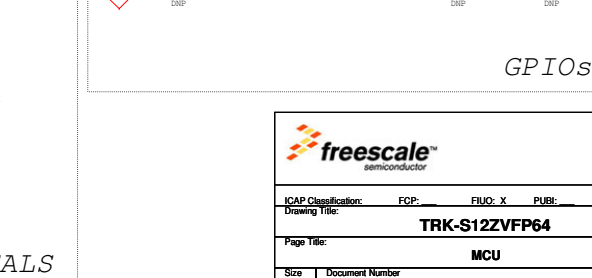
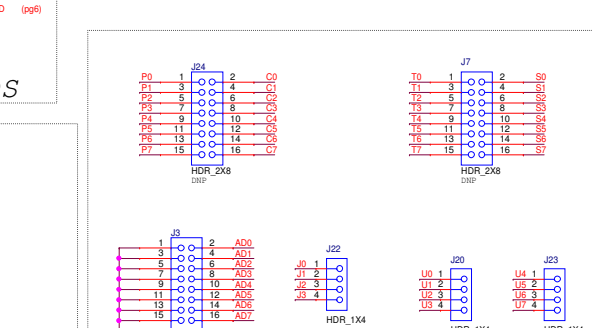
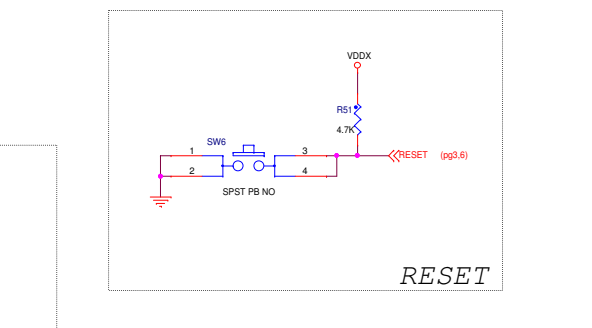
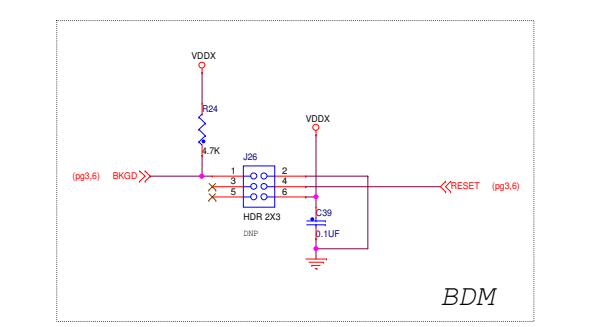
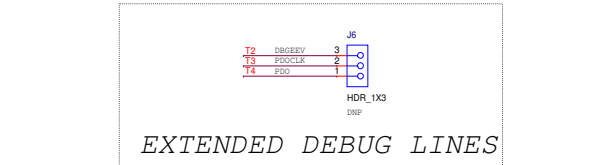
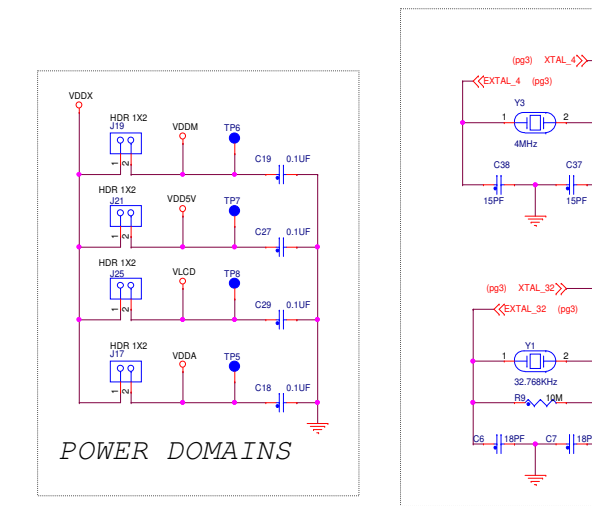
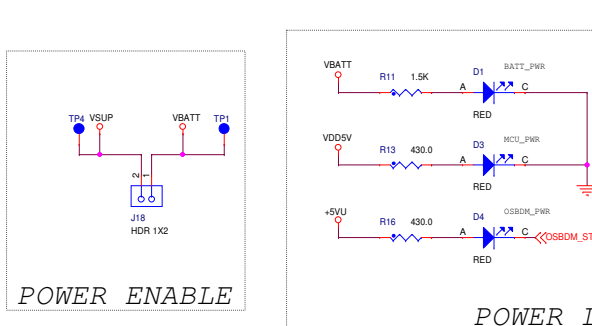
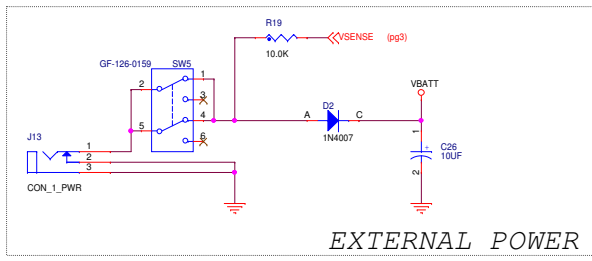
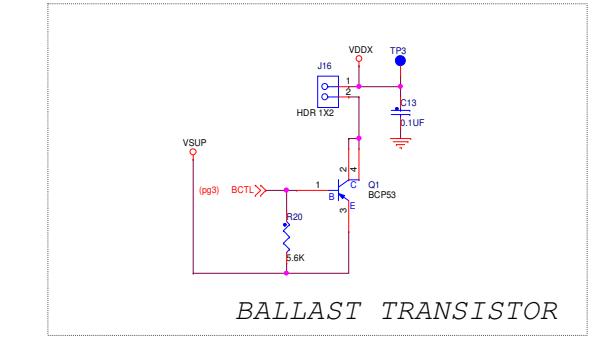
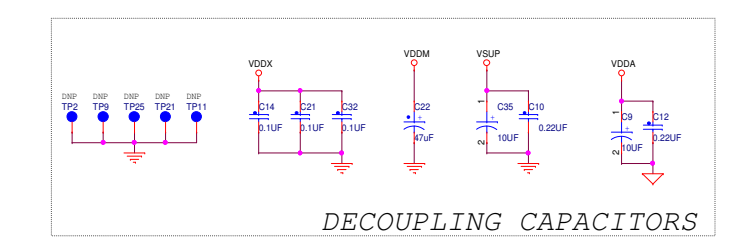
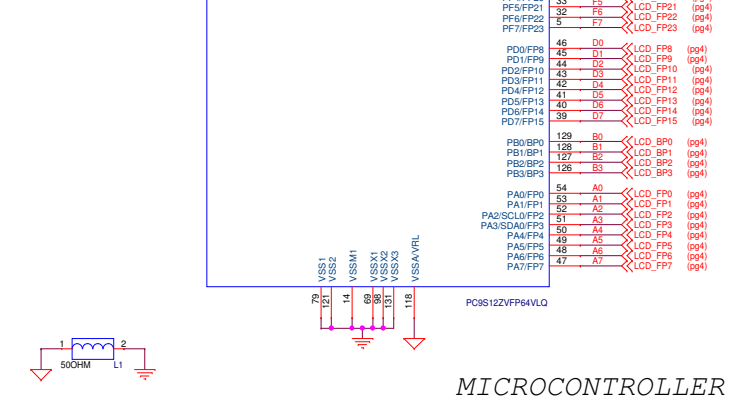
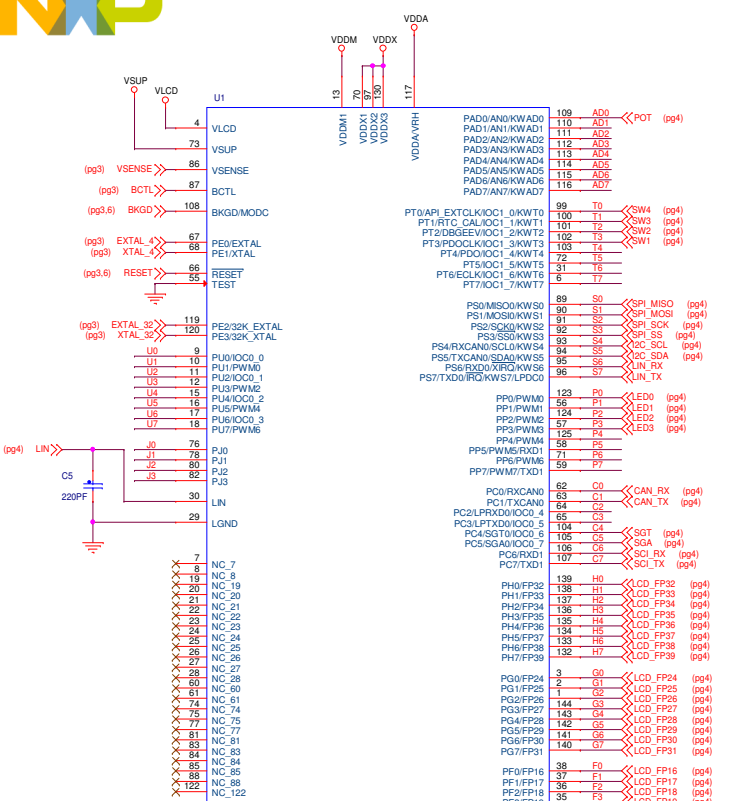
| | |
|---|-----------------|
| 5 | Contents |
| 5 | COMMUNICATIONS |
| 5 | OSBDM |

| Revisions | | | |
|-----------|---------------------|-------------|------------|
| Rev | Description | Date | Approved |
| X | Original Release | 17-JAN-2013 | A. INZUNZA |
| A | Production Release | 11-FEB-2013 | A. INZUNZA |
| A1 | DNF some components | 22-OCT-2013 | A. INZUNZA |

| | | | |
|--|--|---|---|
| | | Microcontroller Solutions Group 6501 William Cannon Drive West Austin, TX 78735-8699 | |
| <small>This document contains information proprietary to Freescale Semiconductor and shall not be used for engineering design, procurement or manufacture in whole or in part without the express written permission of Freescale Semiconductor.</small> | | | |
| Designer: A. INZUNZA | Drawing Title: TRK-S12ZVFP64 | ICAP Classification: FCP: | FUQ: X PUB: |
| Drawn by: A. INZUNZA | Page Title: TITLE PAGE | Size C | Document Number SCH-27860 PDF: SPF-27860 |
| Approved: APPROVER | Date: Tuesday, October 22, 2013 | Rev A1 | Sheet 1 of 5 |

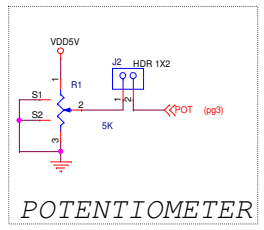
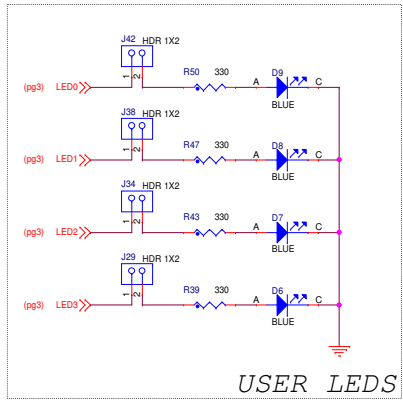
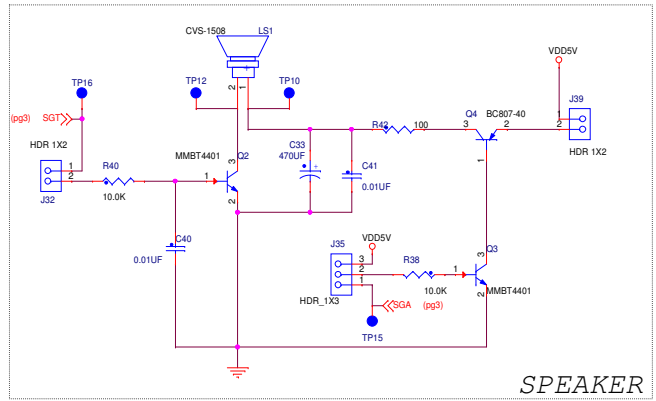
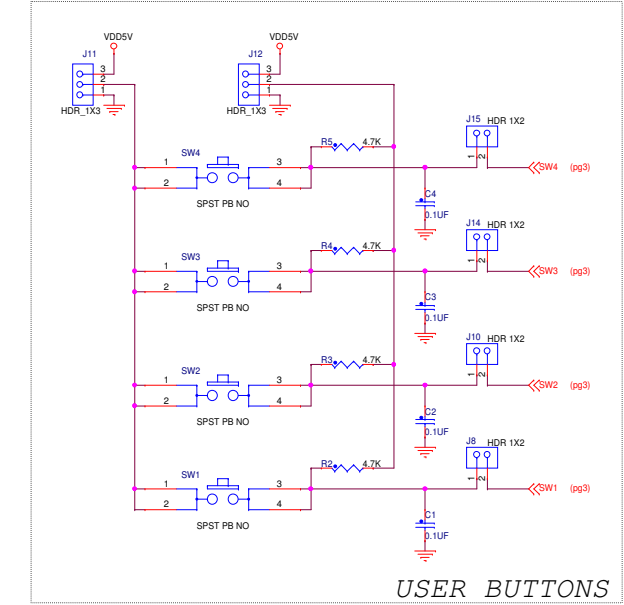
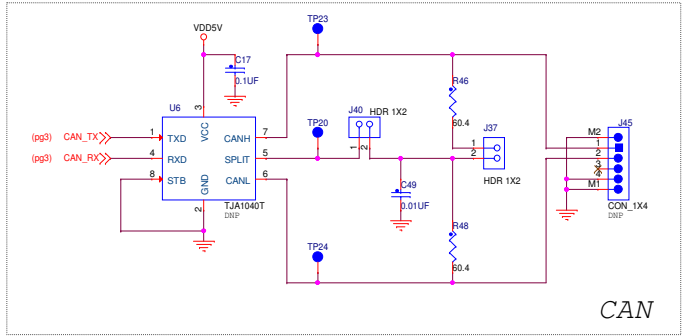
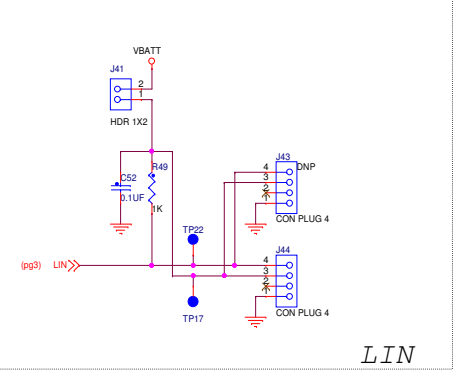
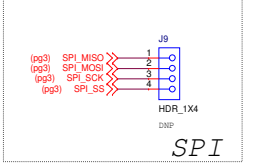
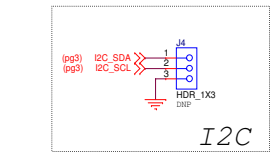
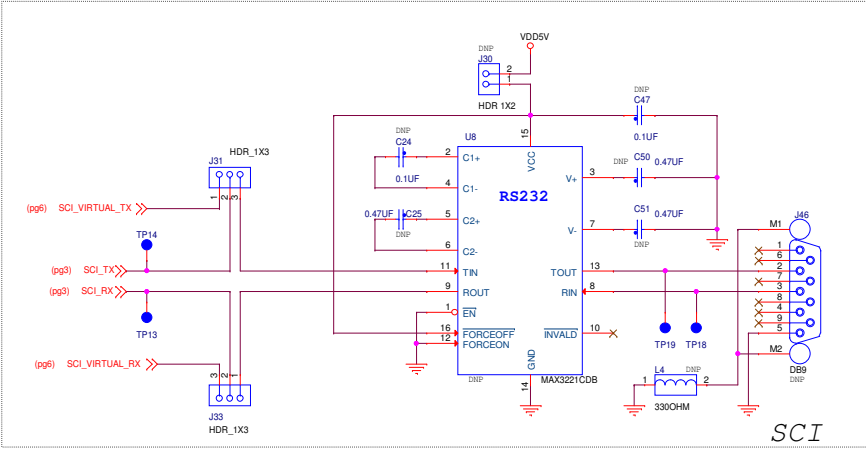
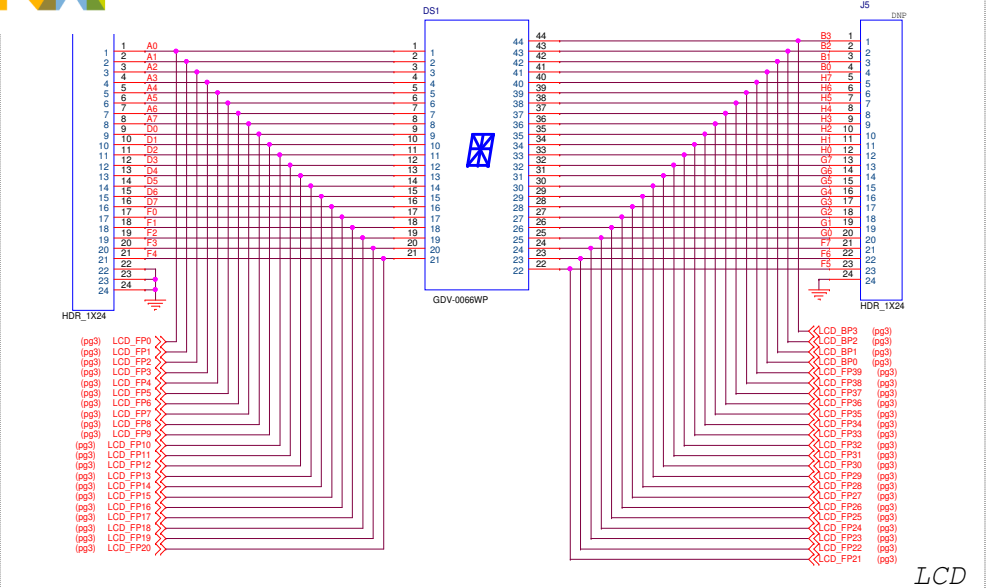
2. Interrupted lines coded with the same letter or letter combinations are electrically connected.
3. Device type number is for reference only. The number varies with the manufacturer.
4. Special signal usage:
 _B Denotes - Active-Low Signal
 <> or [] Denotes - Vectored Signals
5. Interpret diagram in accordance with American National Standards Institute specifications, current revision, with the exception of logic block symbology.



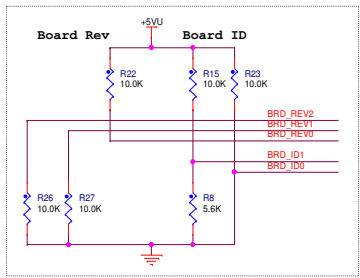
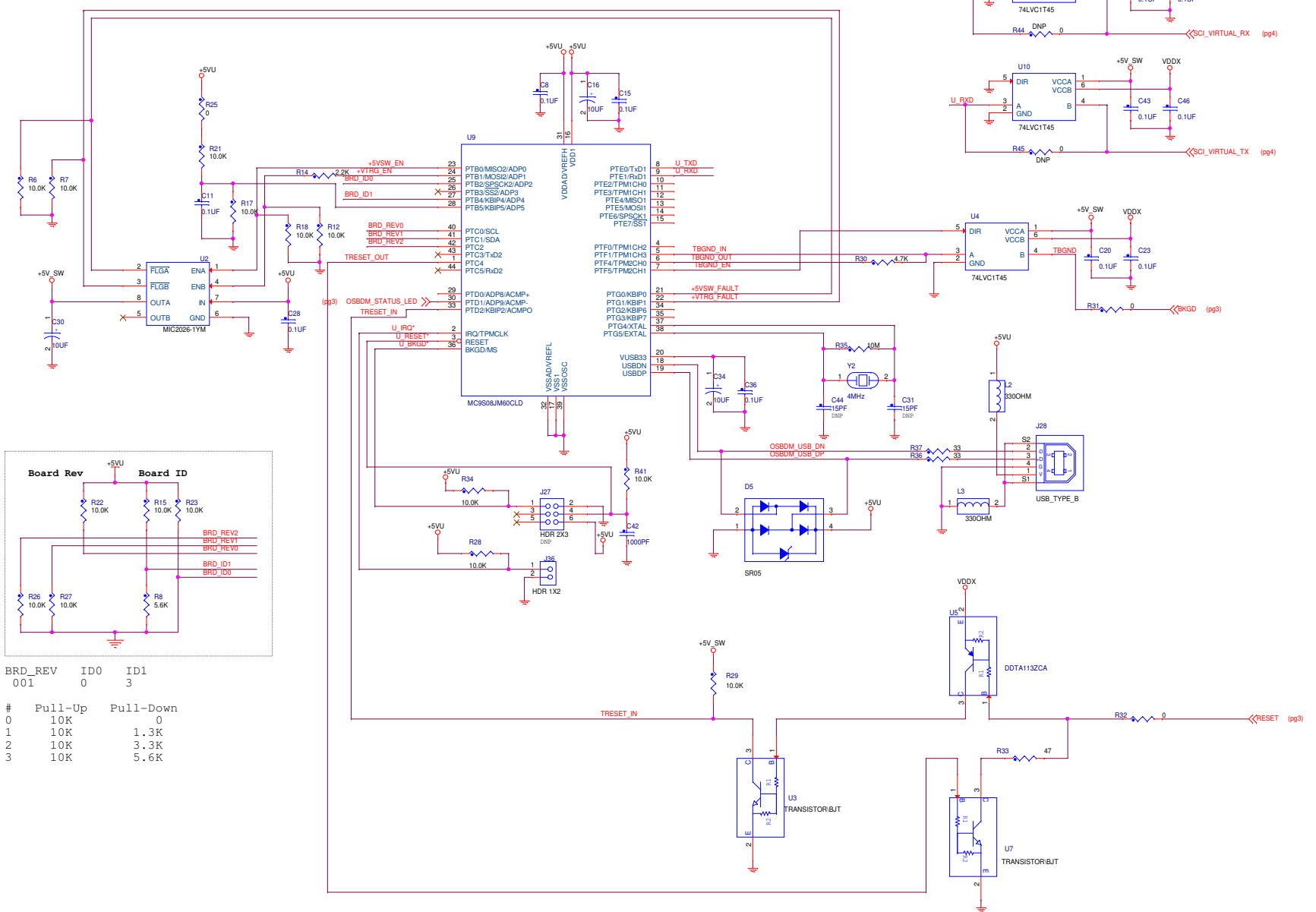


freescale semiconductor

ICAP Classification: FCP: FIUC: X PUB:
 Drawing Title: **TRK-S12ZVFP64**
 Page Title: **MCU**
 Size C Document Number SCH-27860 PDF: SPF-27860 Rev A1
 Date: Tuesday, October 22, 2013 Sheet 3 of 5



| | |
|-------------------------------------|--|
| freescale semiconductor | |
| ICAP Classification: FCP: | FIUC: X PUI: |
| Drawing Title: TRK-S12ZVFP64 | |
| Page Title: COMMUNICATIONS | |
| Size C | Document Number SCH-27860 PDF: SPF-27860 |
| Date: Tuesday, October 22, 2013 | Sheet 4 of 5 |



| BRD_REV | ID0 | ID1 |
|---------|-----|-----|
| 001 | 0 | 3 |

| # | Pull-Up | Pull-Down |
|---|---------|-----------|
| 0 | 10K | 0 |
| 1 | 10K | 1.3K |
| 2 | 10K | 3.3K |
| 3 | 10K | 5.6K |

freescale
semiconductor

ICAP Classification: FCP: FIUC: X PUBI: _____
Drawing Title: **TRK-S12ZVFP64**

Page Title: **OSBDM**

| | | |
|--------|--|--------|
| Size C | Document Number SCH-27860 PDF: SPF-27860 | Rev A1 |
|--------|--|--------|

Date: Tuesday, October 22, 2013 Sheet 6 of 6