

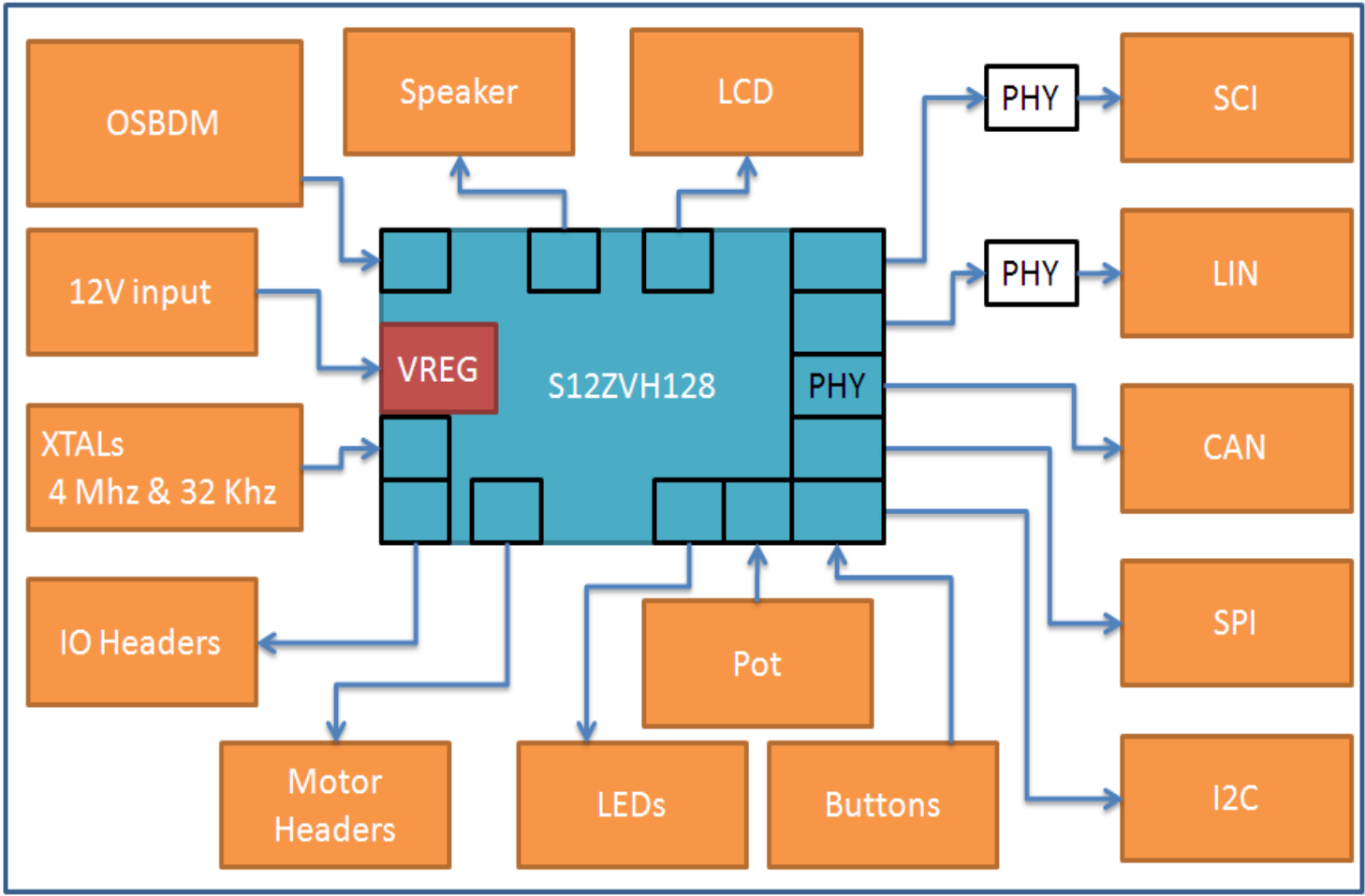


Contents	
5	OSBDM

Revisions			
Rev	Description	Date	Approved
X	Original Release	9-FEB-2012	A. INZUNZA
A	Release to production	03-APR-2012	R. DEL REY
B	Minor power fixes	16-JAN-2013	A. INZUNZA

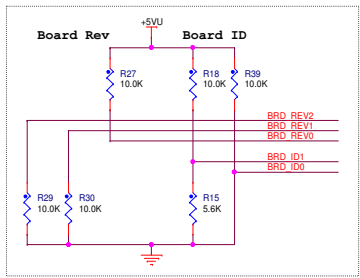
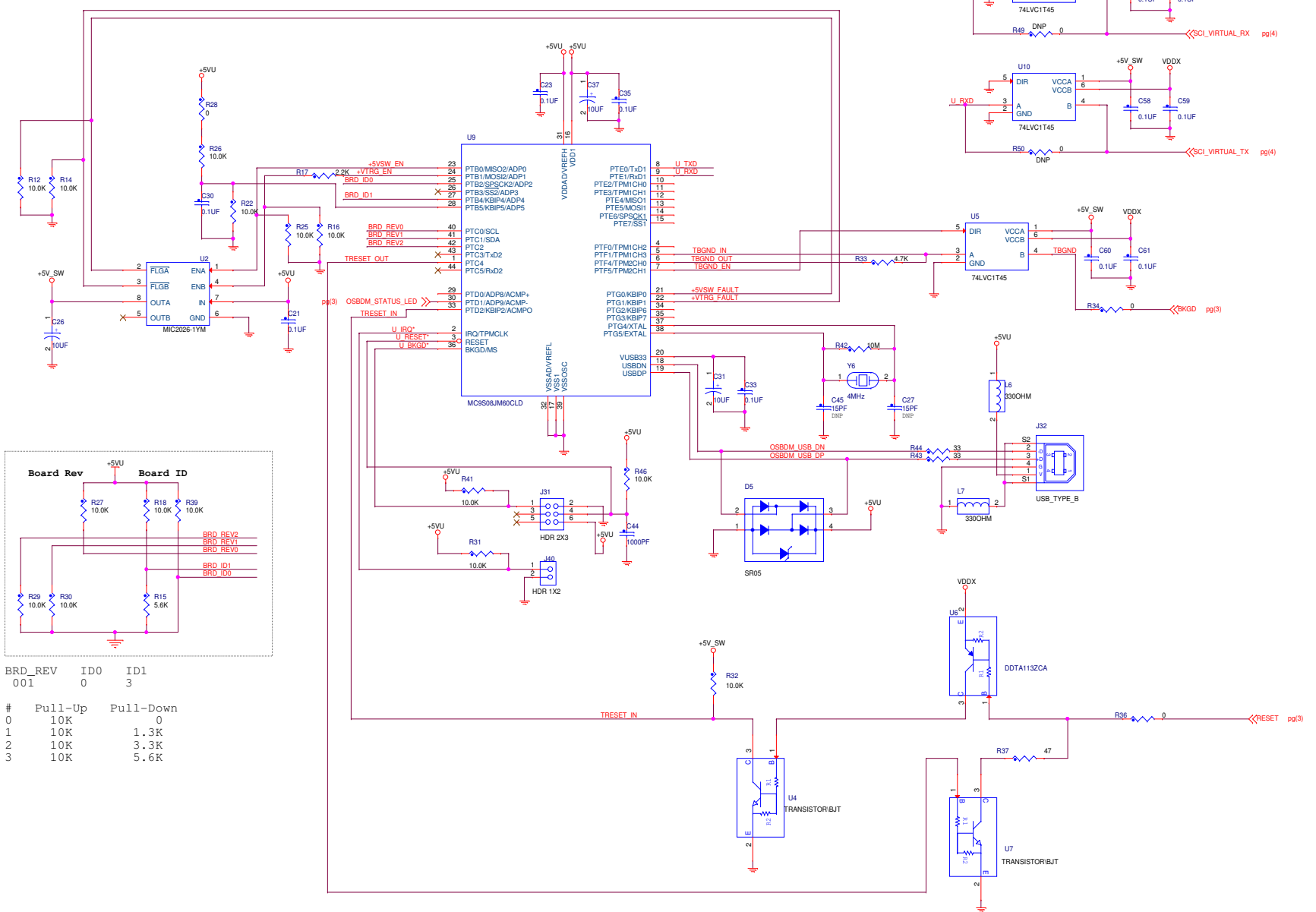
		<b>Microcontroller Solutions Group</b> 6501 William Cannon Drive West Austin, TX 78752-8689	
This document contains information proprietary to Freescale Semiconductor and shall not be used for engineering design, procurement or manufacture in whole or in part without the express written permission of Freescale Semiconductor.			
Designer: A. INZUNZA		ICAP Classification: FOP: FUC: X PUB:	
Drawn by: A. INZUNZA		Drawing Title: <b>TRK-S12ZVH128</b>	
Approved: APPROVER		Page Title: <b>TITLE PAGE</b>	
Size C	Document Number SCH-27525 PDF: SPF-27525	Rev B	
Date: Monday, June 10, 2013		Sheet 1 of 5	

2. Interrupted lines coded with the same letter or letter combinations are electrically connected.
3. Device type number is for reference only. The number varies with the manufacturer.
4. Special signal usage:  
 \_B Denotes - Active-Low Signal  
 <> or [] Denotes - Vectored Signals
5. Interpret diagram in accordance with American National Standards Institute specifications, current revision, with the exception of logic block symbology.









BRD_REV	ID0	ID1
001	0	3

#	Pull-Up	Pull-Down
0	10K	0
1	10K	1.3K
2	10K	3.3K
3	10K	5.6K

**freescale**  
semiconductor

ICAP Classification: FCP: FIUC: X PUB: \_\_\_\_\_  
Drawing Title: **TRK-S12ZVH128**

Page Title: **OSBDM**

Size C	Document Number SCH-27525 PDF: SPF-27525	Rev B
--------	--	-------

Date: Monday, June 10, 2013 Sheet 6 of 6