

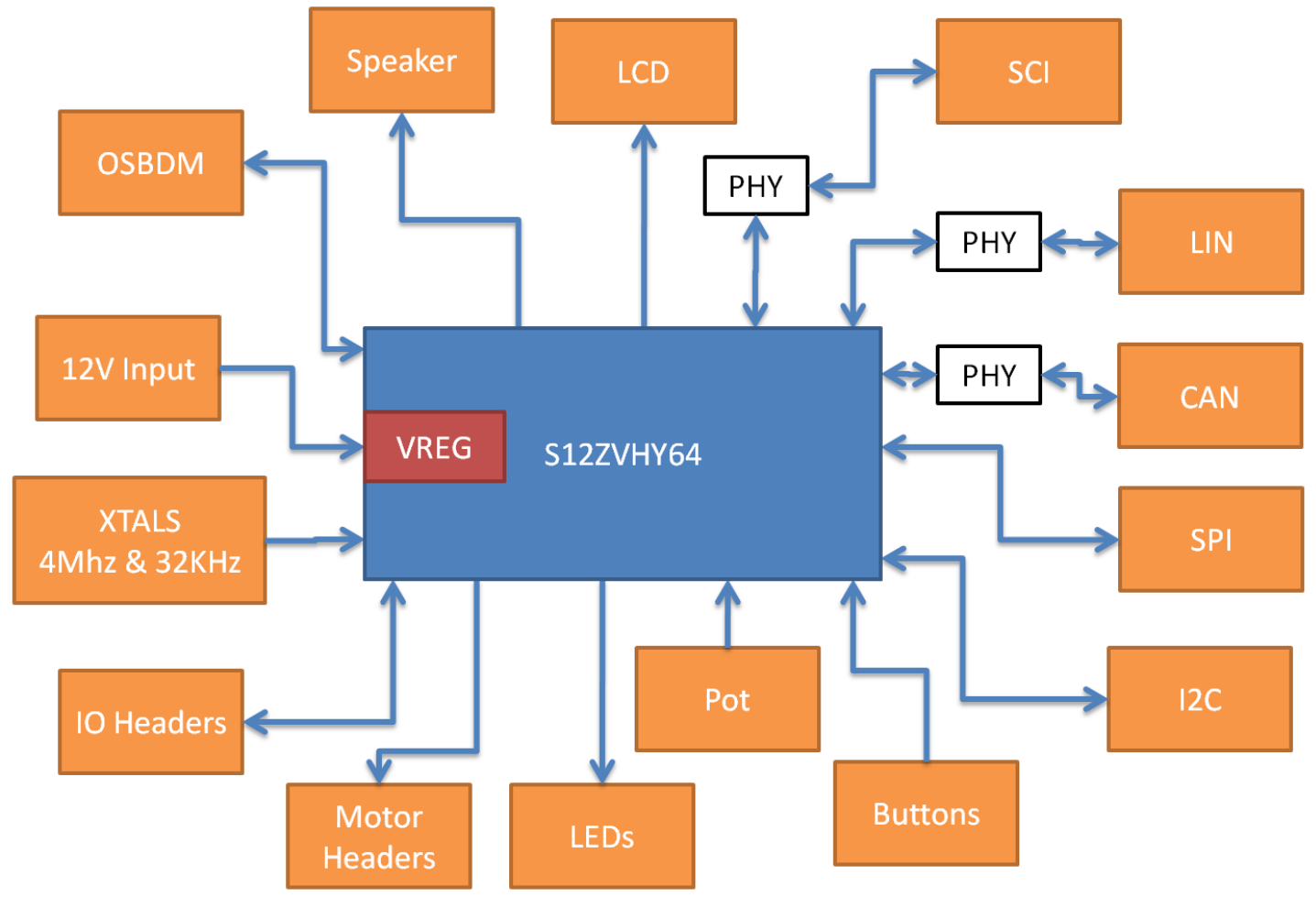


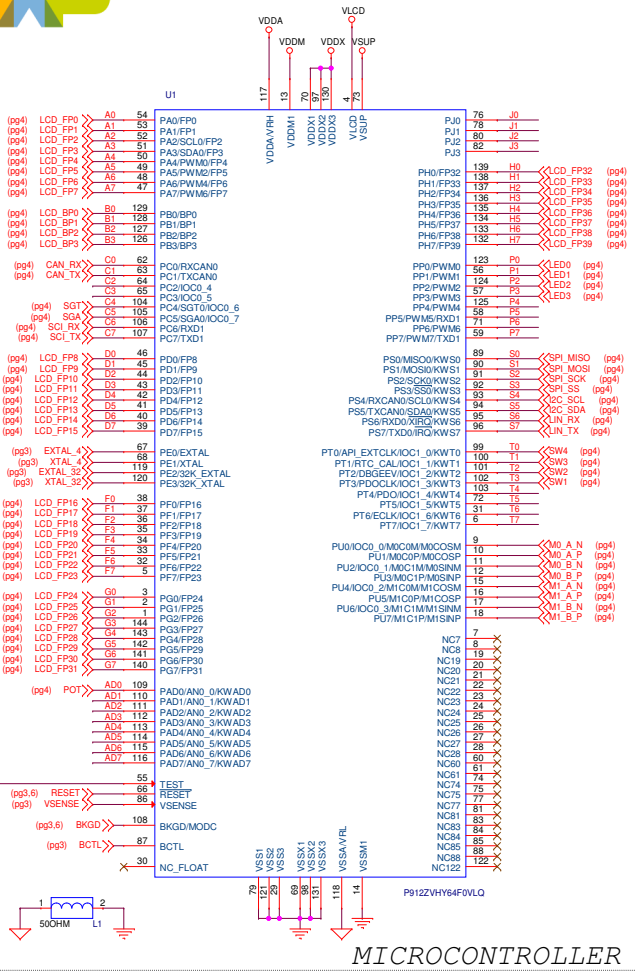
5	Contents
5	COMMUNICATORS
5	OSBDM

Revisions			
Rev	Description	Date	Approved
X	Original Release	17-JAN-2013	A. INZUNZA
A	Production Release	11-FEB-2013	A. INZUNZA
A1	DNF some components	22-OCT-2013	A. INZUNZA

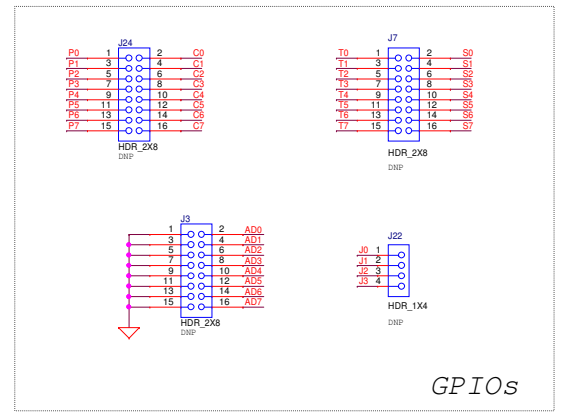
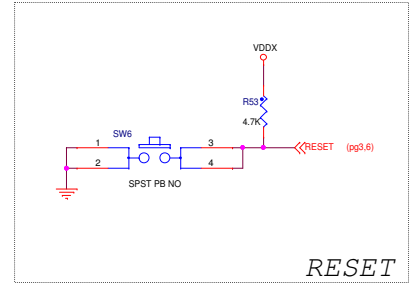
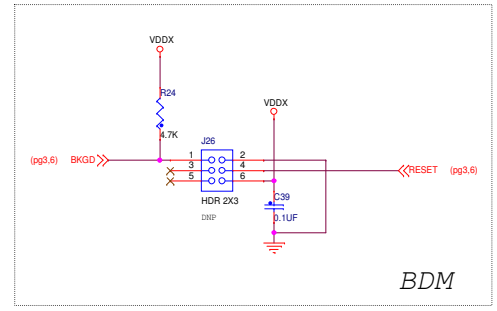
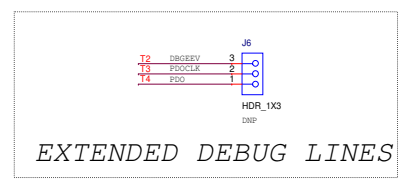
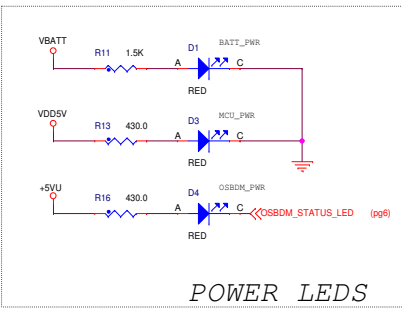
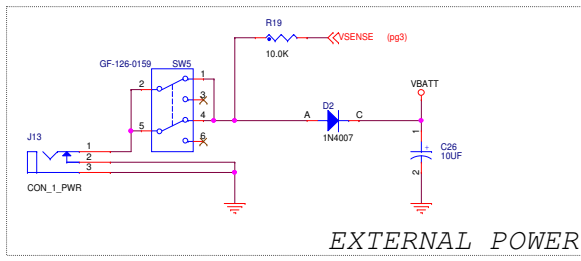
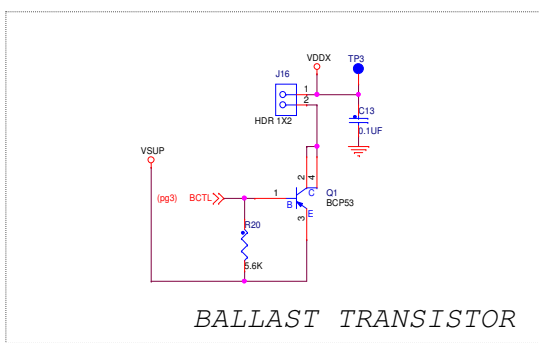
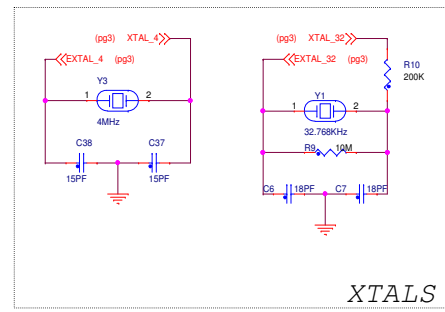
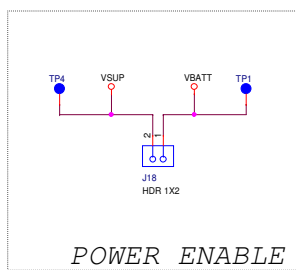
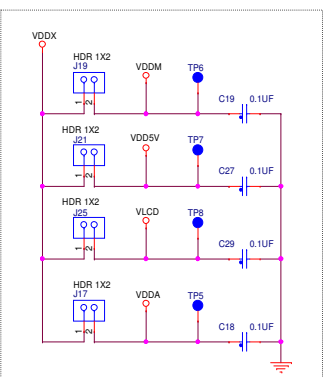
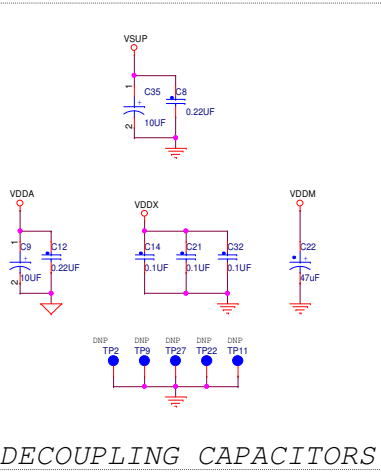
		Microcontroller Solutions Group 6501 William Cannon Drive West Austin, TX 78735-8699	
<small>This document contains information proprietary to Freescale Semiconductor and shall not be used for engineering design, procurement or manufacture in whole or in part without the express written permission of Freescale Semiconductor.</small>			
Designer: A. INZUNZA	Drawing Title: TRK-S12ZVHY64	ICAP Classification: FCP:	FUQ: X PUB:
Drawn by: A. INZUNZA	Page Title: TITLE PAGE	Size C	Document Number SCH-27859 PDF: SPF-27859
Approved: APPROVER	Date: Tuesday, October 22, 2013	Rev A1	Sheet 1 of 5

- Interrupted lines coded with the same letter or letter combinations are electrically connected.
- Device type number is for reference only. The number varies with the manufacturer.
- Special signal usage:
 _B Denotes - Active-Low Signal
 <> or [] Denotes - Vectored Signals
- Interpret diagram in accordance with American National Standards Institute specifications, current revision, with the exception of logic block symbology.





MICROCONTROLLER



freescale semiconductor

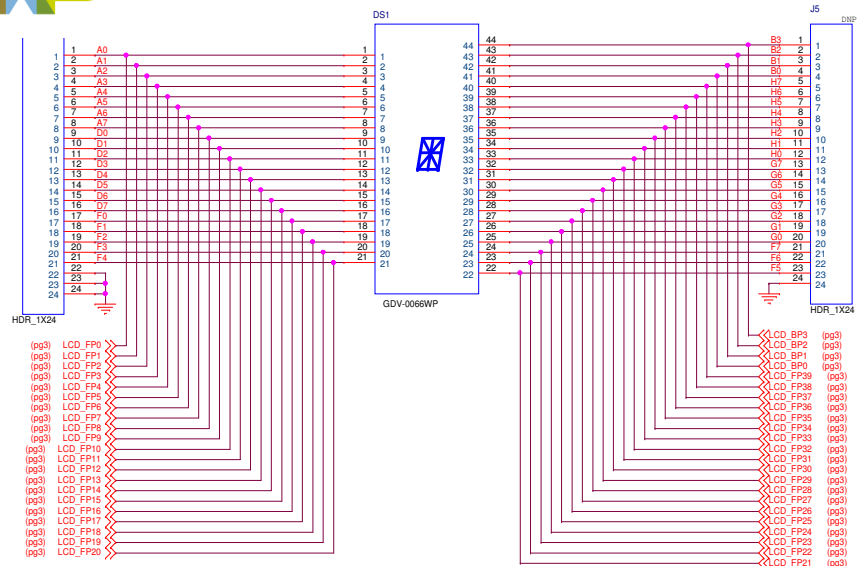
ICAP Classification: FCP: FIUC: X PUBI:

Drawing Title: **TRK-S12ZVHY64**

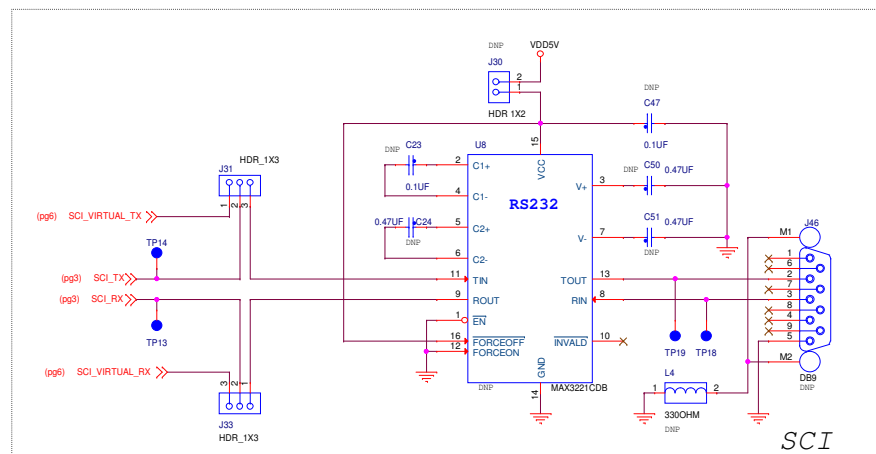
Page Title: **MCU**

Size C Document Number SCH-27859 PDF: SPF-27859 Rev A1

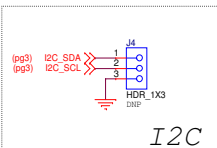
Date: Tuesday, October 22, 2013 Sheet 3 of 5



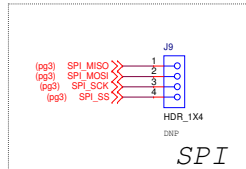
LCD



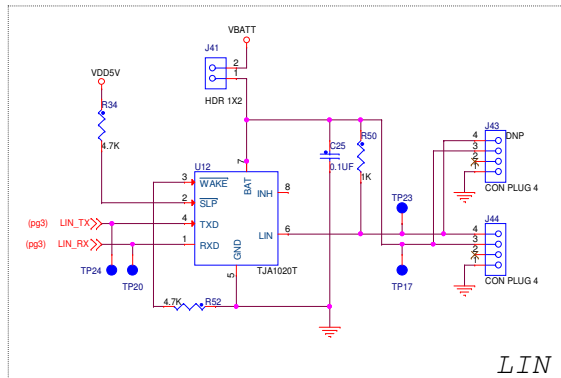
SCI



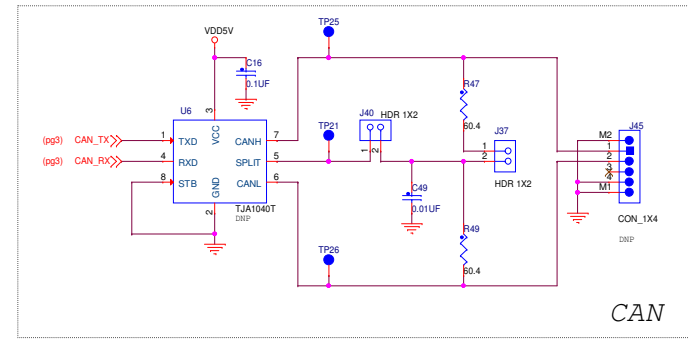
I2C



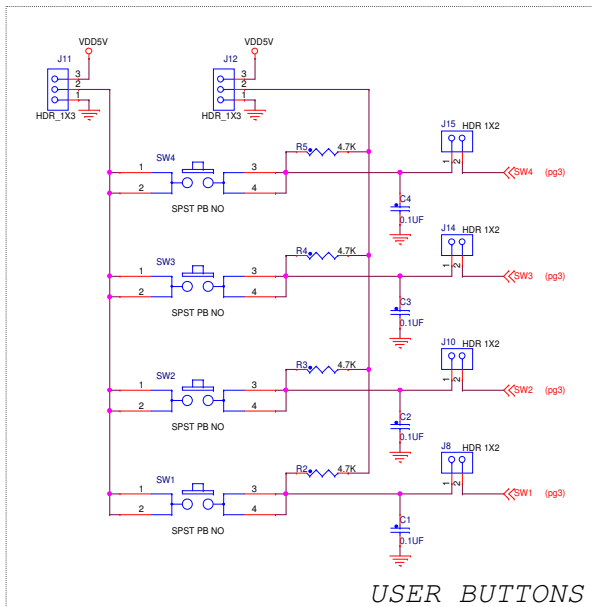
SPI



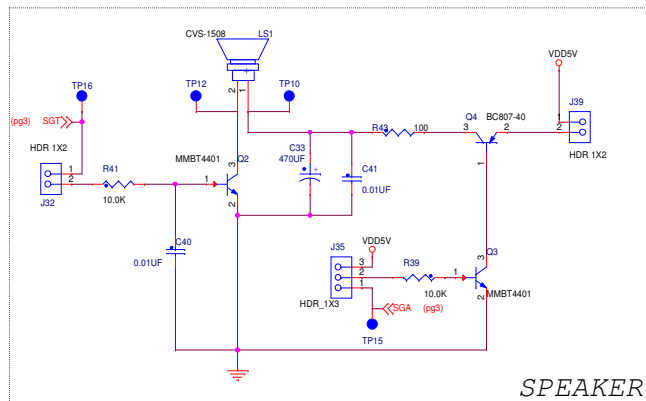
LIN



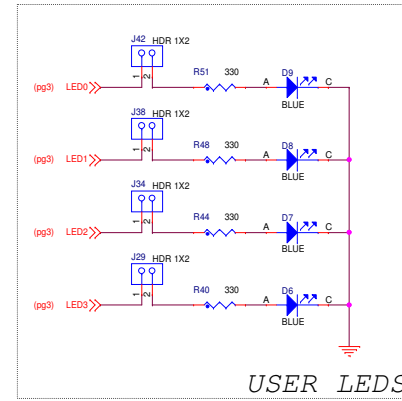
CAN



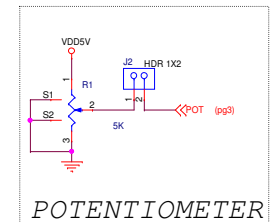
USER BUTTONS



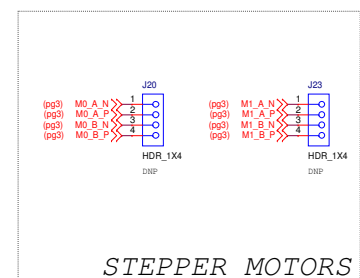
SPEAKER



USER LEDS



POTENTIOMETER



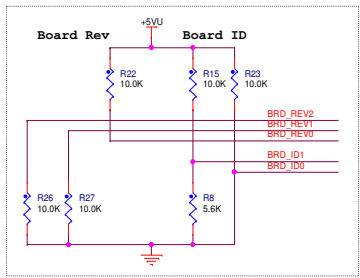
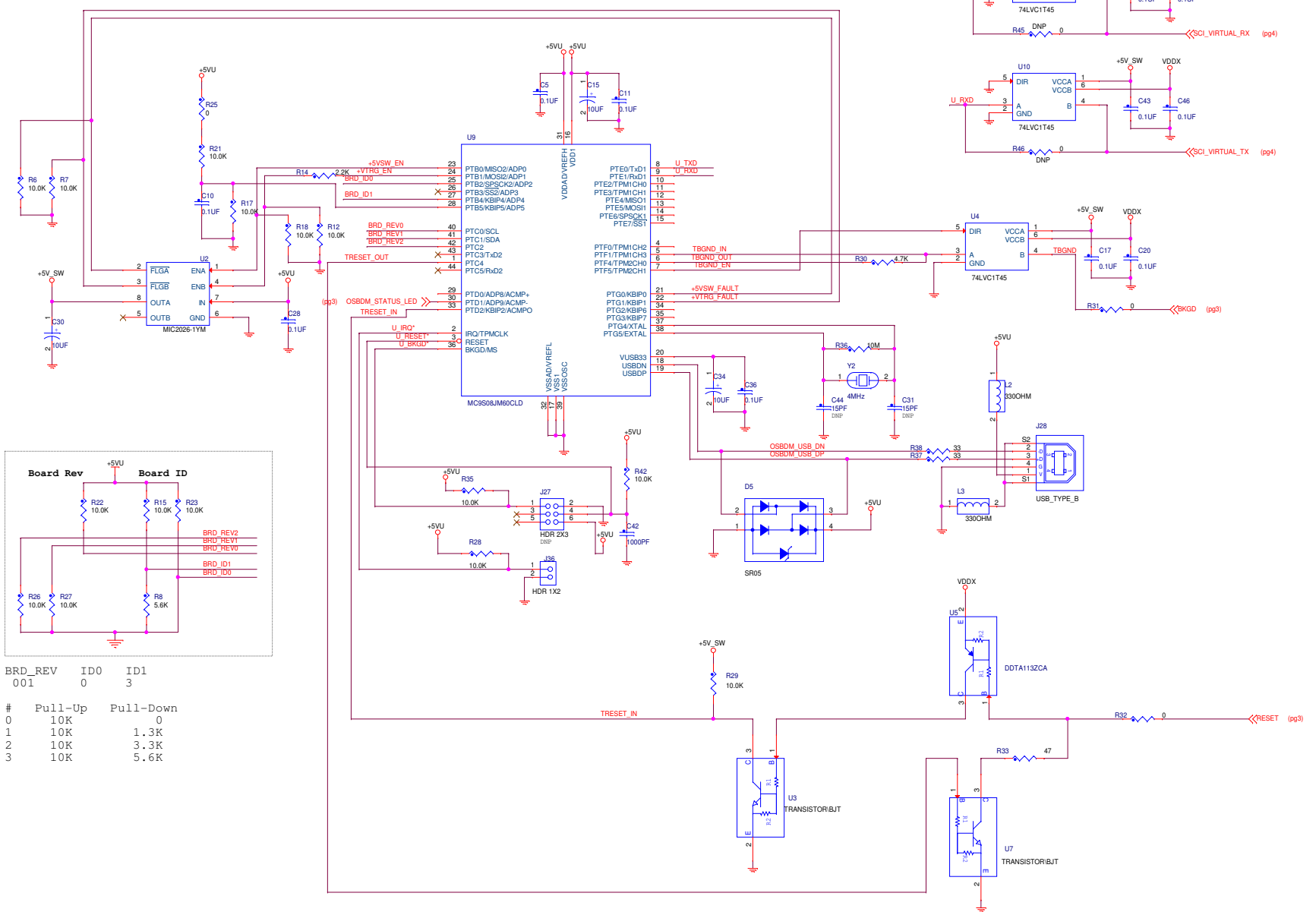
STEPPER MOTORS

freescale
semiconductor

ICAP Classification: FCP: FIUC: X PUB: _____
Drawing Title: **TRK-S12ZVHY64**

Page Title: **COMMUNICATIONS**

Size C Document Number SCH-27859 PDF: SPF-27859 Rev A1
Date: Tuesday, October 22, 2013 Sheet 4 of 5



BRD_REV	ID0	ID1
001	0	3

#	Pull-Up	Pull-Down
0	10K	0
1	10K	1.3K
2	10K	3.3K
3	10K	5.6K

