

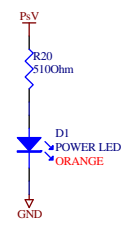
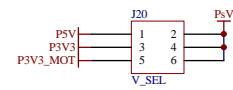
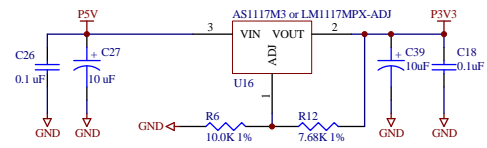
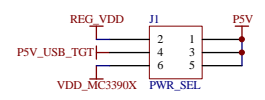
9VDC to 12VDC CENTER POSITIVE

$$1.225 < V_{ref} < 1.270$$

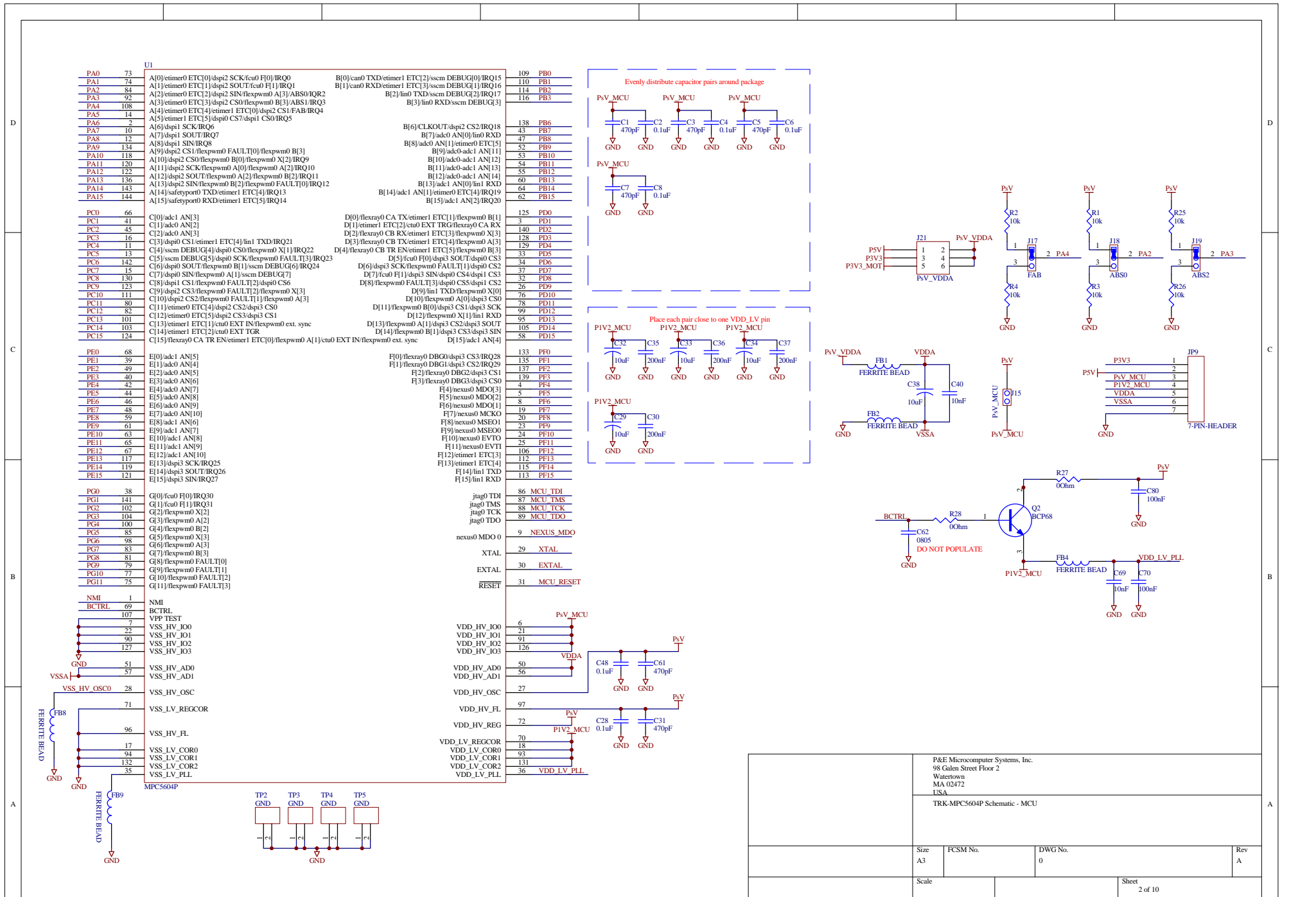
$$R_{19} = R_{18} \cdot ((V_{out} - 50\mu A \cdot R_{18}) / V_{ref} - 1)$$

$$V_{out} = V_{ref} \cdot (1 + R_{18} / R_{19}) + 50\mu A \cdot R_{18}$$

REG_VDD = 5V



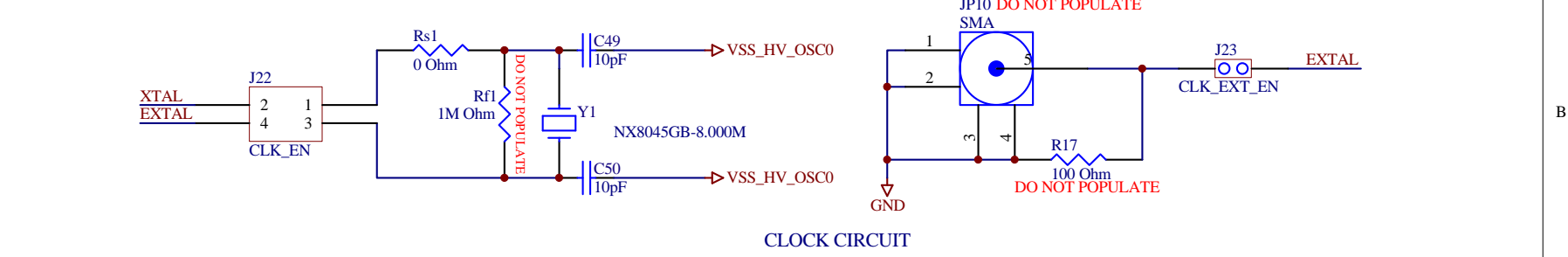
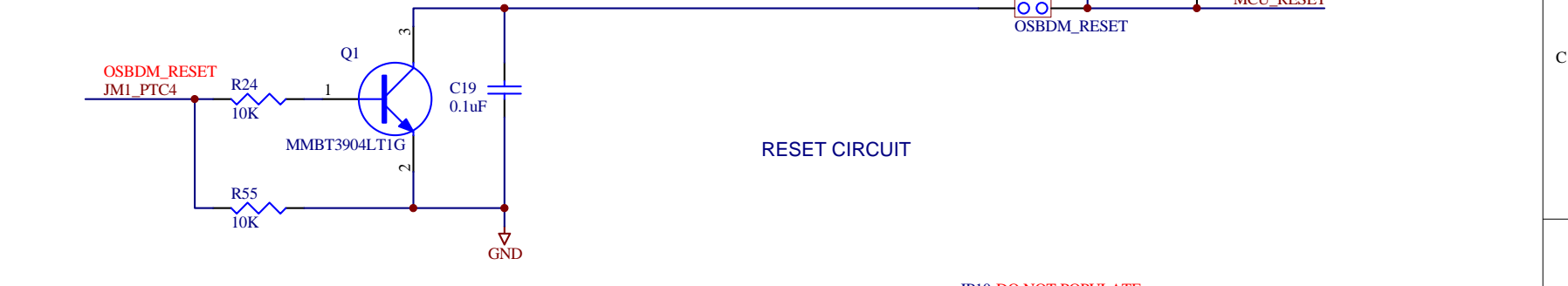
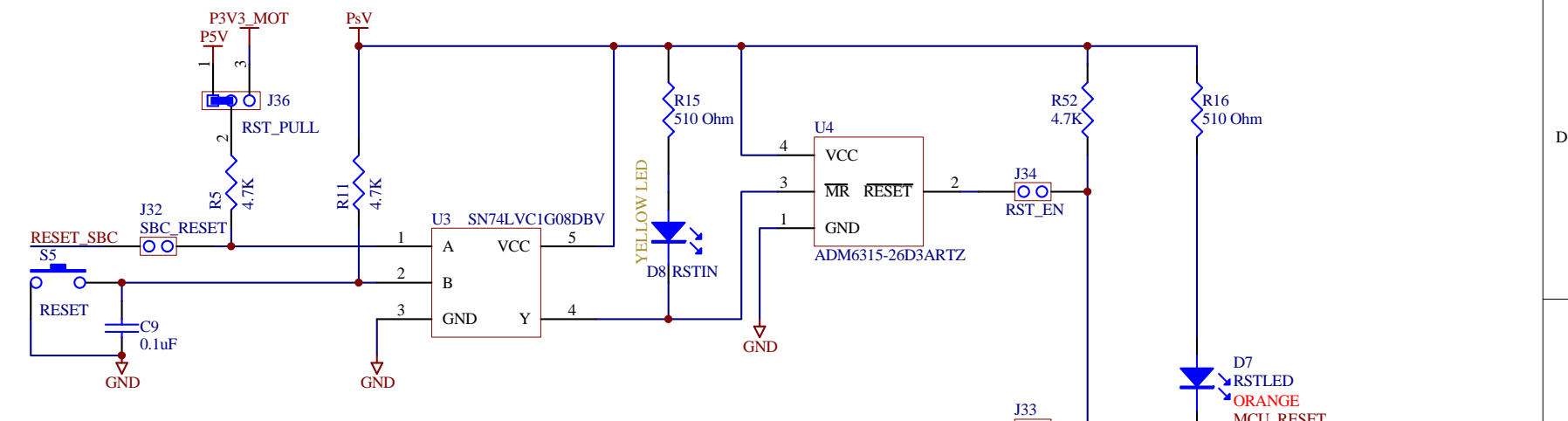
P&E Microcomputer Systems, Inc. 98 Galen Street Floor 2 Watertown MA 02472 USA			
TRK-MPC5604P Schematic - System Power			
Size B	FCSM No.	DWG No.	Rev A
Scale	Sheet 1 of 10		



P&E Microcomputer Systems, Inc. 98 Galen Street Floor 2 Watertown MA 02472 USA			
TRK-MPC5604P Schematic - MCU			
Size A3	FCSM No.	DWG No. 0	Rev A
Scale		Sheet 2 of 10	



1 2 3 4

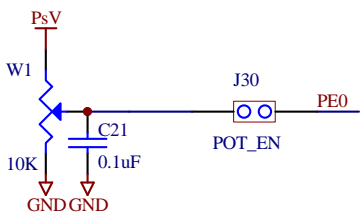


P&E Microcomputer Systems, Inc.
 98 Galen Street Floor 2
 Watertown
 MA 02472
 USA

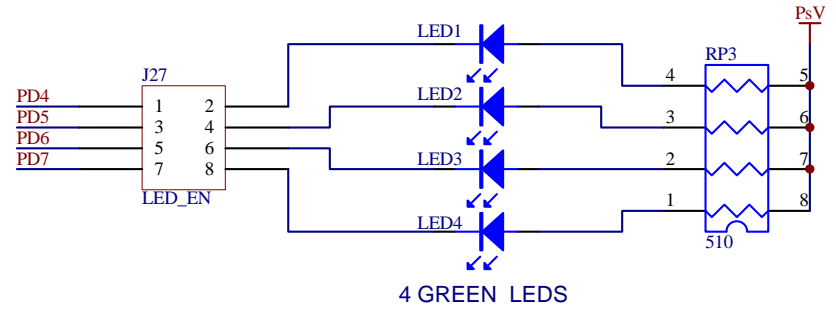
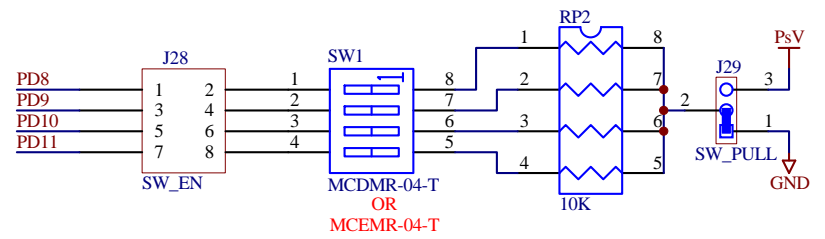
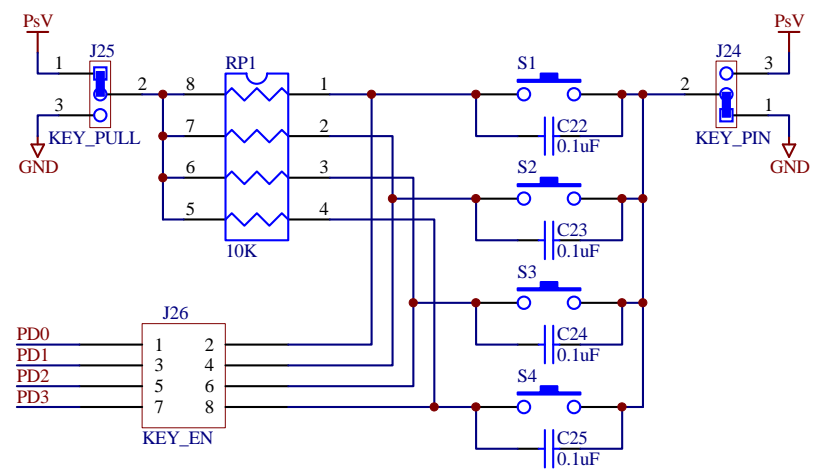
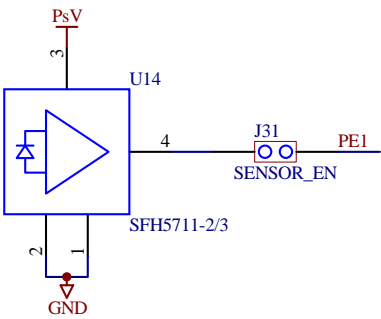
TRK-MPC5604P Schematic - Reset and Clock

Size A	FCSM No.	DWG No.	Rev A
Scale	Sheet 3 of 10		

1 2 3 4

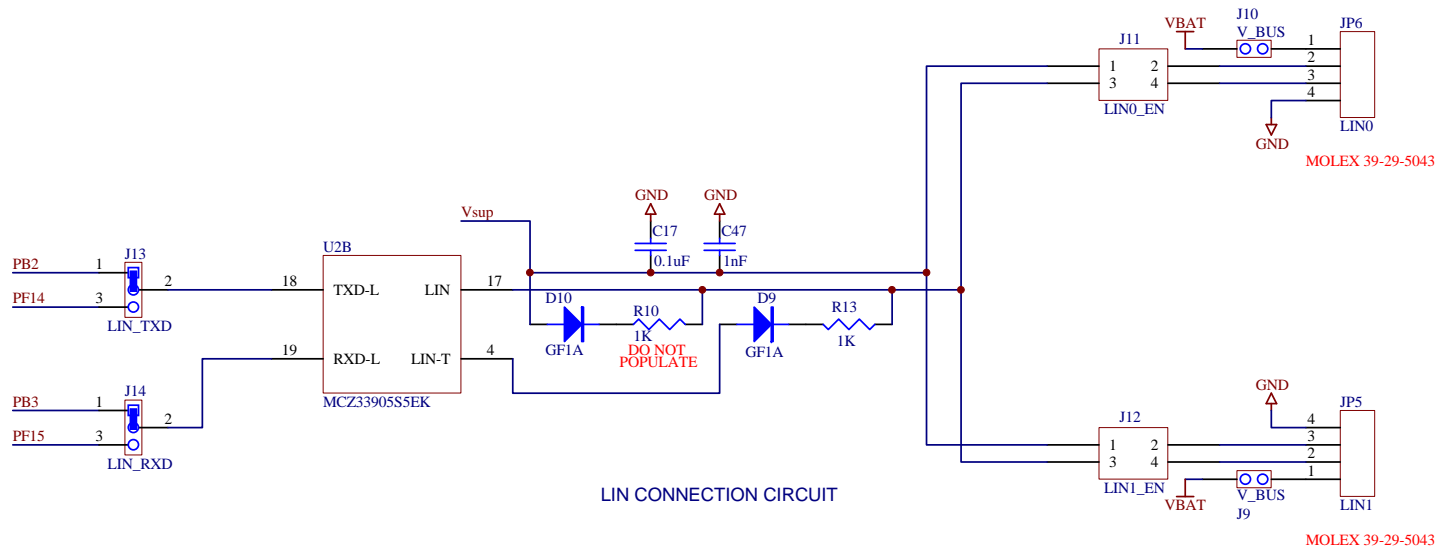


ANALOG INPUT



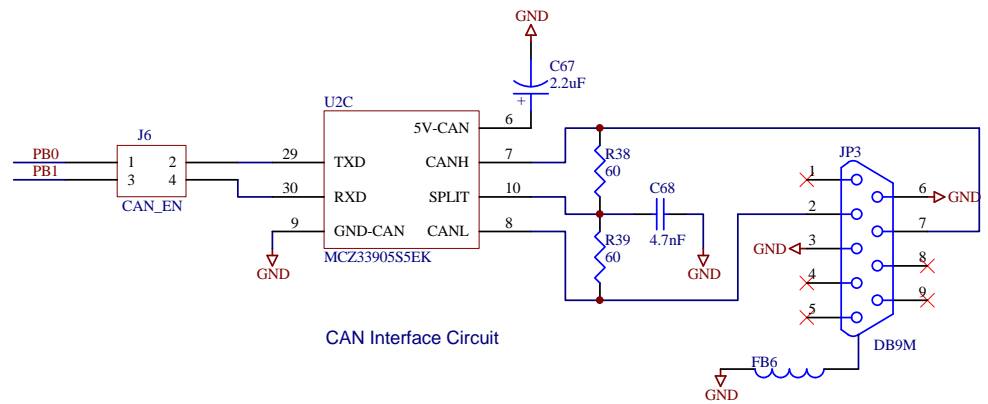
P&E Microcomputer Systems, Inc.
 98 Galen Street Floor 2
 Watertown
 MA 02472
 USA
 TRK-MPC5604P Schematic - USER IO

Size A	FCSM No.	DWG No. 0	Rev A
Scale	Sheet 4 of 10		



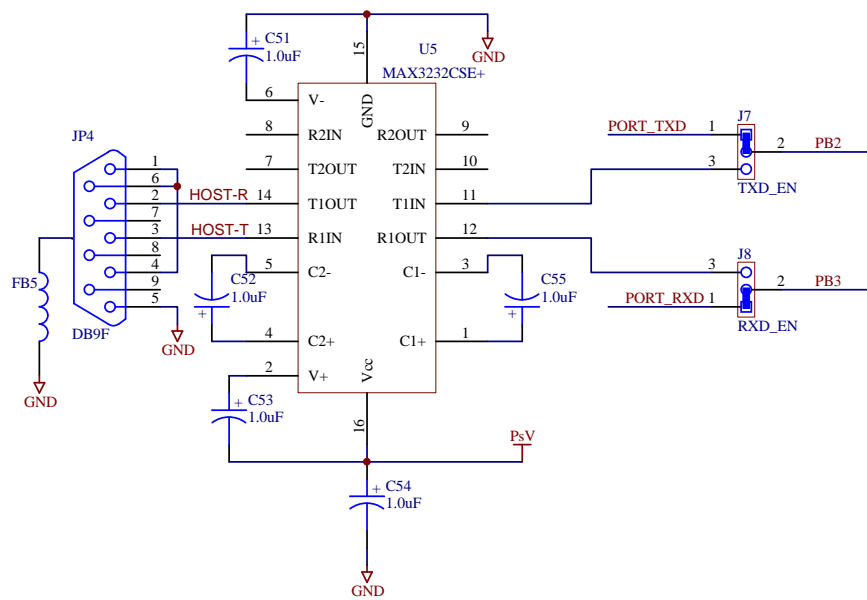
LIN CONNECTION CIRCUIT

		P&E Microcomputer Systems, Inc. 98 Galen Street Floor 2 Watertown MA 02472 USA	
		TRK-MPC5604P Schematic - LIN	
Size	FCSM No.	DWG No.	Rev
A4		0	A
Scale			Sheet 5 of 10



CAN Interface Circuit

		P&E Microcomputer Systems, Inc. 98 Galen Street Floor 2 Watertown MA 02472 USA		
		TRK-MPC5604P Schematic - CAN		
Size	FCSM No.	DWG No.	Rev	
A4		0	A	
Scale			Sheet 6 of 10	



RS232 CIRCUITRY
DO NOT POPULATE

		P&E Microcomputer Systems, Inc. 98 Galen Street Floor 2 Watertown MA 02472 USA	
		TRK-MPC5604P Schematic - RS232	
Size A4	FCSM No.	DWG No. 0	Rev A
Scale		Sheet 7 of 10	



1

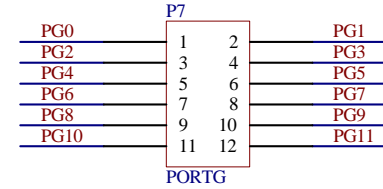
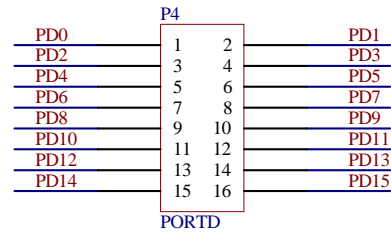
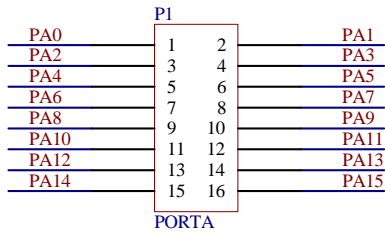
2

3

4

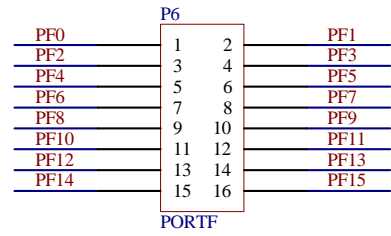
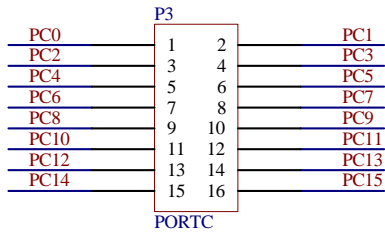
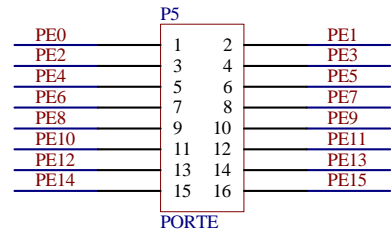
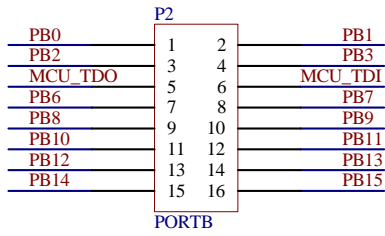
D

D



C

C



B

B

A

A

		P&E Microcomputer Systems, Inc. 98 Galen Street Floor 2 Watertown MA 02472 USA	
		TRK-MPC5604P Schematic - PORT IO	
Size A	FCSM No.	DWG No. 0	Rev A
Scale			Sheet 8 of 10

1

2

3

4

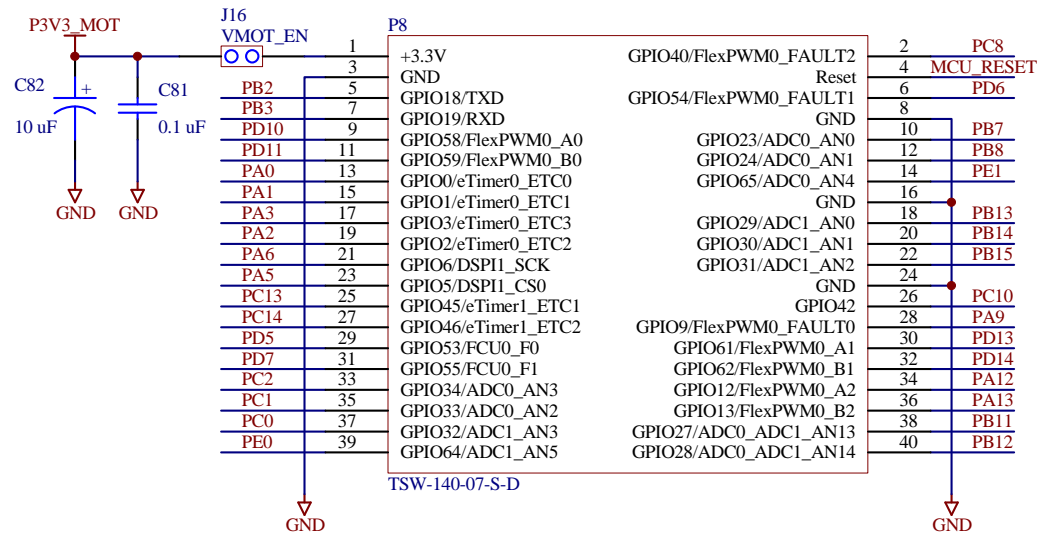


1

2

3

4



P&E Microcomputer Systems, Inc.
 98 Galen Street Floor 2
 Watertown
 MA 02472
 USA

TRK-MPC5604P Schematic - Motor Control

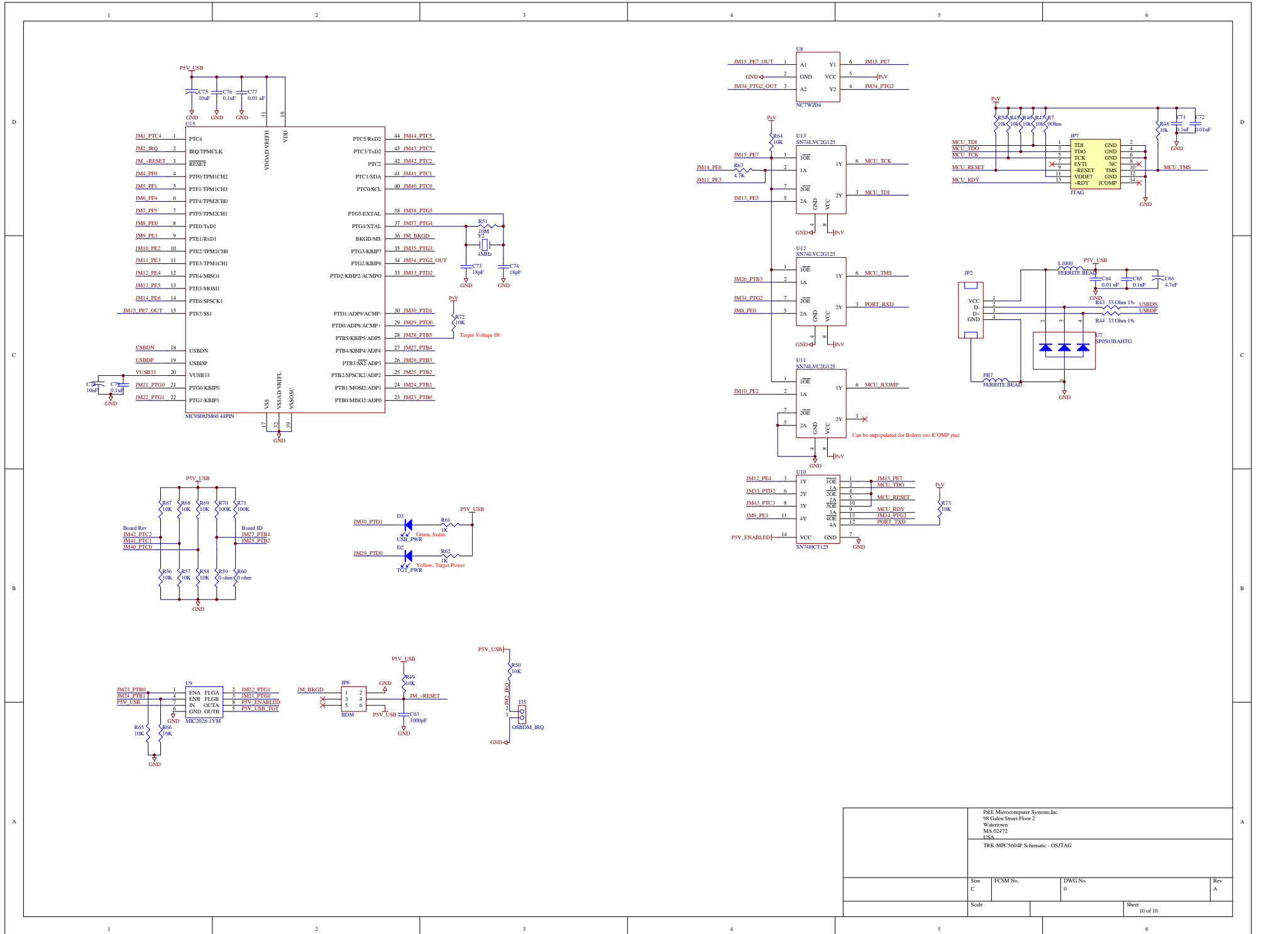
Size A	FCSM No.	DWG No.	Rev A
Scale	Sheet 9 of 10		

1

2

3

4

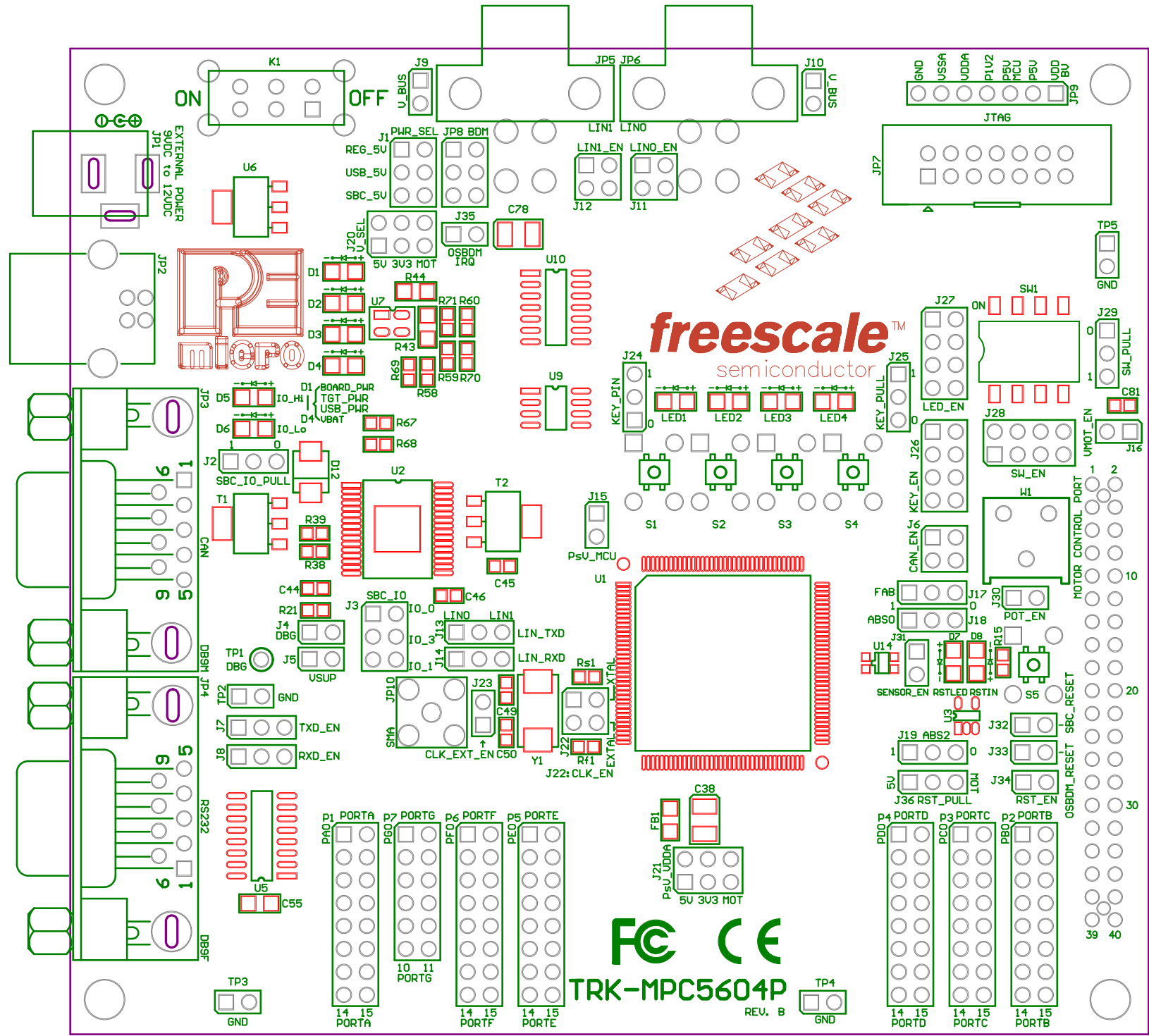


P&F Microcomputer Systems, Inc. 98 Galen Street Floor 2 Watertown MA 02472 USA			
TRK-MPC5604P Schematic - OS7AG			
Size C	FCSM No.	DWG No. 0	Rev A
Scale		Sheet 10 of 10	



4700 (mil)

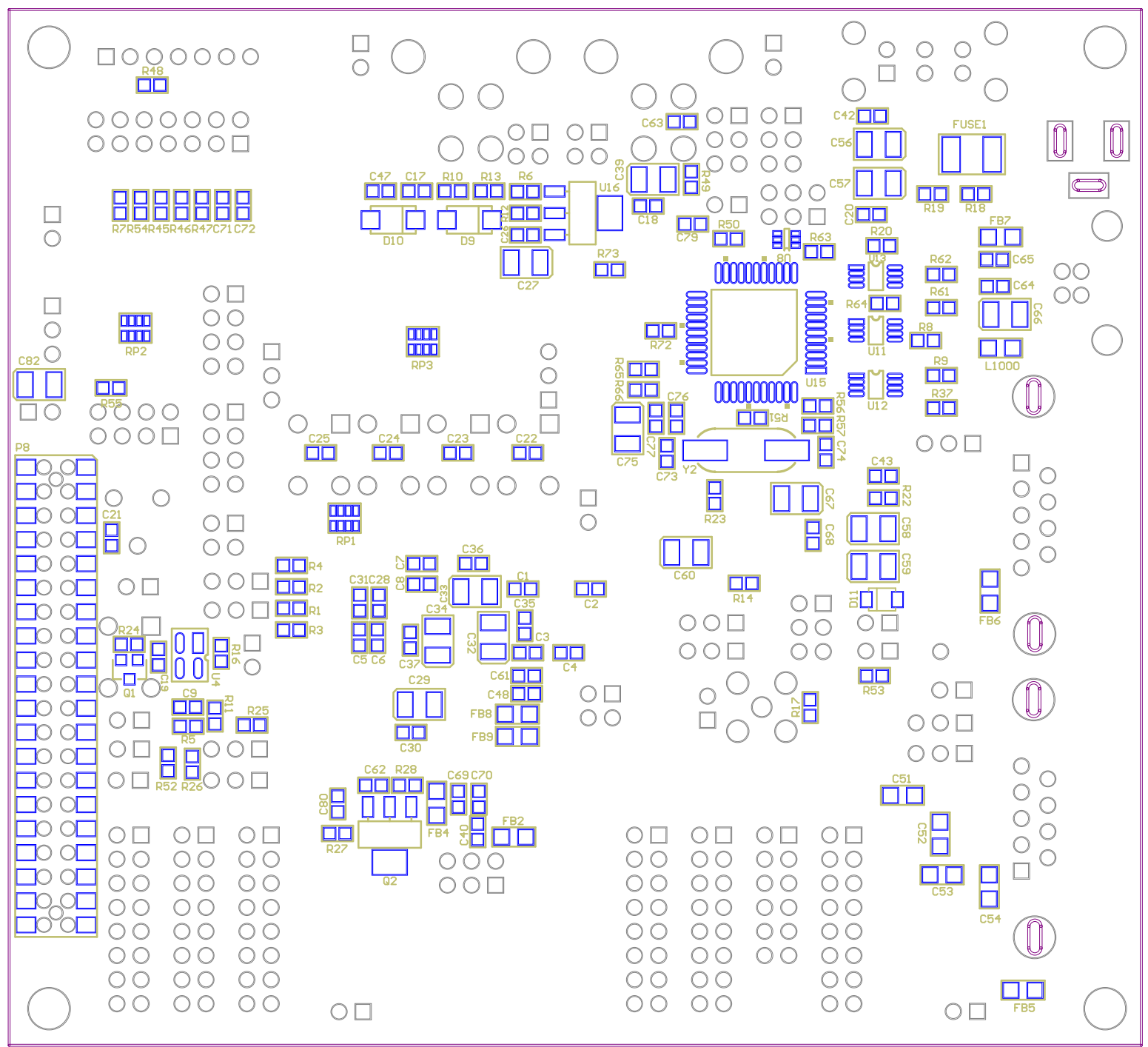
4300 (mil)



freescale™
semiconductor

FC CE
TRK-MPC5604P
REV. B

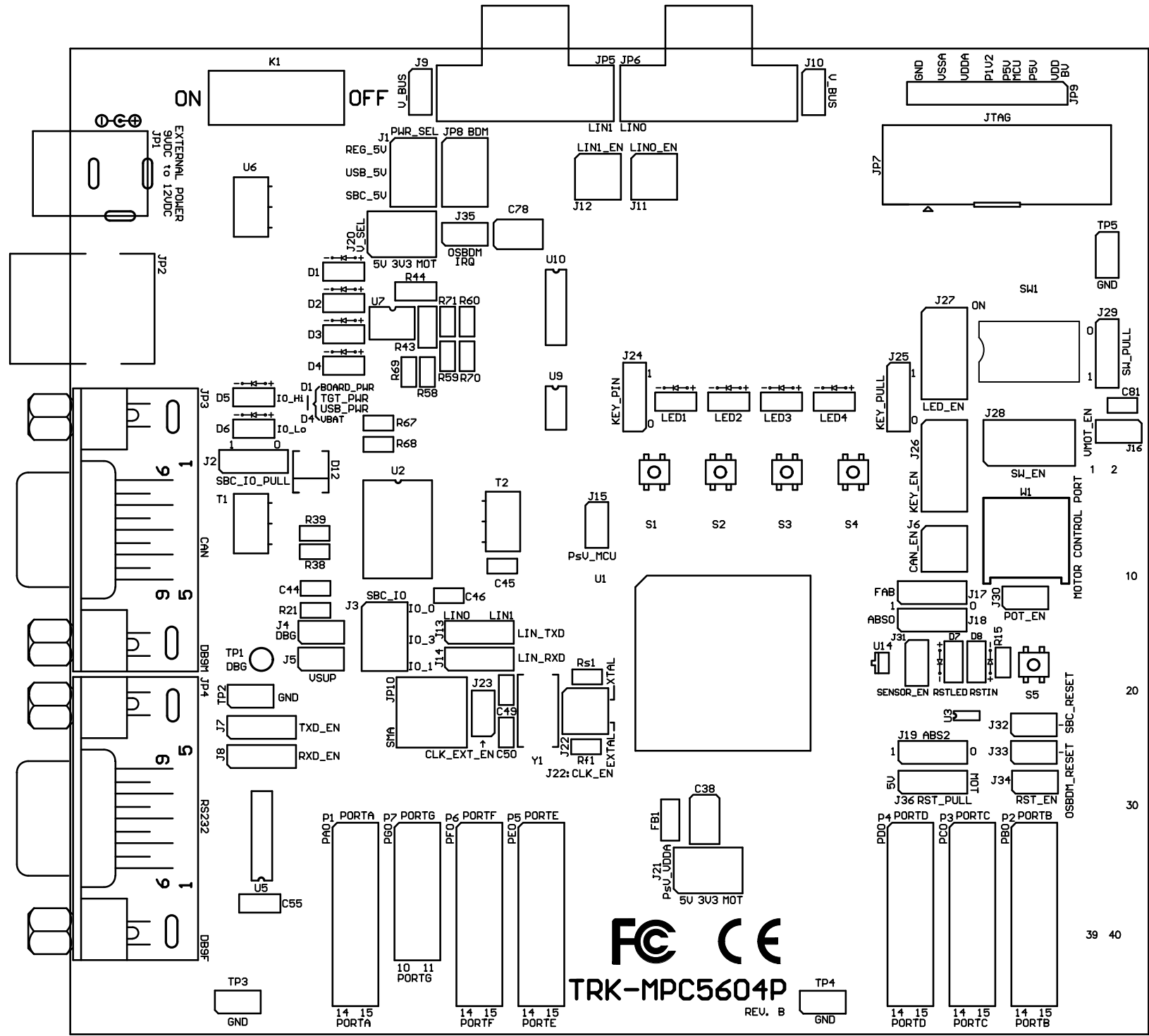








4700 (mil)

4300 (mil)





TRK-MPC5604P
 REV. B



39 40

