

P&E Microcomputer Systems, Inc.  
 98 Galen Street Floor 2  
 Watertown  
 MA 02472  
 USA

TRK-MPC5634M Schematic - Reset and Clock

Size A	FCSM No.	DWG No.	Rev B
Scale	Sheet 3 of 10		



1

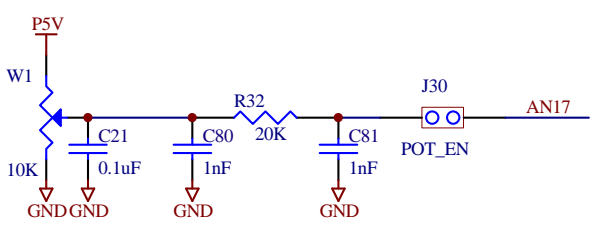
2

3

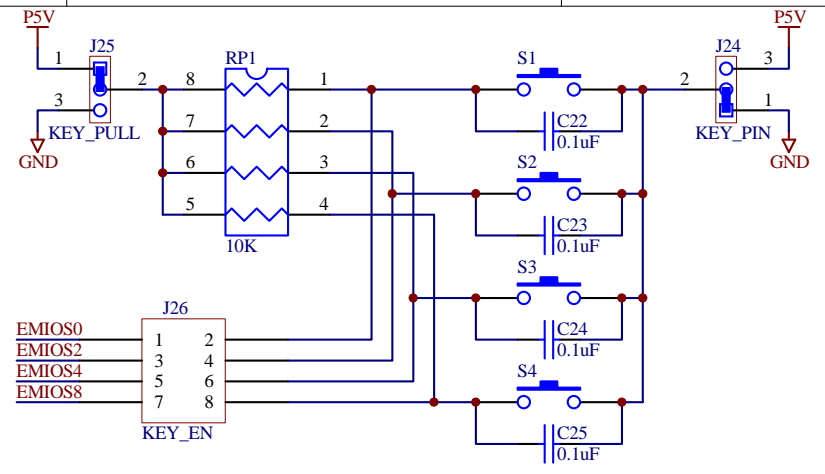
4

D

D

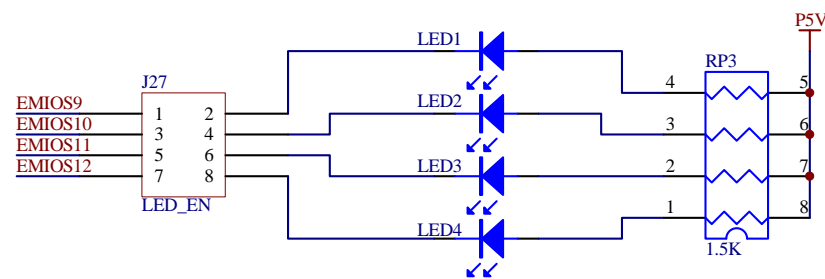
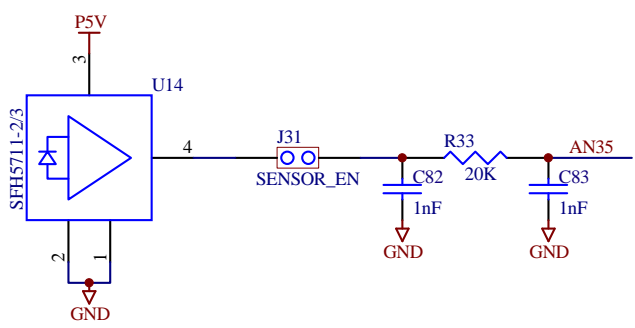


ANALOG INPUT



C

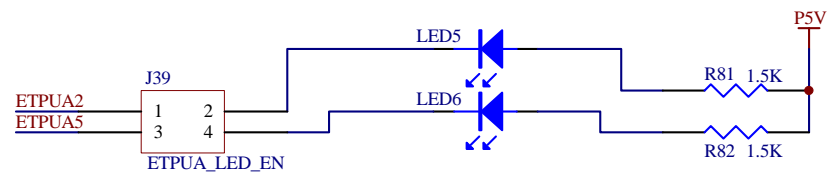
C



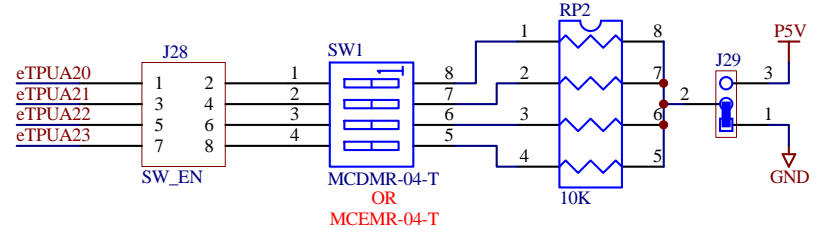
4 GREEN LEDS

B

B



2 GREEN LEDS



A

A

P&E Microcomputer Systems, Inc.  
 98 Galen Street Floor 2  
 Watertown  
 MA 02472  
 USA

TRK-MPC5634M Schematic - User IO

Size A	FCSM No.	DWG No.	Rev B
Scale	Sheet 4 of 10		

1

2

3

4



1

2

3

4

D

D

C

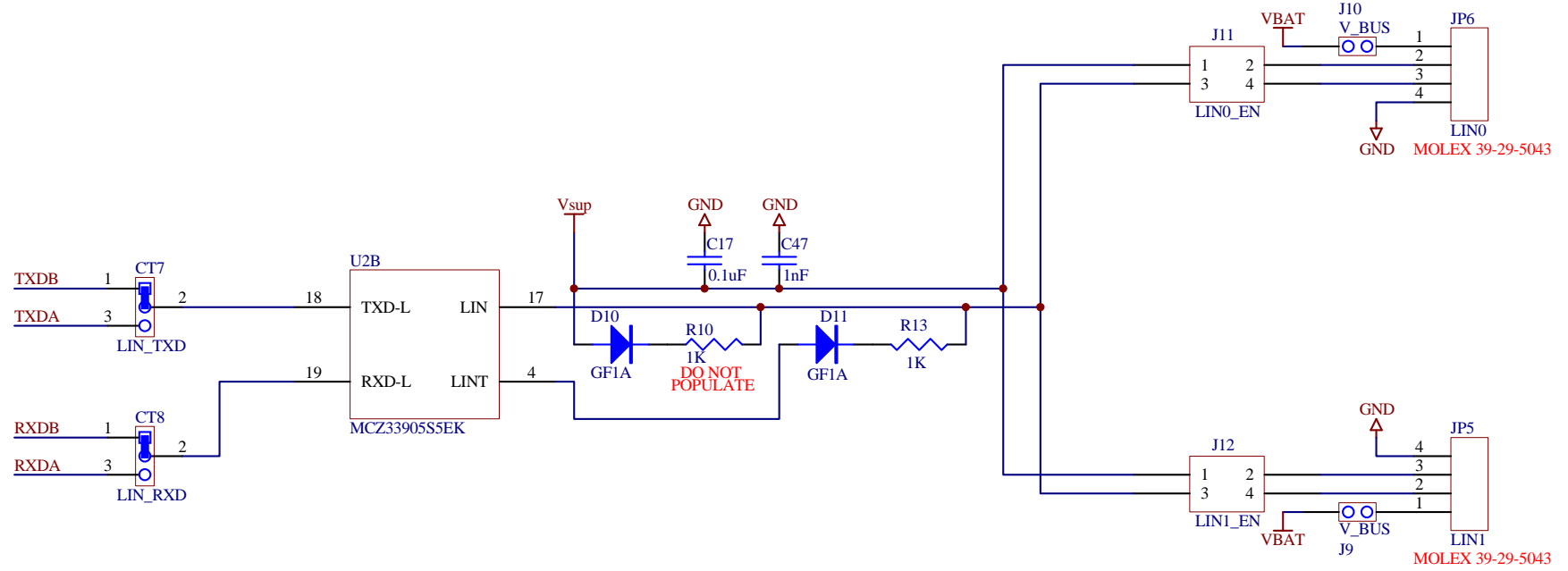
C

B

B

A

A



LIN CONNECTION CIRCUIT

P&E Microcomputer Systems, Inc.  
 98 Galen Street Floor 2  
 Watertown  
 MA 02472  
 USA

TRK-MPC5634M Schematic - LIN

Size A	FCSM No.	DWG No.	Rev B
Scale	Sheet 5 of 10		

1

2

3

4



1

2

3

4

D

D

C

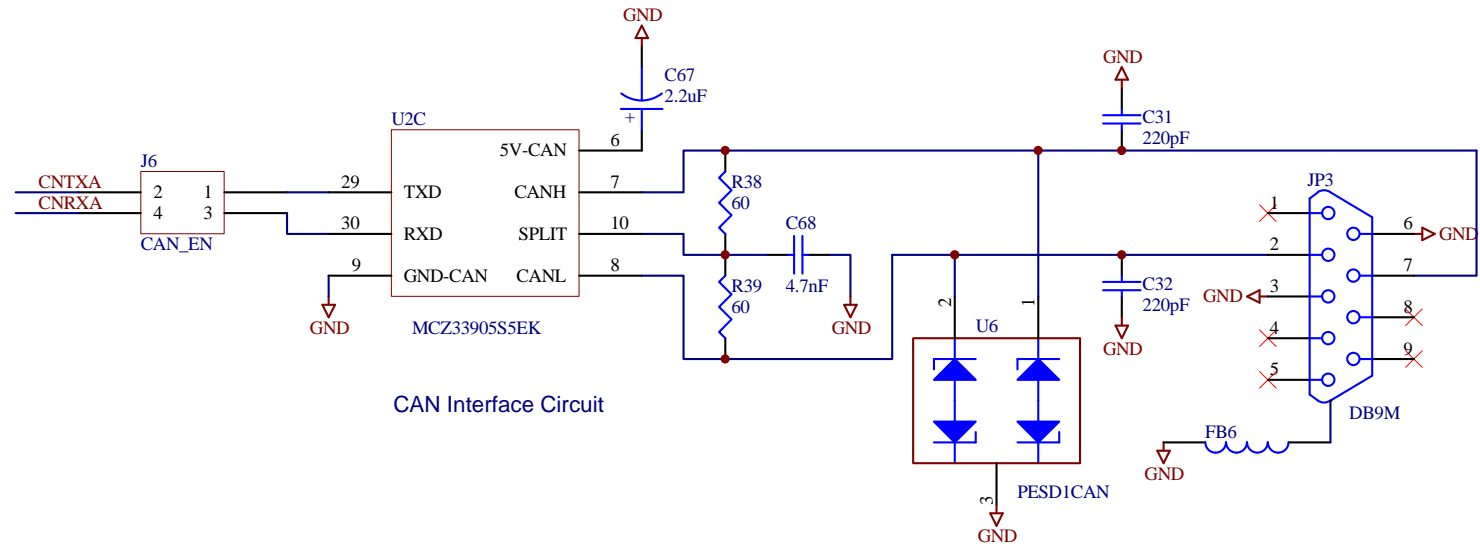
C

B

B

A

A



CAN Interface Circuit

P&E Microcomputer Systems, Inc.  
 98 Galen Street Floor 2  
 Watertown  
 MA 02472  
 USA

TRK-MPC5634M Schematic - CAN

Size  
A

FCSM No.

DWG No.

Rev  
B

Scale

Sheet  
6 of 10

1

2

3

4



1

2

3

4

D

D

C

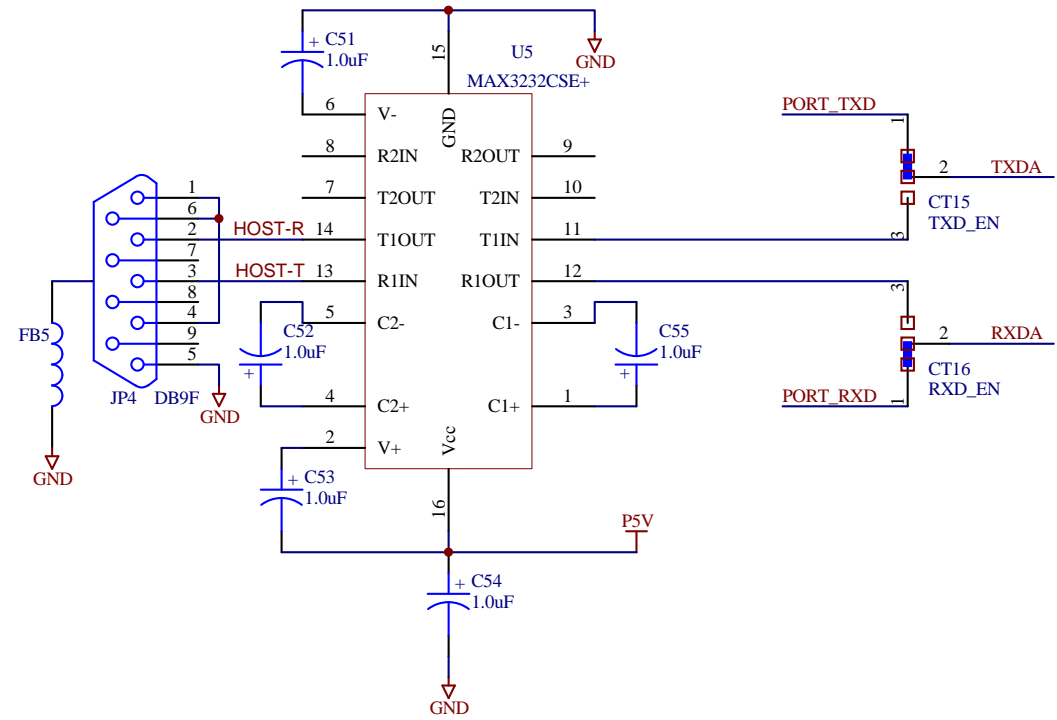
C

B

B

A

A



**RS232 CIRCUITRY**  
**DO NOT POPULATE**

		P&E Microcomputer Systems, Inc. 98 Galen Street Floor 2 Watertown MA 02472 USA	
		TRK-MPC5634M Schematic - RS232	
Size A	FCSM No.	DWG No.	Rev B
Scale	Sheet 7 of 10		

1

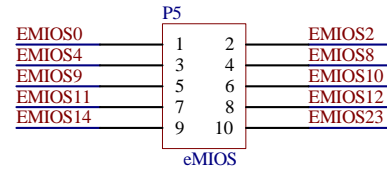
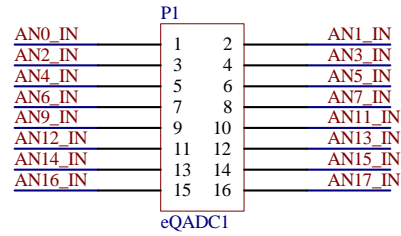
2

3

4

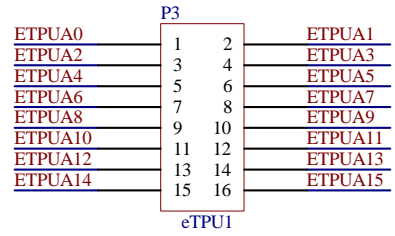
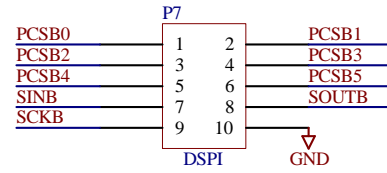
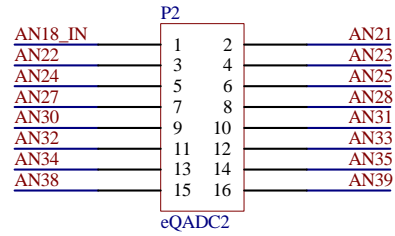
D

D



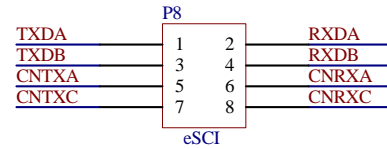
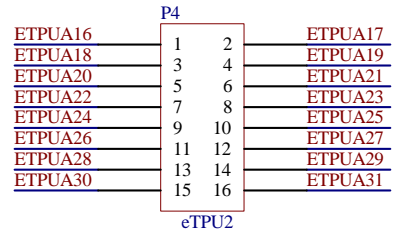
C

C



B

B



A

A

P&E Microcomputer Systems, Inc.  
 98 Galen Street Floor 2  
 Watertown  
 MA 02472  
 USA

TRK-MPC5634M Schematic - PORT IO

Size A	FCSM No.	DWG No.	Rev B
Scale	Sheet 8 of 10		





1

2

3

4

D

D

C

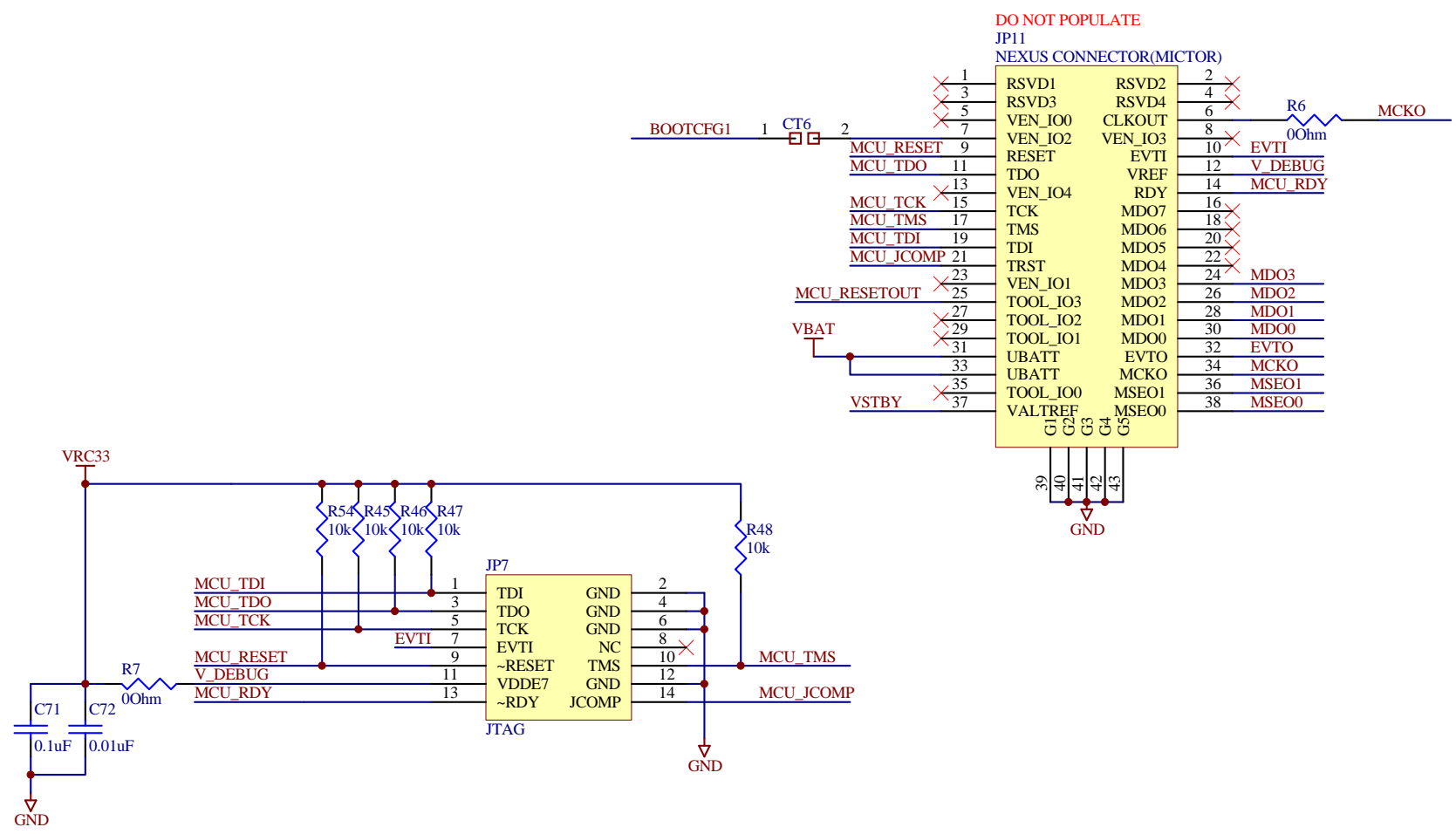
C

B

B

A

A



P&E Microcomputer Systems, Inc.  
 98 Galen Street Floor 2  
 Watertown  
 MA 02472  
 USA

TRK-MPC5634M Schematic - Debug

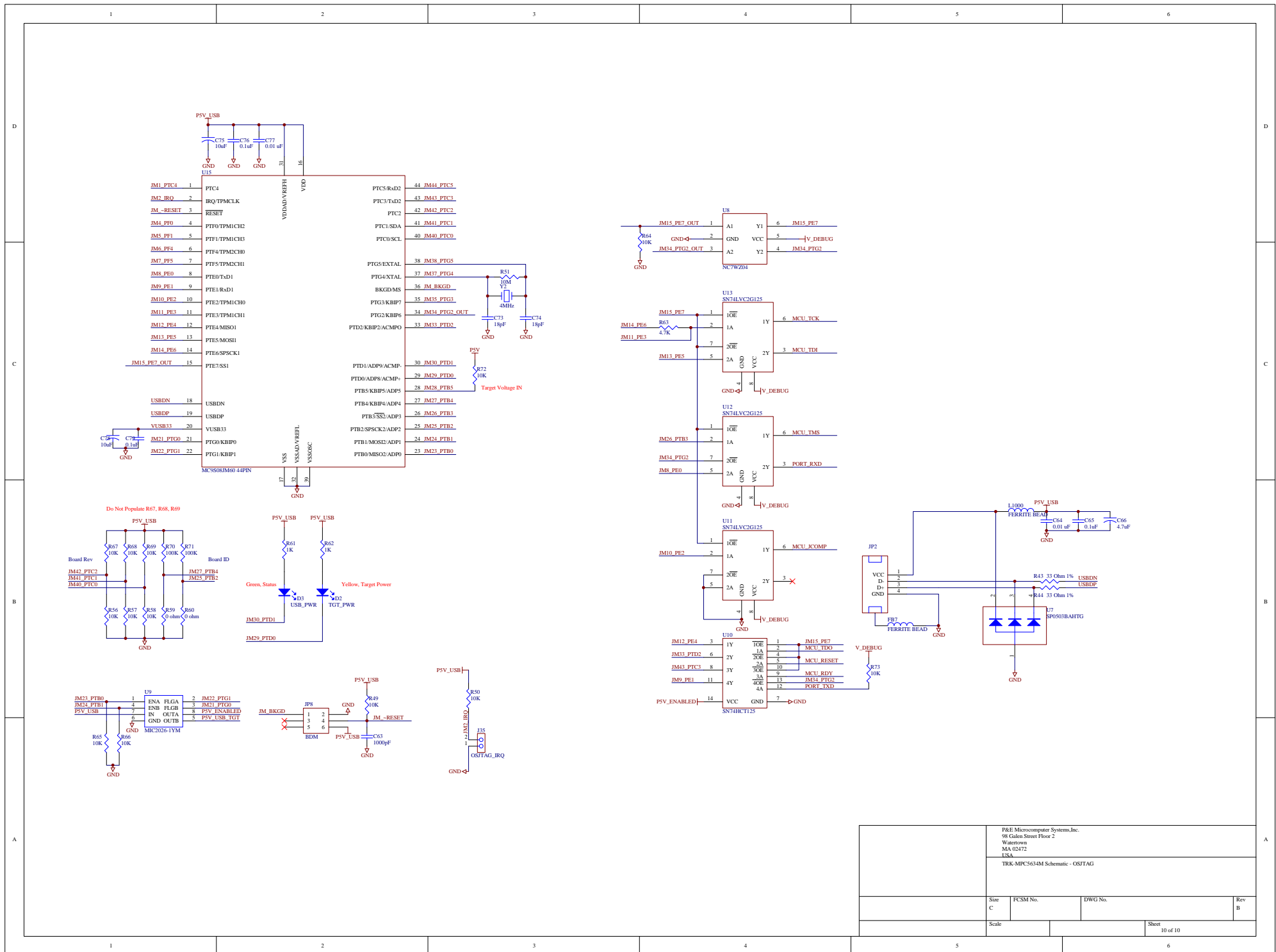
Size A	FCSM No.	DWG No.	Rev B
Scale	Sheet 9 of 10		

1

2

3

4

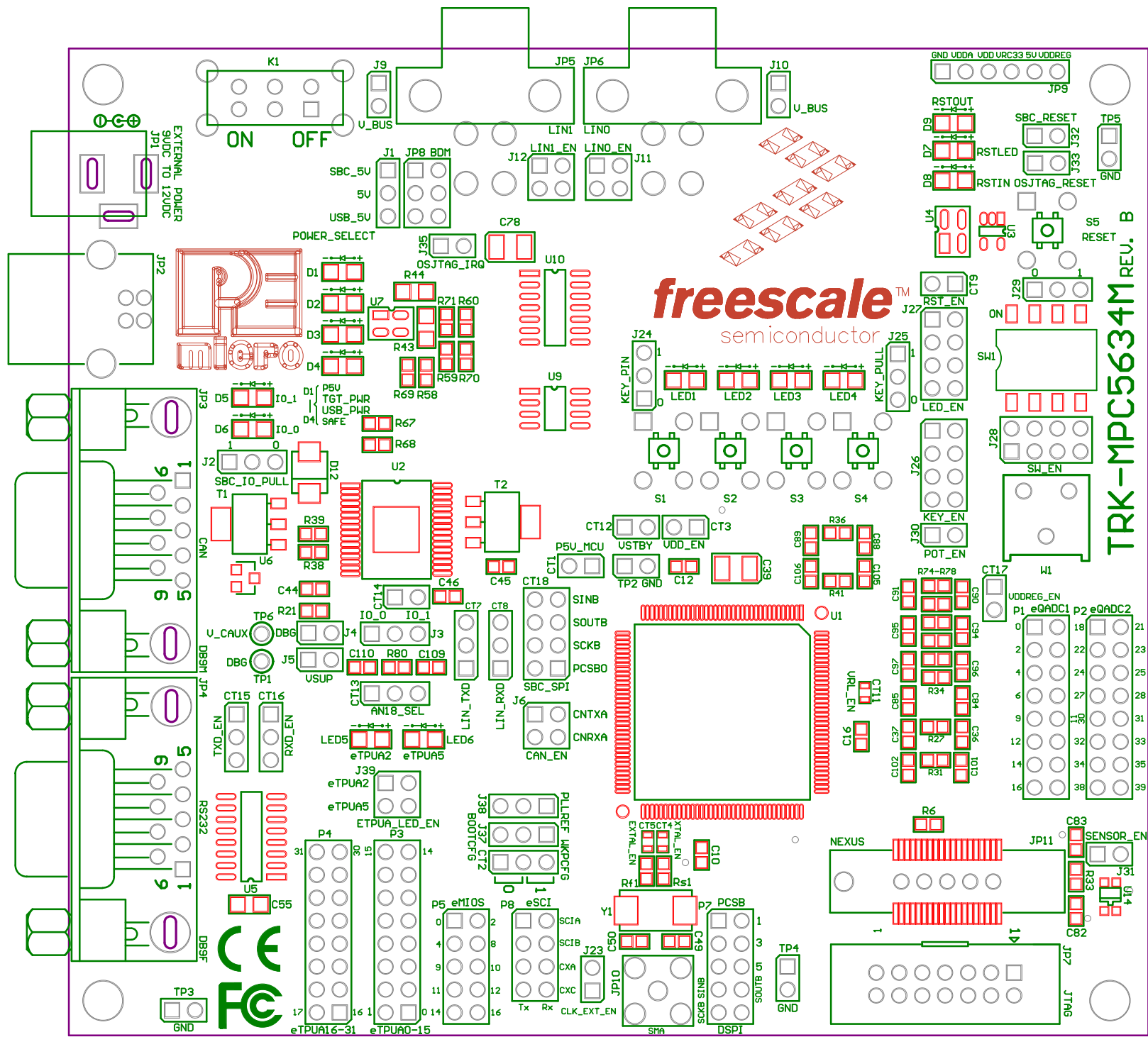


P&E Microcomputer Systems, Inc. 98 Galen Street Floor 2 Watertown MA 02472 USA			
TRK-MPC634M Schematic - OS/TAG			
Size C	FCSM No.	DWG No.	Rev B
Scale			Sheet 10 of 10



← 4700 (mil) →

4300 (mil)



freescale™  
semiconductor

TRK-MPC5634M REV. B



