



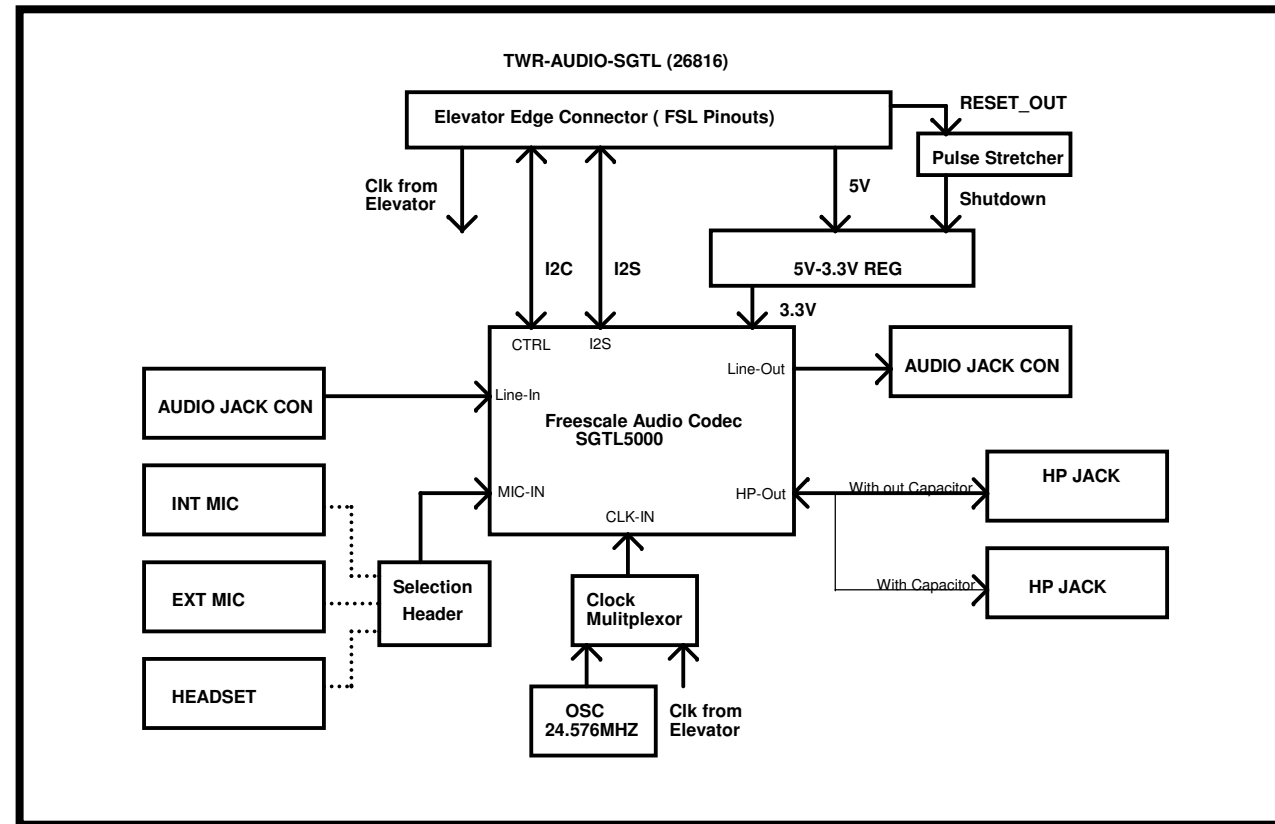
	Date	Approved
Factor 211-78844	16-Sep-10	MN
P8 update as J23 (TH)		
B Released per ECR05322	5-Apr-11	DK
B1 - Changed R1, R2, R3, and R4 to zero ohm - Changed C14, and R18 from DNP to populated - Changed Y1 to Ecliptek p/n EH15005JTS-24.576MHZ, populated - Updated osc value in block diagram - DNP'ed R19 and R43 - Replaced P3V3 net with +3V3 - Changed C1-C5, C10, C13-C16, C36, C37, C925 from X5R to X7R parts	20-Feb-12	DK
BX1 Note - Changes done as per TWR-AUDIO-SGTL ECR Rev 0.1 2012-02-28.docx - All Resistor & capacitor changed to specific tolerance - CPLD Circuit Removed - 3.3V Power source changed to on board regulator - passive components change for Codec - Input clock selection circuit to Codec added - Added Capacitor Less Headphone Out	27-Apr-12	DK
BX2 - Buffer added between Shutdown input and Reset_out - SH pads removed - Clock Oscillator changed to Kyocera part - Clock selection logic modified	3rd-May-12	Liberma Sergio
BX3 - Shutdown logic for Regulator modified - De-caps added at the input of Regulator	8th-May-12	Liberma Sergio
BX4 - J4 connections changed - J56 JACK added & MIC_IN selection provided through headers J52 & J53 - J3,J7 JACK connectors are changed to same part as J2 - The JACK connectors unused pins are terminated to AGND - MIC BIAS is connected through a optional Header, J57 - TP12, TP13, TP15 Deleted - Block diagram Updated	6th-July-12	Liberma Sergio
BX5 - R10, R12, R108, R104, R105, R106 Deleted - C10 grounded to Analog ground - J52 & J53 replaced to a 2x3 header - TVS3 diode connection changed - J56 pin 2 connection modified - J57 Header option modified - TP8 moved to connect +5V_Fil - U1 CTRL_Mode connections modified - Block diagram Updated	9th-July-12	Liberma Sergio
BX6 - U1 CTRL_Mode connections modified - Test pads are replaced with LOOP Tp's (TP4, TP10, TP16) - BUF_RSTOUT & STR_RSTOUT are not active low signals (Suffix _B Removed)	10th-July-12	Liberma Sergio
BX7 - Audio codec supply is connected through induction filter	11th-July-12	Liberma Sergio
BX8 - Left/Right audio channels swapped for J1, J2, J3, J7	13th-July-12	Liberma Sergio
BX9 - BACK ANNOTATION DONE	19th-July-12	Marc & Sergio
BX10 - GND & AGND short deleted	24th-July-12	Marc & Sergio
C - A085 RELEASE	25th-July-12	Marc & Sergio
CX1 Major re-design per FCC feedback	18th-Feb-13	Jay & Sergio
CX2 U4 -> Si5351ABGT & Y1 27 MHz xtal Added 5V & GND for SECONDARY TWR Edge conn	20th-Feb-13	Jay & Sergio
CX3 SCH Release	21st-Feb-13	Jay & Sergio
D Production Release	26th-Feb-13	Jay & Sergio
D1 BOM chnage, no LAY impact. C50 chnaged to 150-78563 to go from a hard to get B dielectric to X5R	10th-Mar-13	Jay & Sergio
D2 BOM chnage, no LAY impact. R9 changed to 470-77874 to go from zero ohm to 39 ohm to reduce EMI Changed J11 to match pin height with other headers.	27-Jun-13	Jay & Sergio

Table of Contents	
1	TITLE PAGE
2	NOTES & Block Diagram
3	AUDIO
4	ELEVATOR CONNS

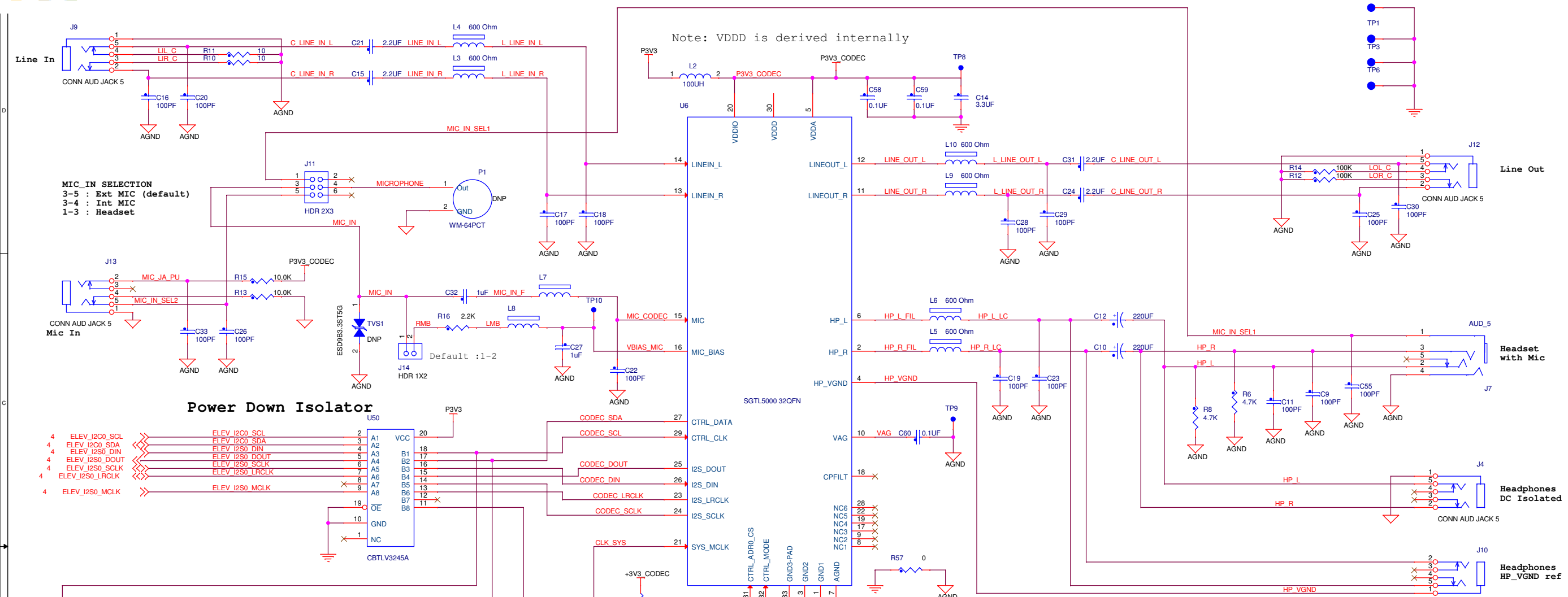
		Automotive, Industrial & Multi-market Solutions Group 6501 William Cannon Drive West Austin, TX 78735-8598	
This document contains information proprietary to Freescale and shall not be used for engineering design, procurement or manufacture in whole or in part without the express written permission of Freescale.			
ICAP Classification: FCP: X FIUC: X PUBI:			
Designer: J. HARTVIGSEN	Drawing Title: TWR-AUDIO-SGTL		
Drawn by: J. HARTVIGSEN	Page Title: Title Page		
Approved: M. HUBBARD	Size C	Document Number SCH-26816 PDF: SPF-26816	Rev D2
Date: Thursday, June 27, 2013		Sheet 1 of 4	

NXP wise Specified:
 are in ohms
 All capacitors are in uF
 All voltages are DC
 All polarized capacitors are aluminum electrolytic

2. Interrupted lines coded with the same letter or letter combinations are electrically connected.
3. Device type number is for reference only. The number varies with the manufacturer.
4. Special signal usage:
 _B Denotes - Active-Low Signal
 <> or [] Denotes - Vectored Signals
5. Interpret diagram in accordance with American National Standards Institute specifications, current revision, with the exception of logic block symbology.



AUDIO CODEC



NOTES :
 1. CTRL_MODE Grounded to have I2C Control lines
 2. CTRL-ADR0-CS - I2C Address Select 0;

