



Contents	
	Tower Connectors
	CAN
	LEDs
6	Schematic - RS232
7	Schematic - RS232/485
8	Schematic - USB2SER
9	Schematic - Analog

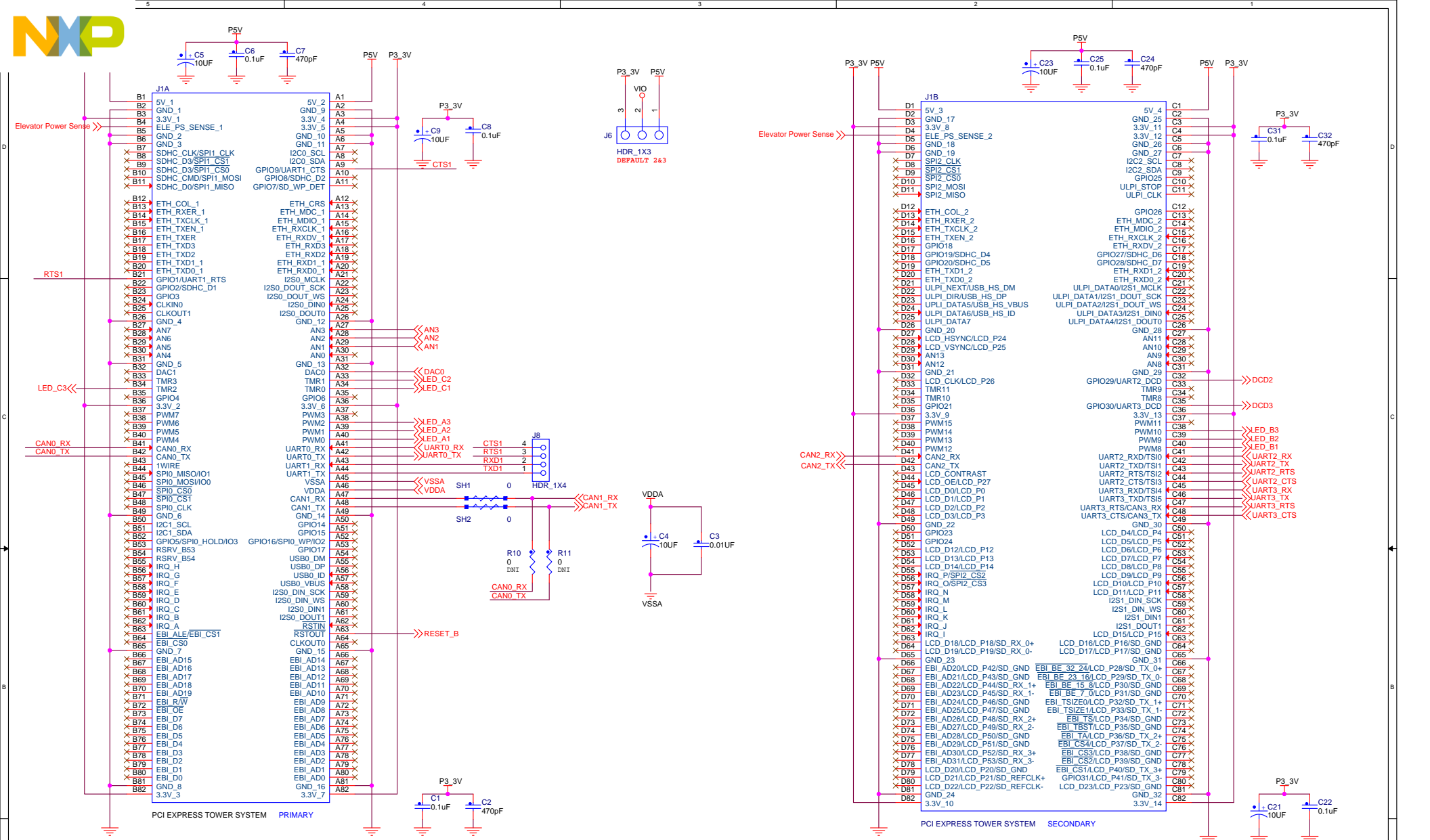
Revisions			
Rev	Description	Date	Approved
B	Production	2/11/2012	DESIGNER

		Microcontroller Solutions Group 6501 William Cannon Drive West Austin, TX 78735-8588	
<small>This document contains information proprietary to Freescale Semiconductor and shall not be used for engineering design, procurement or manufacture in whole or in part without the express written permission of Freescale Semiconductor.</small>			
Designer: DESIGNER		ICAP Classification: FCP: FLQ: X PUB:	
Drawing Title: TWR-IND-IO		Drawn by: DRAWN_BY	
Page Title: TITLE PAGE		Approved: APPROVER	
Size C	Document Number SCH-27304 PDF: SPF-27304	Date: Thursday, February 23, 2012	Rev B
		Sheet 1 of 9	

All polarized capacitors are Tantalum

2. Interrupted lines coded with the same letter or letter combinations are electrically connected.
3. Device type number is for reference only. The number varies with the manufacturer.
4. Special signal usage:
 _B Denotes - Active-Low Signal
 <> or [] Denotes - Vectored Signals
5. Interpret diagram in accordance with American National Standards Institute specifications, current revision, with the exception of logic block symbology.

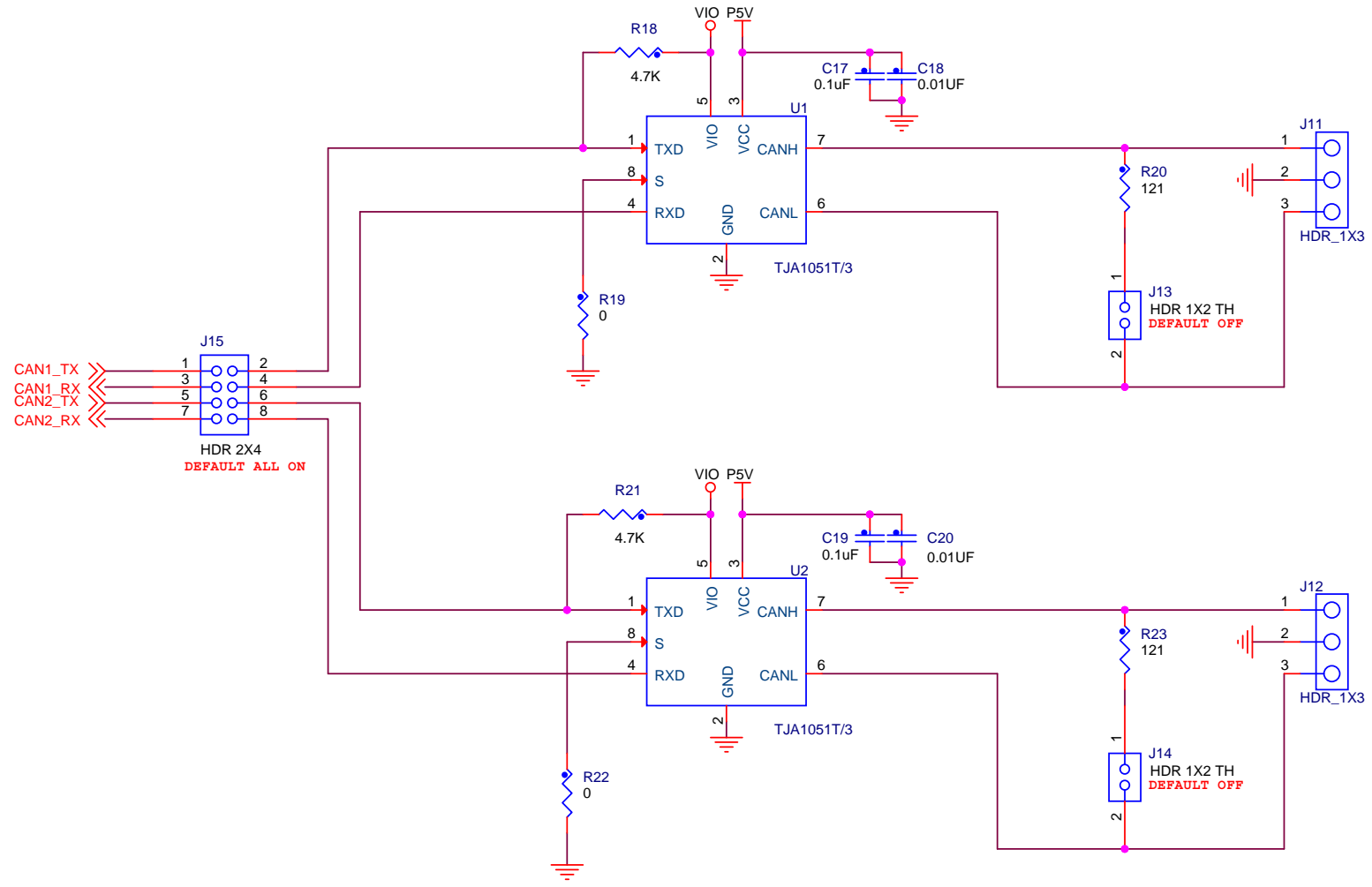
		
ICAP Classification: FCP: _____ FIUC: X PUBL: _____		
Drawing Title: TWR-IND-IO		
Page Title: NOTES		
Size C	Document Number SCH-27304 PDF: SPF-27304	Rev B
Date: Monday, February 06, 2012	Sheet 2	of 9



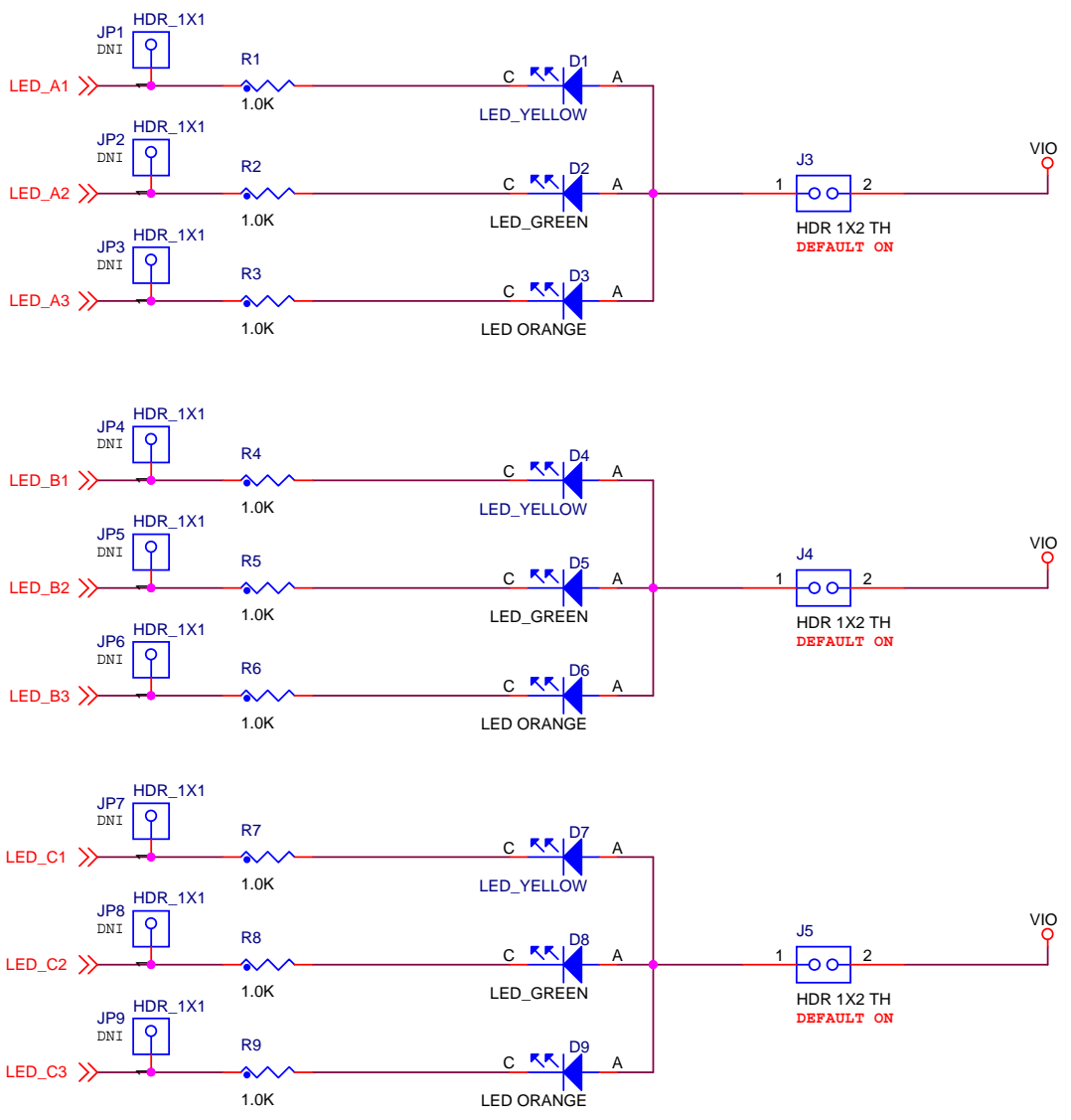
freescale
semiconductor

ICAP Classification: FCP: _____ FIUC: X PUBI: _____
 Drawing Title: **TWR-IND-IO**
 Page Title: **Schematic - Tower Connectors**

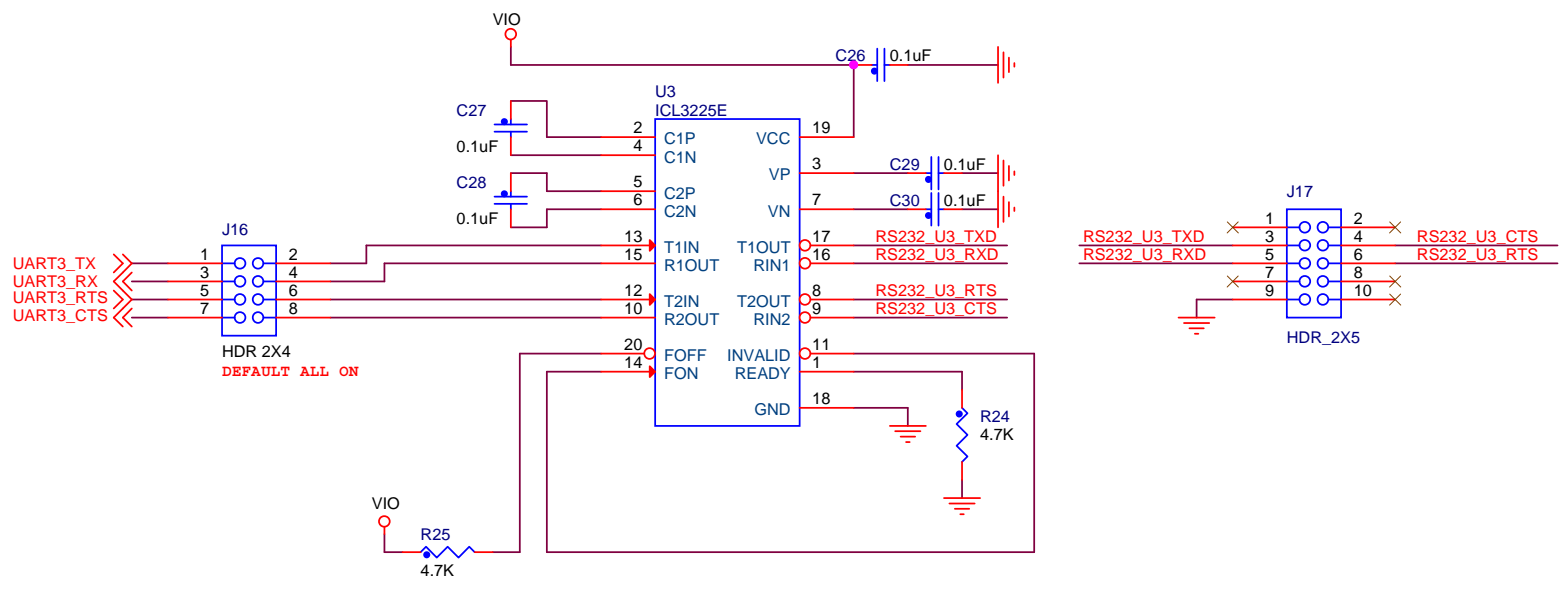
Size	Document Number	SCH-27304 PDF: SPF-27304	Rev B
Date:	Monday, February 06, 2012	Sheet 3 of 9	



ICAP Classification: FCP: _____ FIUO: X PUBI: _____		
Drawing Title: TWR-IND-IO		
Page Title: Schematic - CAN		
Size A4	Document Number SCH-27304 PDF: SPF-27304	Rev B
Date: Monday, February 06, 2012	Sheet 4 of 9	



ICAP Classification: FCP: _____ FIUO: X PUBLI: _____		
Drawing Title: TWR-IND-IO		
Page Title: Schematic - LEDs		
Size A4	Document Number SCH-27304 PDF: SPF-27304	Rev B
Date: Monday, February 06, 2012	Sheet 5 of 8	



freescale™
semiconductor

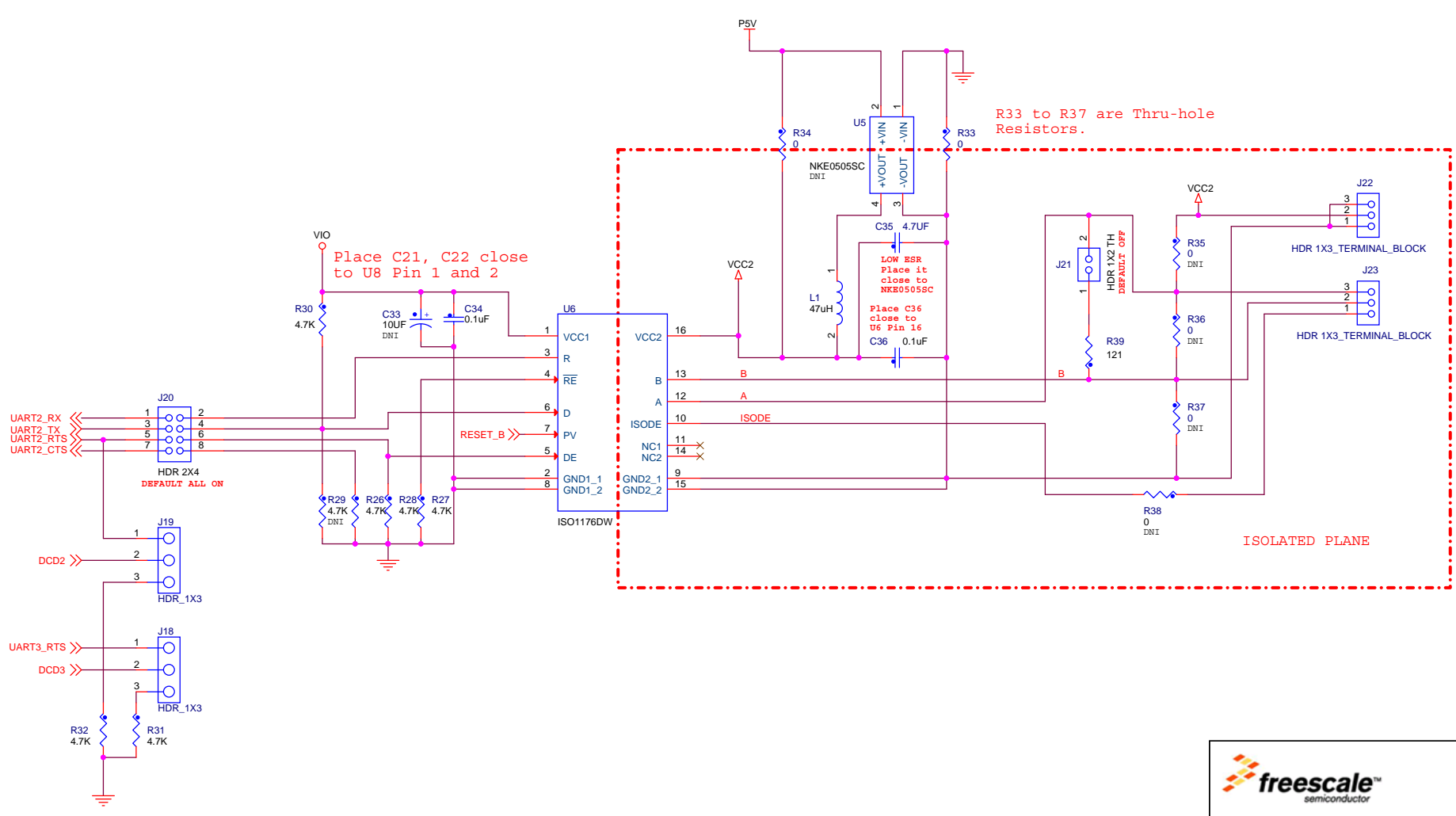
ICAP Classification: FCP: _____ FIUO: X PUBI: _____

Drawing Title: **TWR-IND-IO**

Page Title: **Schematic - RS232**

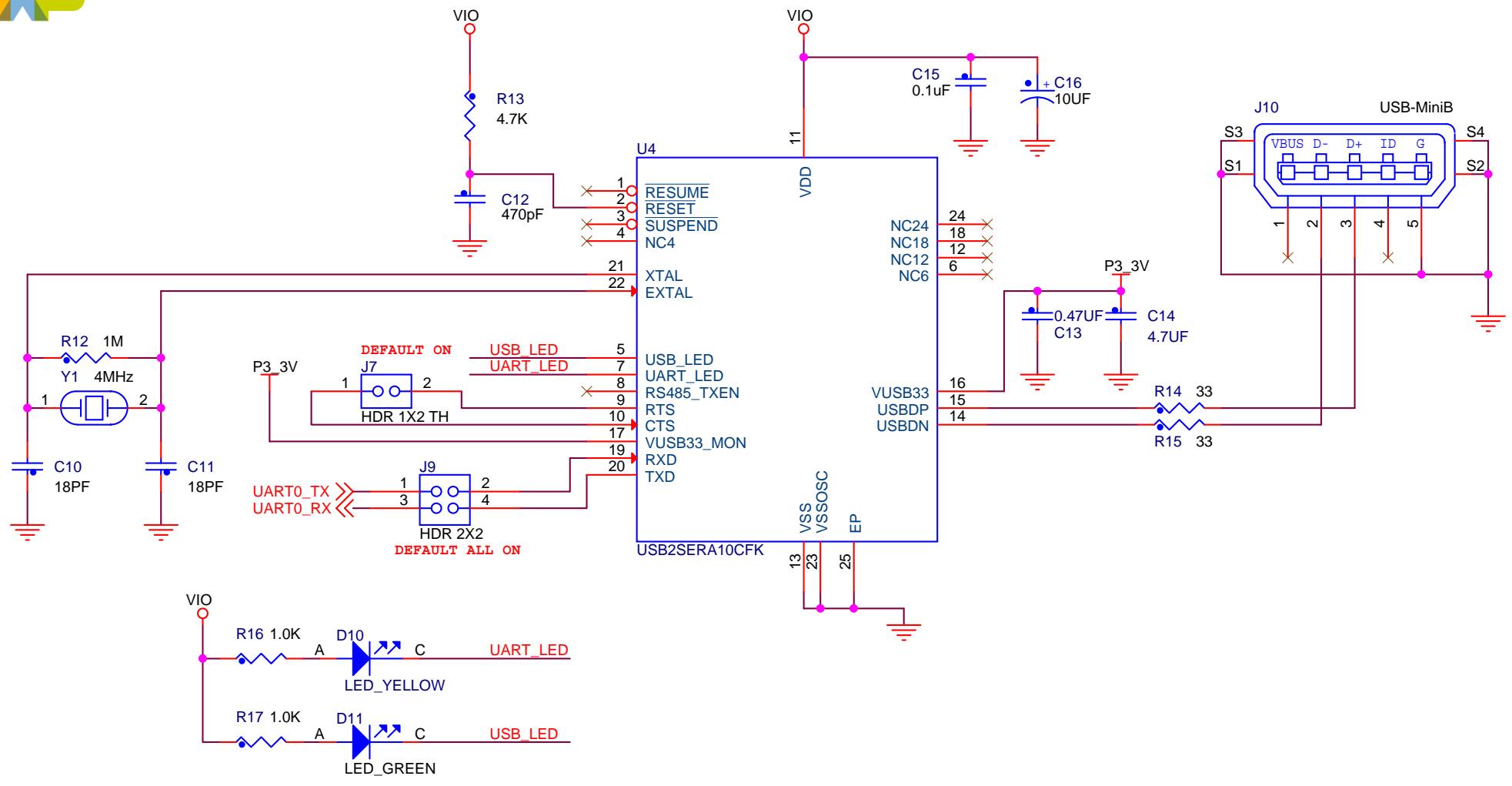
Size A4	Document Number SCH-27304 PDF: SPF-27304	Rev B
------------	---	----------

Date: Monday, February 06, 2012 Sheet 6 of 9



ICAP Classification: FCP: _____ FIUC: X PUBI: _____	
Drawing Title: TWR-IND-IO	
Page Title: Schematic - RS485	
Size B	Document Number SCH-27304 PDF: SPF-27304
Date: Monday, February 06, 2012	Sheet 7 of 9

Rev B



ICAP Classification: FCP: ___ FIUO: X PUBL: ___

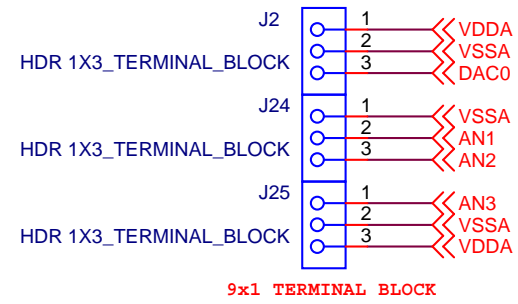
Drawing Title:

TWR-IND-IO

Page Title:

Schematic - USB2SER

Size A	Document Number SCH-27304 PDF: SPF-27304	Rev B
--------	---	-------



ICAP Classification: FCP: ___ FIUO: X PUBL: ___		
Drawing Title: TWR-IND-IO		
Page Title: Schematic - Analog		
Size A	Document Number SCH-27304 PDF: SPF-27304	Rev B
Date:	Monday, February 06, 2012	Sheet 9 of 9