


5		Table of Contents
4		Diagram
4	NEWTON-2	
5	USB/OSBDM/V-TRAN/PWR	
6	Peripherals	
7	Sensors	
8	Elevator Connectors	

Revisions			
Rev	Description	Date	Approved
A	Proto Release	30 Jul 10	J.H.
B	Pilot Release	20 Sep 10	DK
C	Impliment ECO28507	11 Oct 10	J.H.

		Microcontroller Solutions Group 6501 William Cannon Drive West Austin, TX 78735-8598	
<small>This document contains information proprietary to Freescale Semiconductor and shall not be used for engineering design, procurement or manufacture in whole or in part without the express written permission of Freescale Semiconductor.</small>			
Designer: Jay Hartvigsen		Drawing Title: TWR-K60N512	
Drawn by: Manjula		Page Title: Table of Contents/Revisions	
Approved: Jay Hartvigsen		Size C	Document Number SCH-26548 PDF: SPF-26548
Date: Monday, October 11, 2010		Sheet 1 of 8	



wise Specified:
are in ohms

All capacitors are in uF
All voltages are DC
All polarized capacitors are aluminum electrolytic

2. Interrupted lines coded with the same letter or letter combinations are electrically connected.
3. Device type number is for reference only. The number varies with the manufacturer.
4. Special signal usage:
 - _B Denotes - Active-Low Signal
 - <> or [] Denotes - Vectored Signals
5. Interpret diagram in accordance with American National Standards Institute specifications, current revision, with the exception of logic block symbology.

Power & Ground Nets

NET	VOLTAGE	DESCRIPTION
P5V_USB	5V	Primary input power. Filtered from USB connector. Input to USB power switch.
P5V_SW	5V	Output of USB power switch controlled by the 5V_EN signal from the JM60 MCU. Used by OSBDM voltage translation circuits.
P5V_TRG_USB	5V	Output of USB power switch controlled by the VTRG_EN signal from the JM60 MCU. Provides input to regulator.
P3V3	3.3V	Output of regulator using USB power input (P5V_TRG_USB).
P3V3_MCU	3.3V	MCU digital power. Filtered from P3V3.
VDDA	3.3V	VDDA power for MCU and analog circuits. Filtered from P3V3_MCU.
VREFH	3.3V	Upper reference voltage for ADC on the MCU. Filtered from VDDA.
VREFL	0V	Lower reference voltage for ADC on the MCU. Filtered from VSSA.
VSSA	0V	VSSA power for MCU and analog circuits. Filtered from GND.
GND	0V	Digital Ground.

ICAP Classification: FCP: _____ FILE: X PUBL: _____		
Drawing Title: TWR-K60N512		
Page Title: Notes		
Size C	Document Number SCH-26548 PDF: SPF-26548	Rev C
Date: Monday, October 11, 2010	Sheet 2 of 8	

ELEVATOR CONNECTORS

Sheet 8

Sheet 5

OSJTAG/USB Bridge Circuit
 USB Mini B Connector
 MC9S08JM60
 Voltage Translation
 OSJTAG/JTAG Header
 SCI Source Selectors
 Power Supply Circuits

Sheet 4

K60N512 MCU
 50 MHz XTAL
 32.768 KHz XTAL
 VSSA/VDDA filter
 VREFH/VREFL filter
 VREF_OUT
 VREGIN, VOUT33
 VBAT

Sheet 6

INFRARED PORT

Sheet 6

PUSH BUTTONS

Sheet 7

LEDs

Sheet 6

SD CARD SOCKET

Sheet 7

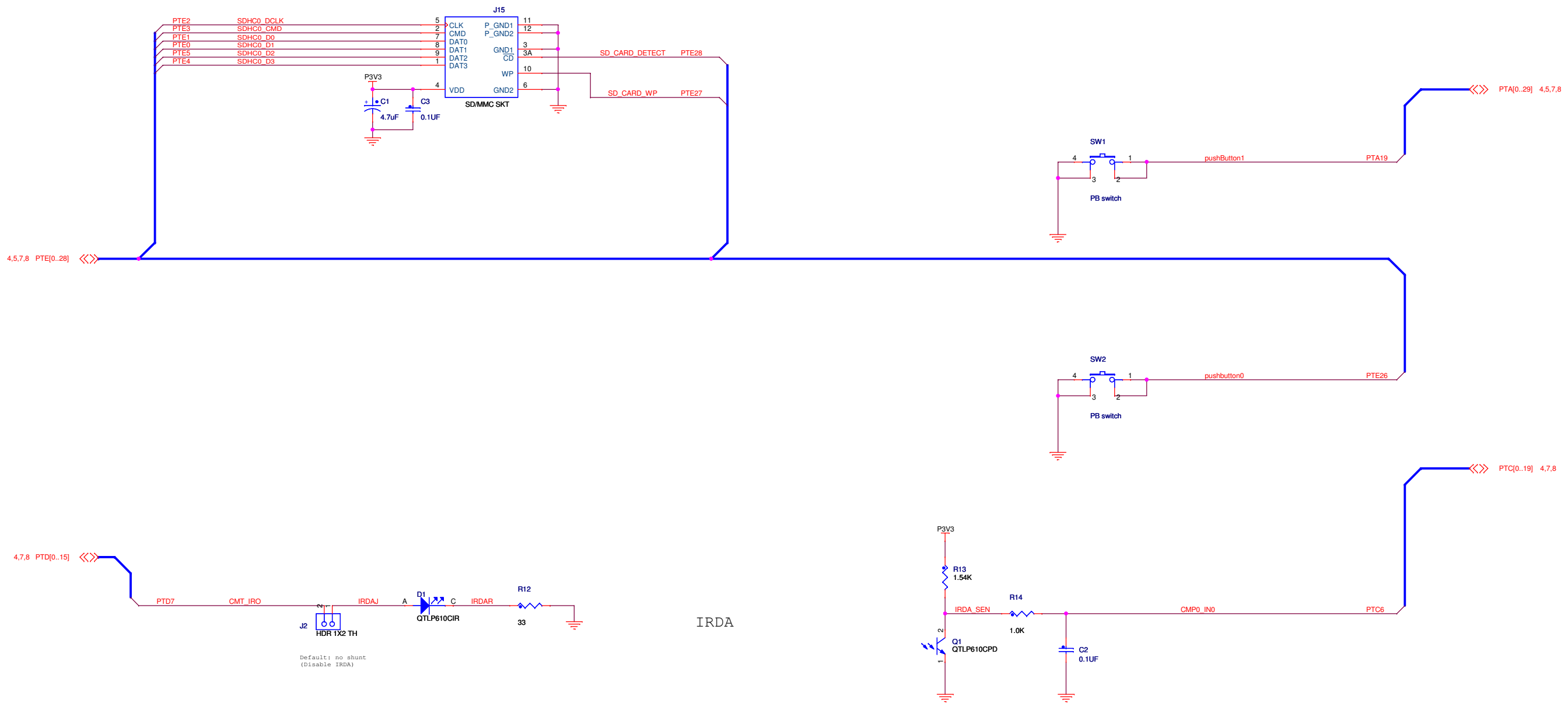
TOWER PLUG-IN (TWRPI)
 SENSOR HEADERS

Sheet 7

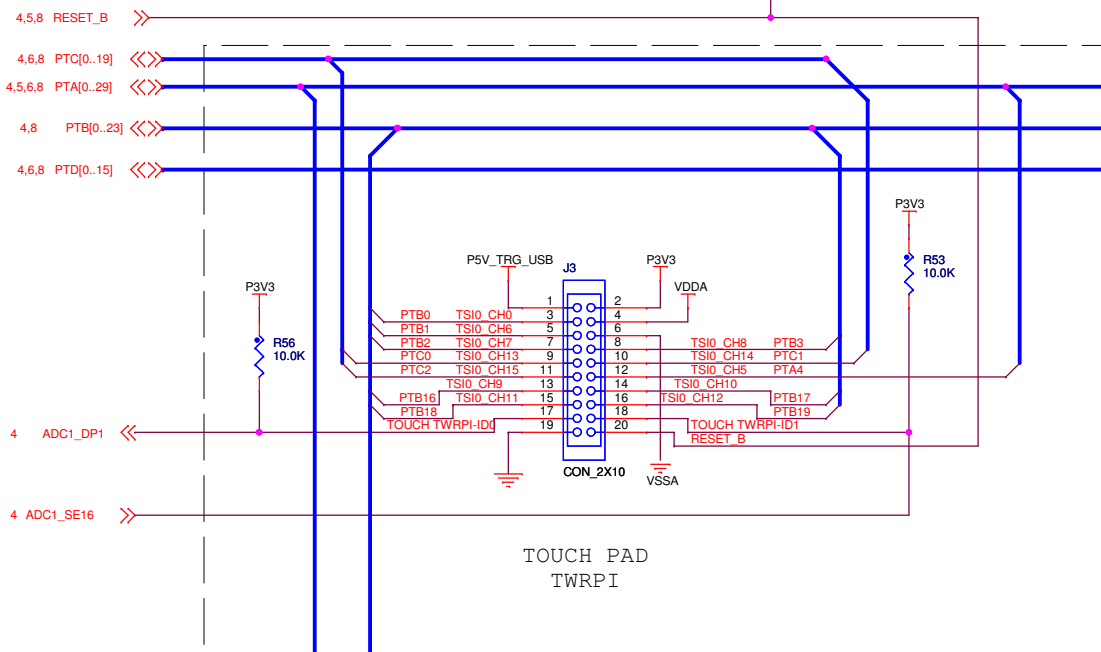
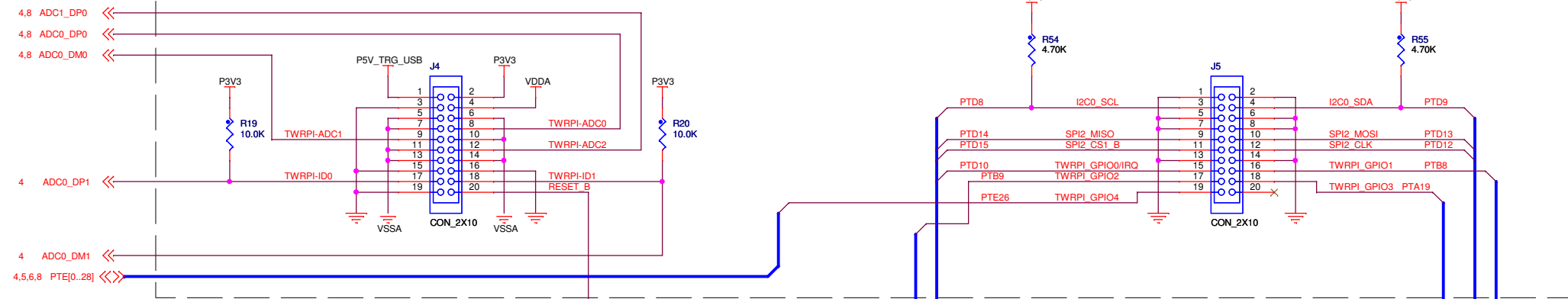
ANALOG INPUTS
 MMA7660 ACCELEROMETER
 POTENTIOMETER

Sheet 7

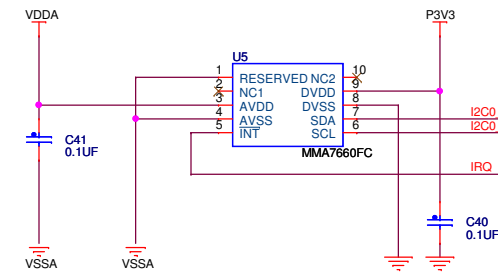
TOWER PLUG-IN (TWRPI)
 TOUCH HEADER



GENERAL PURPOSE
TWRPI



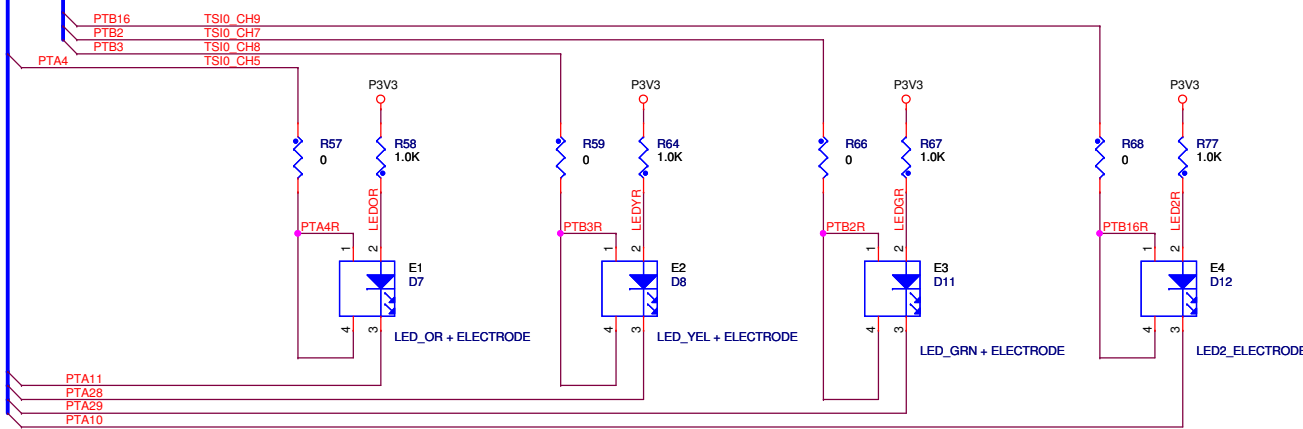
ACCELEROMETER

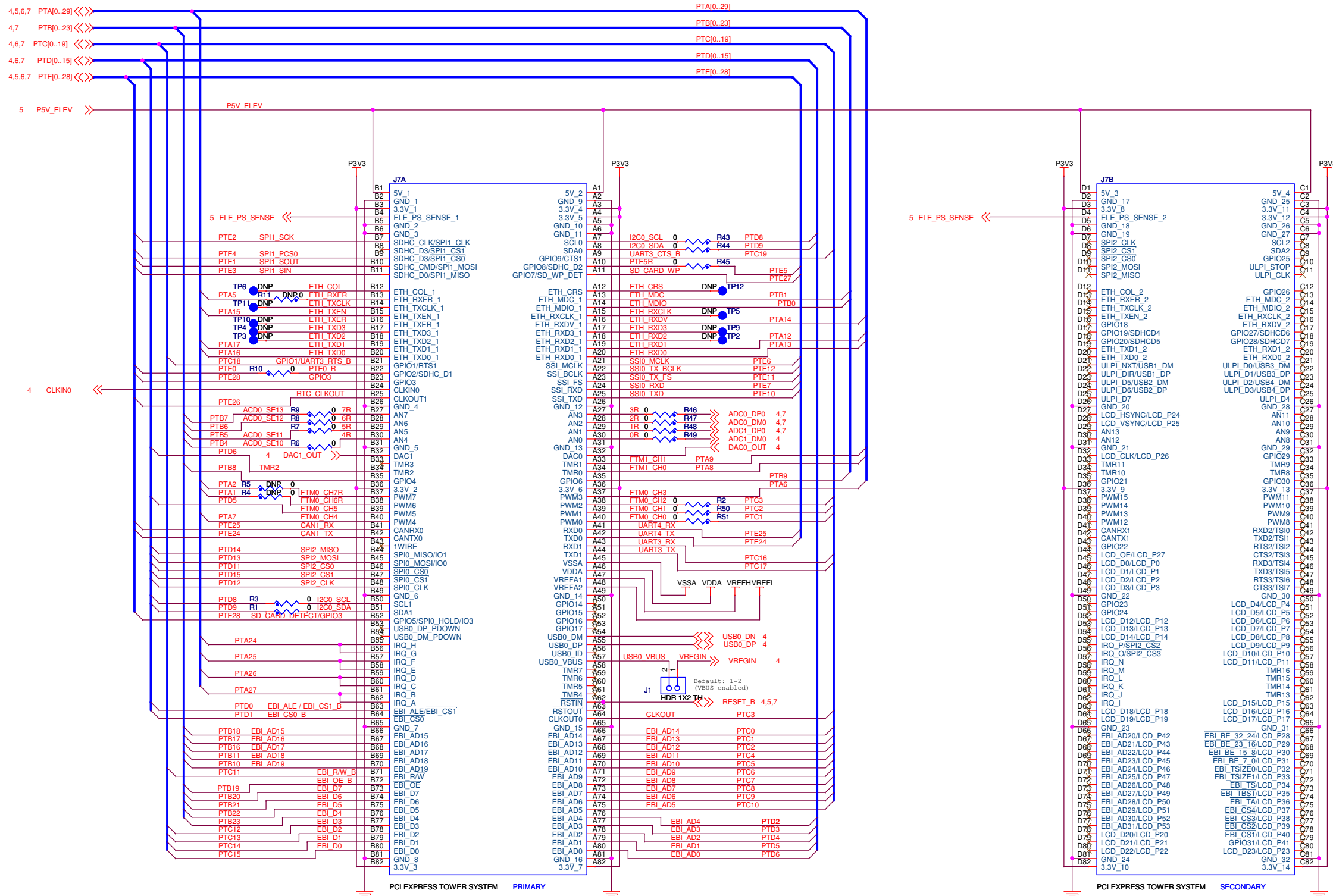


POTENTIOMETER



TOUCH ELECTRODES WITH LEDS





freescale
semiconductor

ICAP Classification: FCP: FILIO: X PUBI:

Drawing Title: **TWR-K60N512**

Page Title: **Elevator Connector**

Size	Document Number	Rev
C	SCH-26548 PDF: SPF-26548	C

Date: Monday, October 11, 2010 | Sheet 8 of 8