
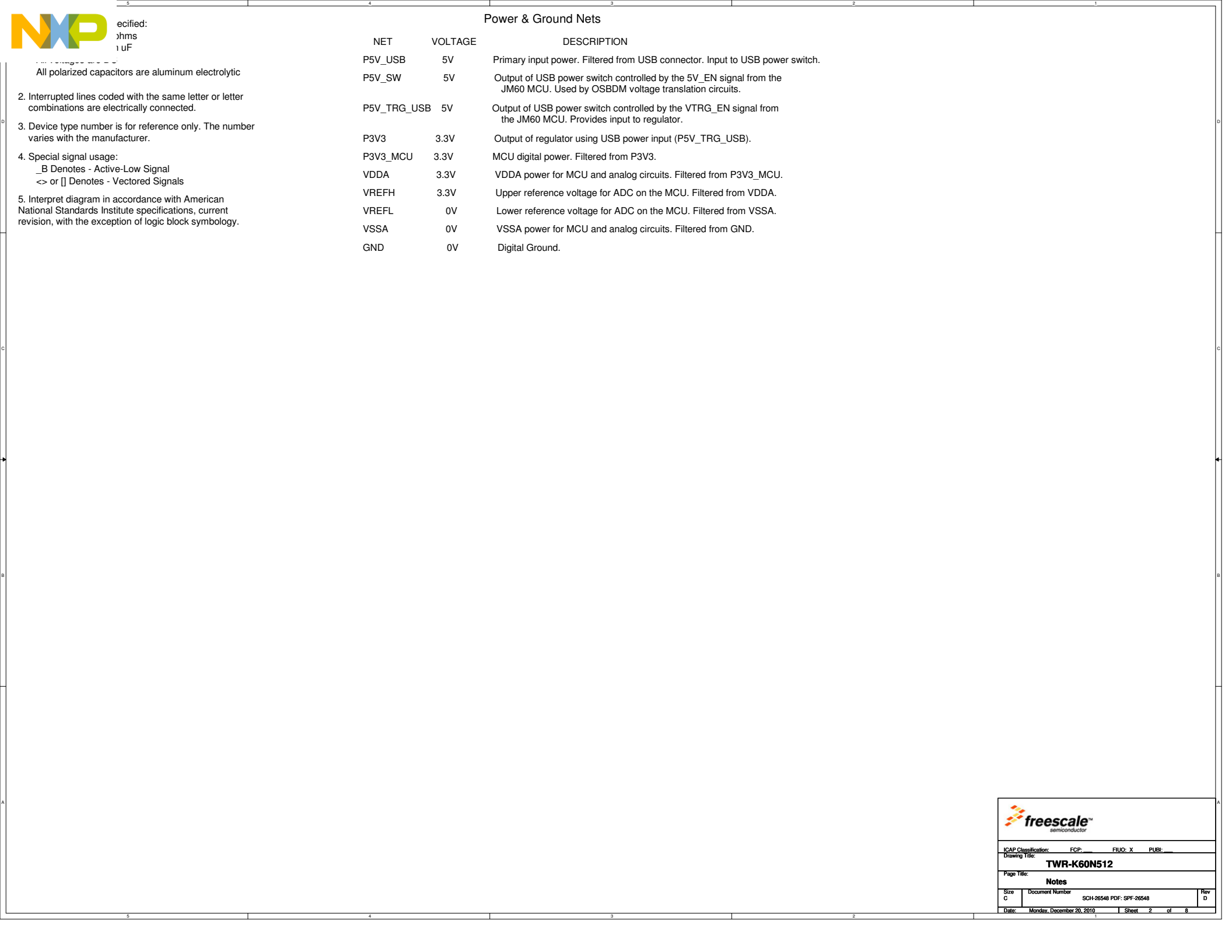


5	<b>Contents</b>
6	Peripherals
7	Sensors
8	Elevator Connectors

Revisions			
Rev	Description	Date	Approved
A	Proto Release	30 Jul 10	J.H.
B	Pilot Release	20 Sep 10	DK
C	Impliment ECO28507	11 Oct 10	J.H.
CX1	Changes per ECR05201	16 Dec 10	DK
D	Release for A085	20 Dec 10	DK

		<b>Microcontroller Solutions Group</b> 6501 William Cannon Drive West Austin, TX 78735-8598	
<small>This document contains information proprietary to Freescale Semiconductor and shall not be used for engineering design, procurement or manufacture in whole or in part without the express written permission of Freescale Semiconductor.</small>			
Designer: Jay Harvigsen		ICAP Classification: FOP: PUQ: X PUB:	
Drawn by: Manjula		<b>TWR-K60N512</b>	
<b>Table of Contents/Revisions</b>			
Approved: Jay Harvigsen	Size C	Document Number SCH-26548 PDF: SPF-26548	Rev D
Date: Monday, December 20, 2010		Sheet 1 of 8	

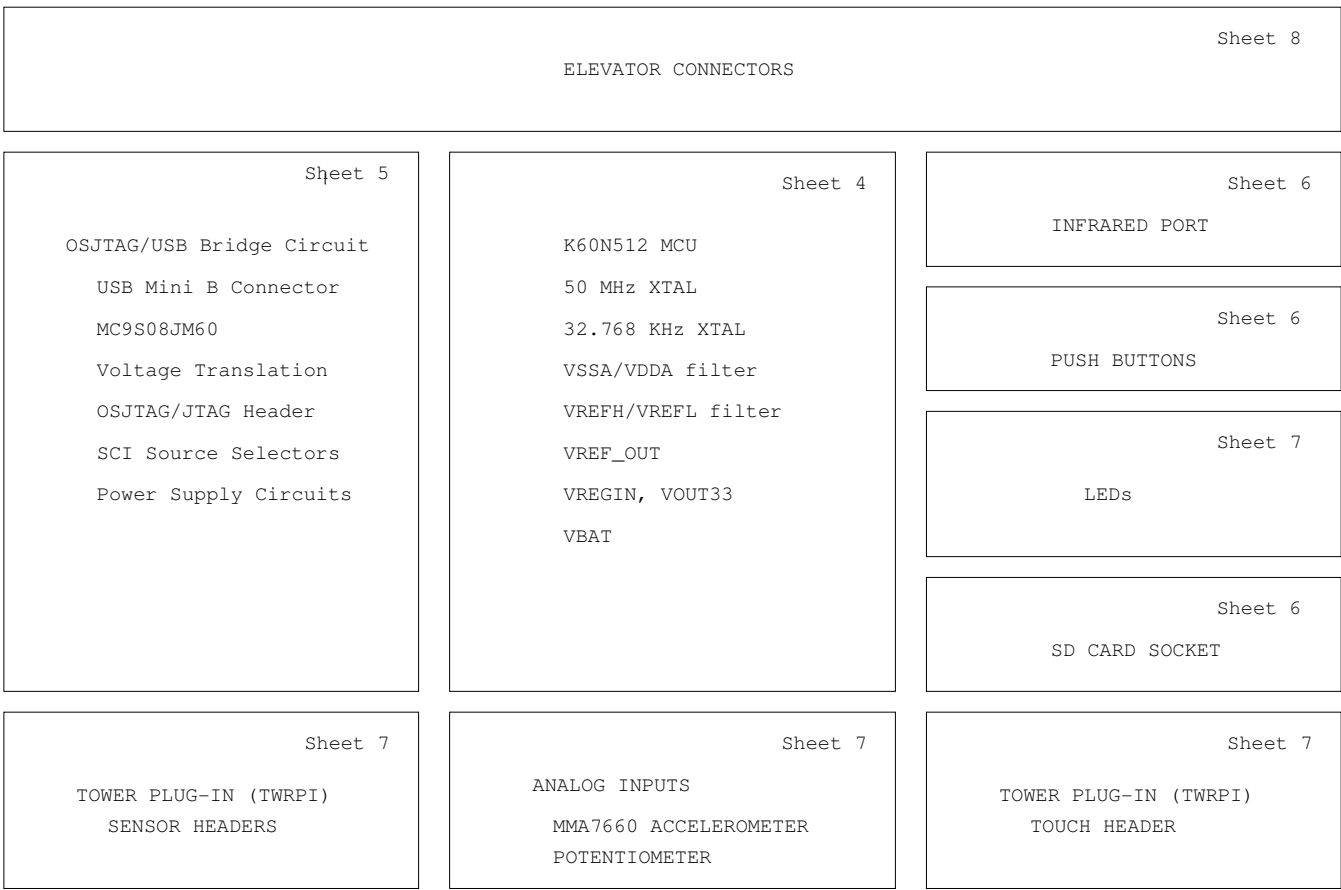


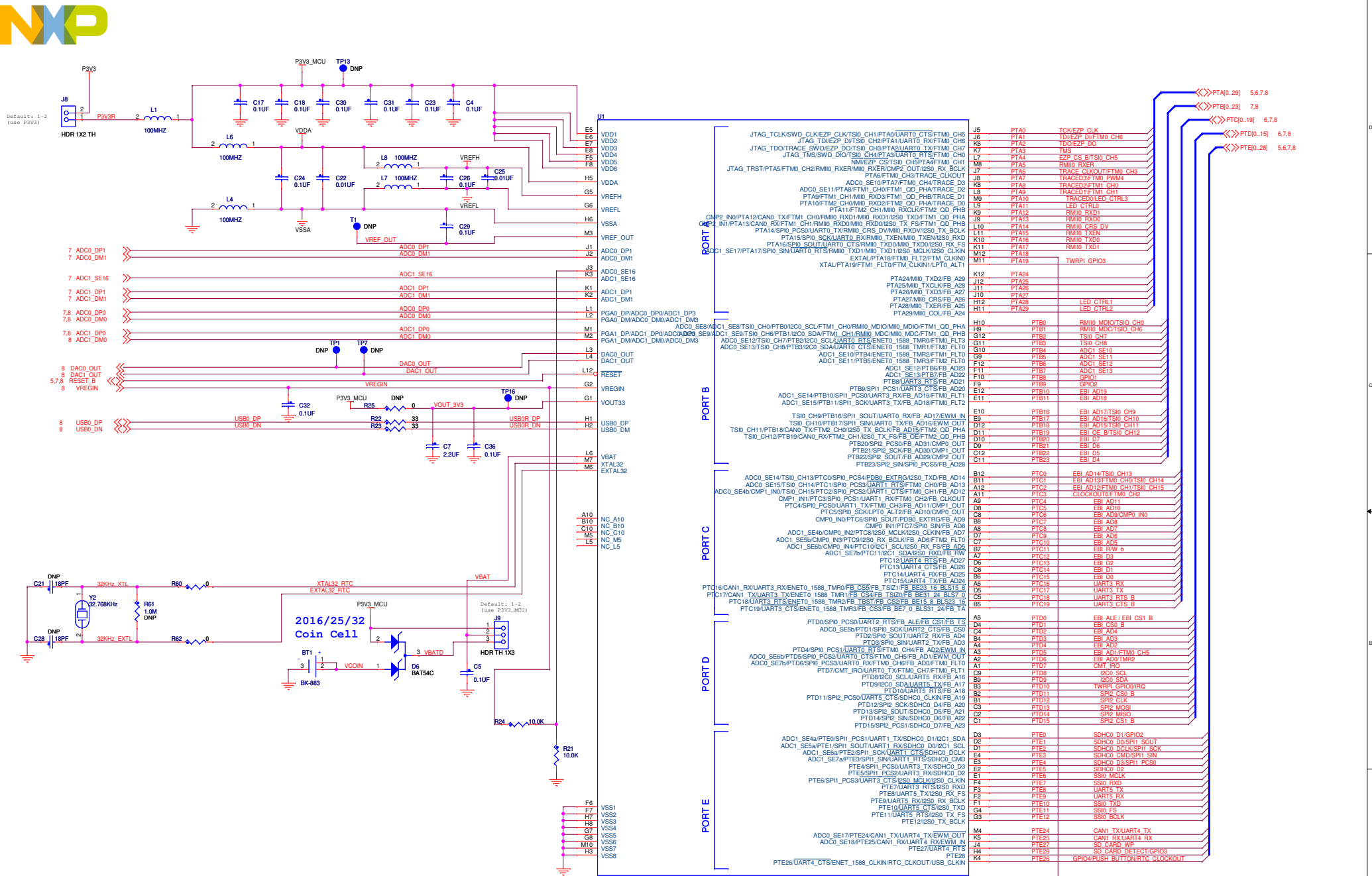
- ecified:  
 hms  
 1 uF
- All polarized capacitors are aluminum electrolytic
- Interrupted lines coded with the same letter or letter combinations are electrically connected.
  - Device type number is for reference only. The number varies with the manufacturer.
  - Special signal usage:  
 \_B Denotes - Active-Low Signal  
 <> or [] Denotes - Vectored Signals
  - Interpret diagram in accordance with American National Standards Institute specifications, current revision, with the exception of logic block symbology.

### Power & Ground Nets

NET	VOLTAGE	DESCRIPTION
P5V_USB	5V	Primary input power. Filtered from USB connector. Input to USB power switch.
P5V_SW	5V	Output of USB power switch controlled by the 5V_EN signal from the JM60 MCU. Used by OSBDM voltage translation circuits.
P5V_TRG_USB	5V	Output of USB power switch controlled by the VTRG_EN signal from the JM60 MCU. Provides input to regulator.
P3V3	3.3V	Output of regulator using USB power input (P5V_TRG_USB).
P3V3_MCU	3.3V	MCU digital power. Filtered from P3V3.
VDDA	3.3V	VDDA power for MCU and analog circuits. Filtered from P3V3_MCU.
VREFH	3.3V	Upper reference voltage for ADC on the MCU. Filtered from VDDA.
VREFL	0V	Lower reference voltage for ADC on the MCU. Filtered from VSSA.
VSSA	0V	VSSA power for MCU and analog circuits. Filtered from GND.
GND	0V	Digital Ground.

ICAP Classification: FCP: _____ FIUC: X PUBL: _____			
Drawing Title: <b>TWR-K60N512</b>			
Page Title: _____			
<b>Notes</b>			
Size C	Document Number SCH-26548 PDF: SPF-26548	Rev D	
Date: Monday, December 20, 2010	Sheet 2	of 8	



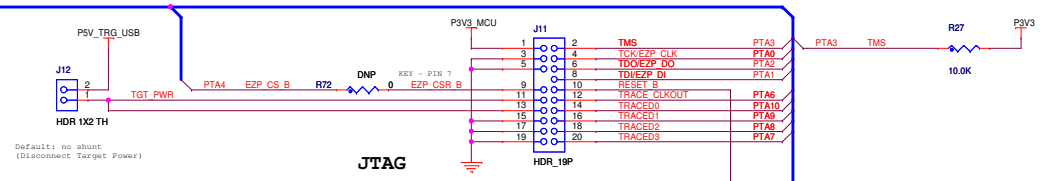


**freescale**  
semiconductor

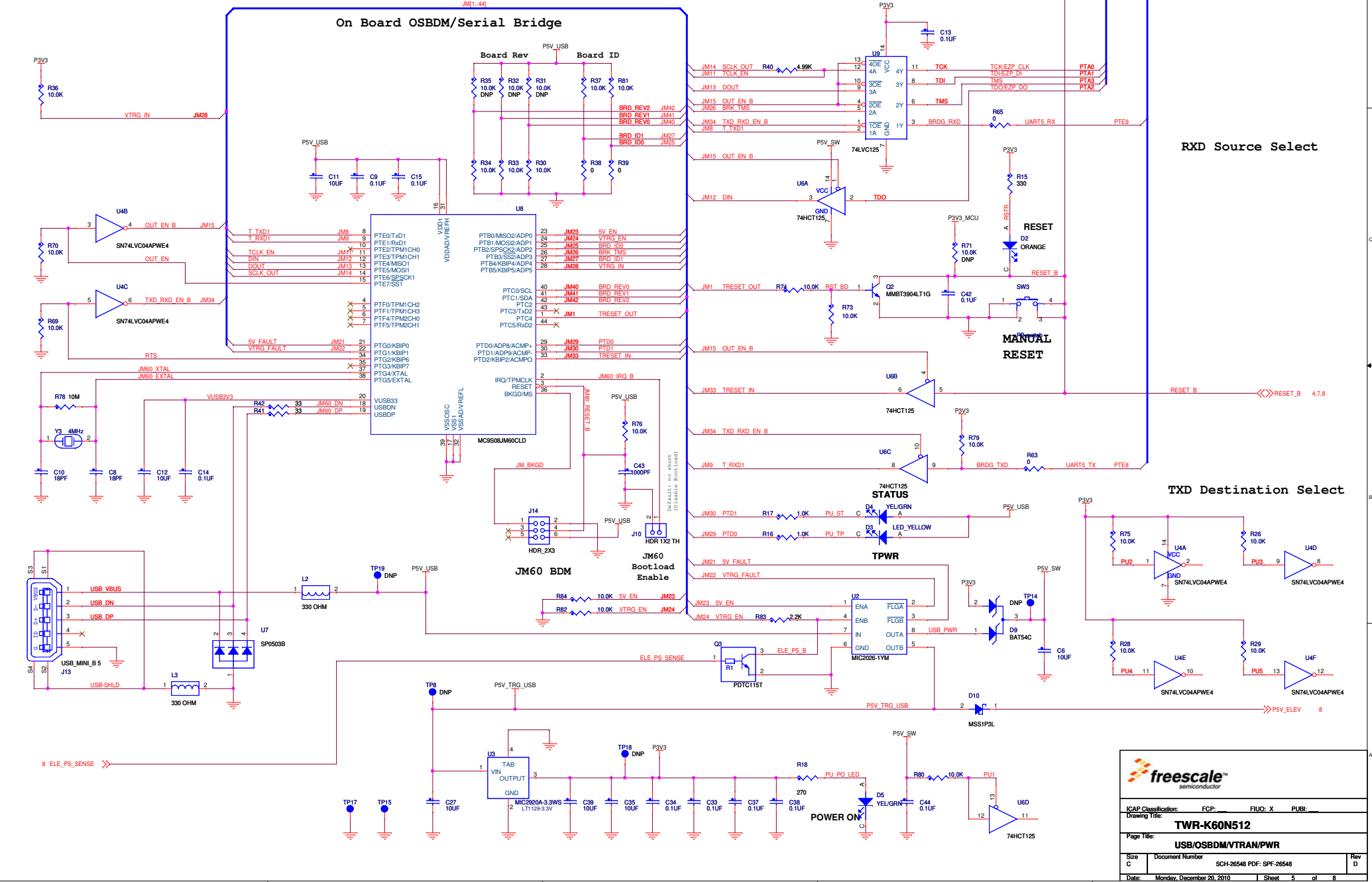
ICAP Classification: FCP: FIUC: X PUBL:  
Drawing Title: **TWR-K60N512**

Page Title: **K60N512 MCU**

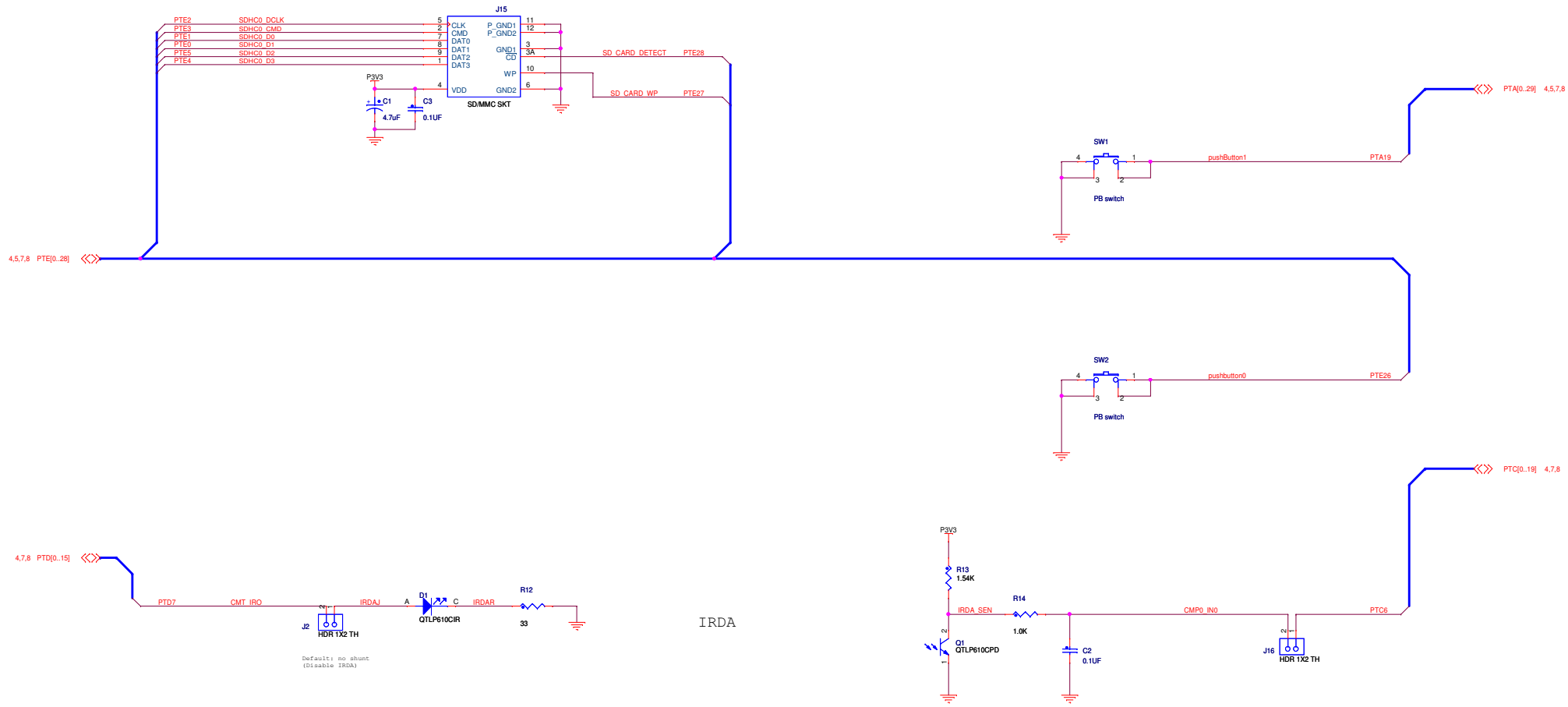
Size C	Document Number SCH-26548 PDF: SPF-26546	Rev D
Date: Monday, December 20, 2010	Sheet 4 of 8	



4.6,7,8 PTE[0..28] <<>



<b>freescale</b> semiconductor	
ICAP Classification: FCP:	FIUC: X PUBL:
<b>TWR-K60N512</b>	
<b>USB/OSBDM/VTRAN/PWR</b>	
Page Title:	Document Number: SCH-26548 PDF: SPF-26548
Size C	Rev D
Date: Monday, December 20, 2010	Sheet 5 of 8

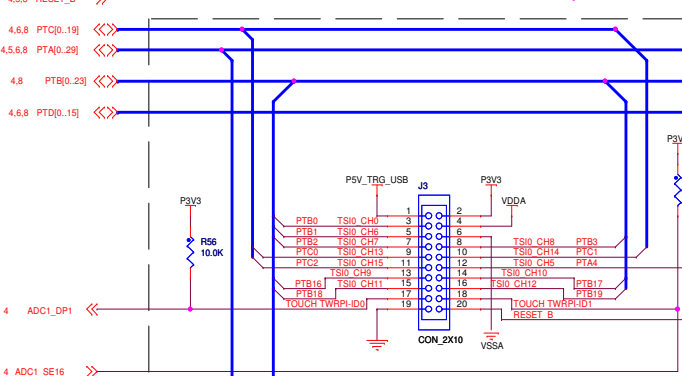
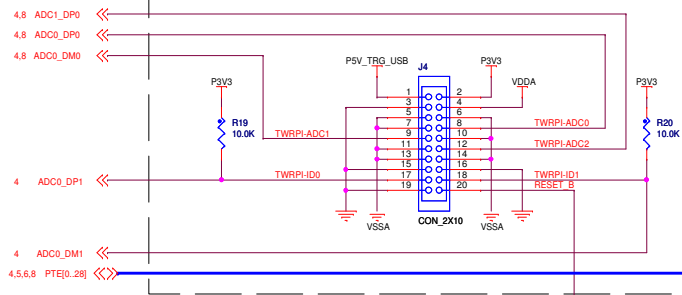


Default: no shunt  
(Disable IRDA)

ICAP Classification:		FCP:	FIUC: X PUBL:
<b>TWR-K60N512</b>			
<b>Peripherals</b>			
Size	Document Number	SCH-26548 PDF: SPF-26548	Rev D
C			
Date:	Monday, December 20, 2010	Sheet 6	of 8

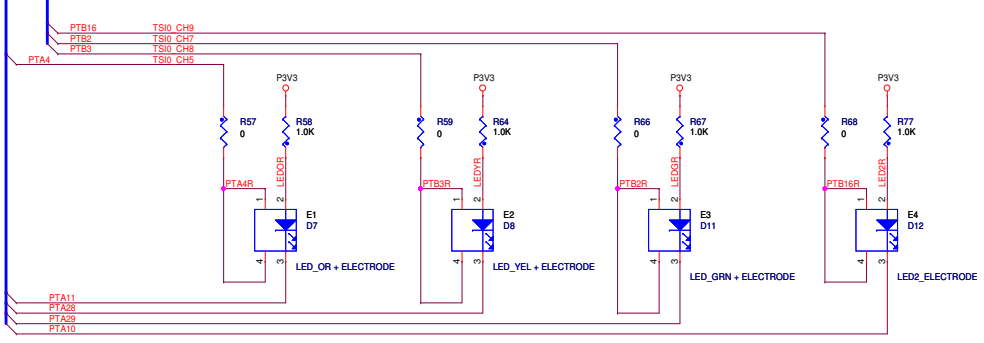


### GENERAL PURPOSE TWRPI

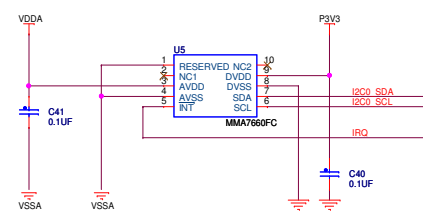


### TOUCH PAD TWRPI

### TOUCH ELECTRODES WITH LEADS



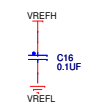
### ACCELEROMETER



### POTENTIOMETER



### VREF BYPASS



**freescale**  
 semiconductor

ICAP Classification: FCP: FIUC: X PUBI:  
 Drawing Title:  
**TWR-K60N512**

Page Title:  
**Sensors**

Size C	Document Number SCH-26548 PDF: SPF-26548	Rev D
--------	--	-------

Date: Monday, December 20, 2010 Sheet 7 of 8

