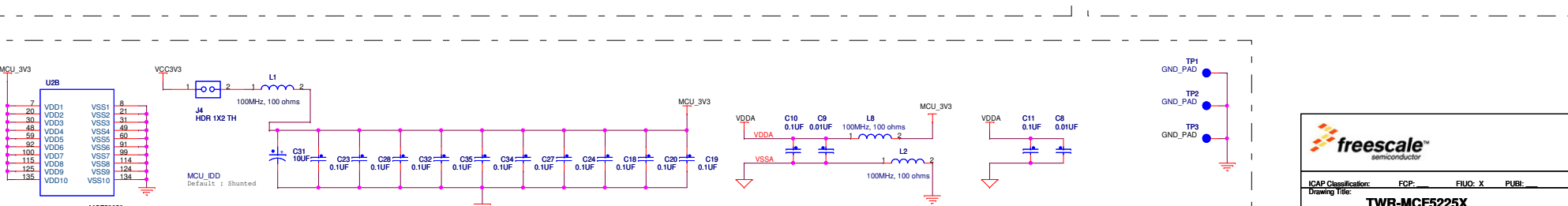
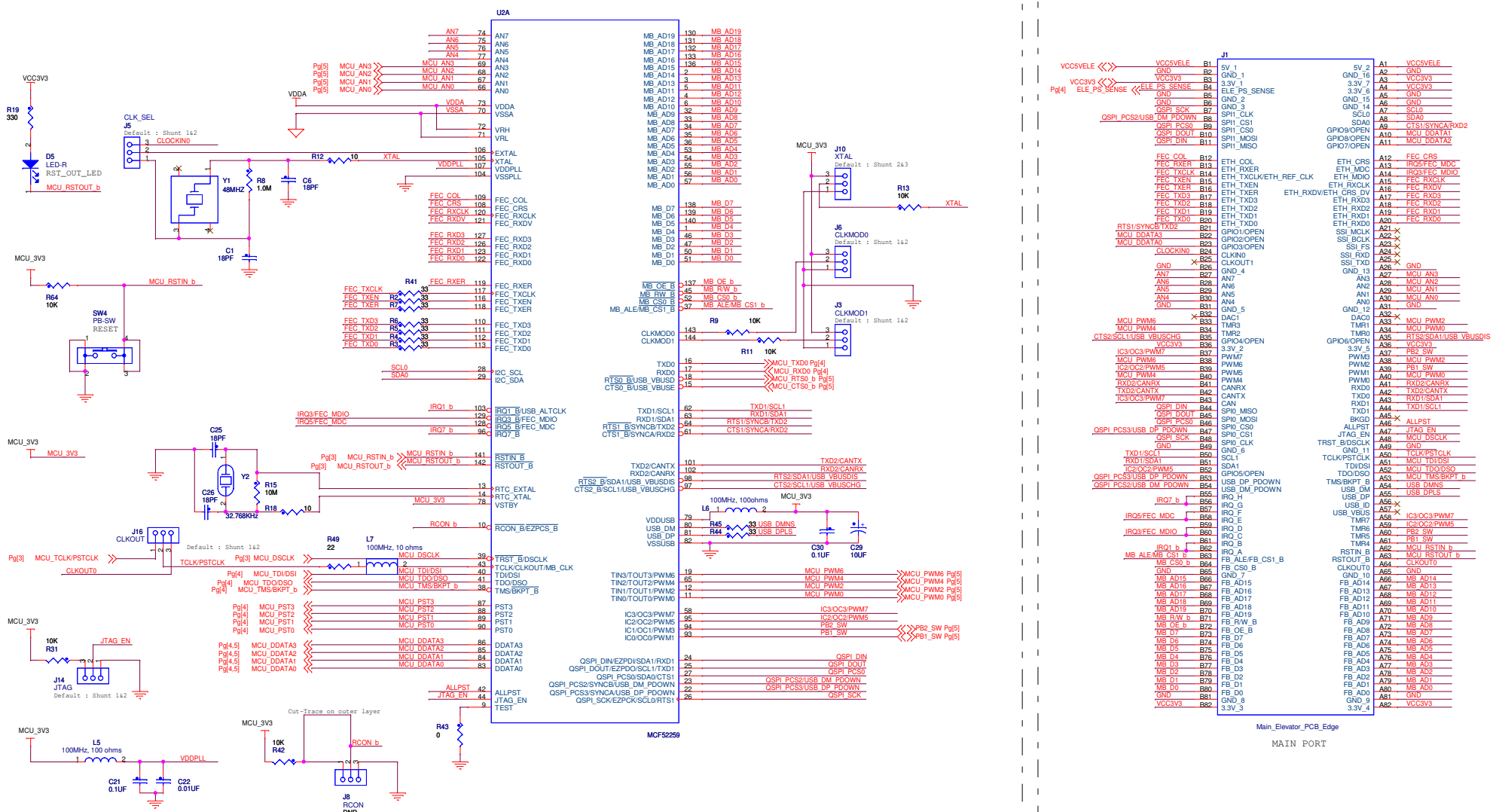




Contents	
5	PERIPHERALS
6	DUMMY PORT

Revisions			
Rev	Description	Date	Approved
B1	FCL Conversion	15-May-09	DK
C	Pilot Release	29-Jul-09	DK

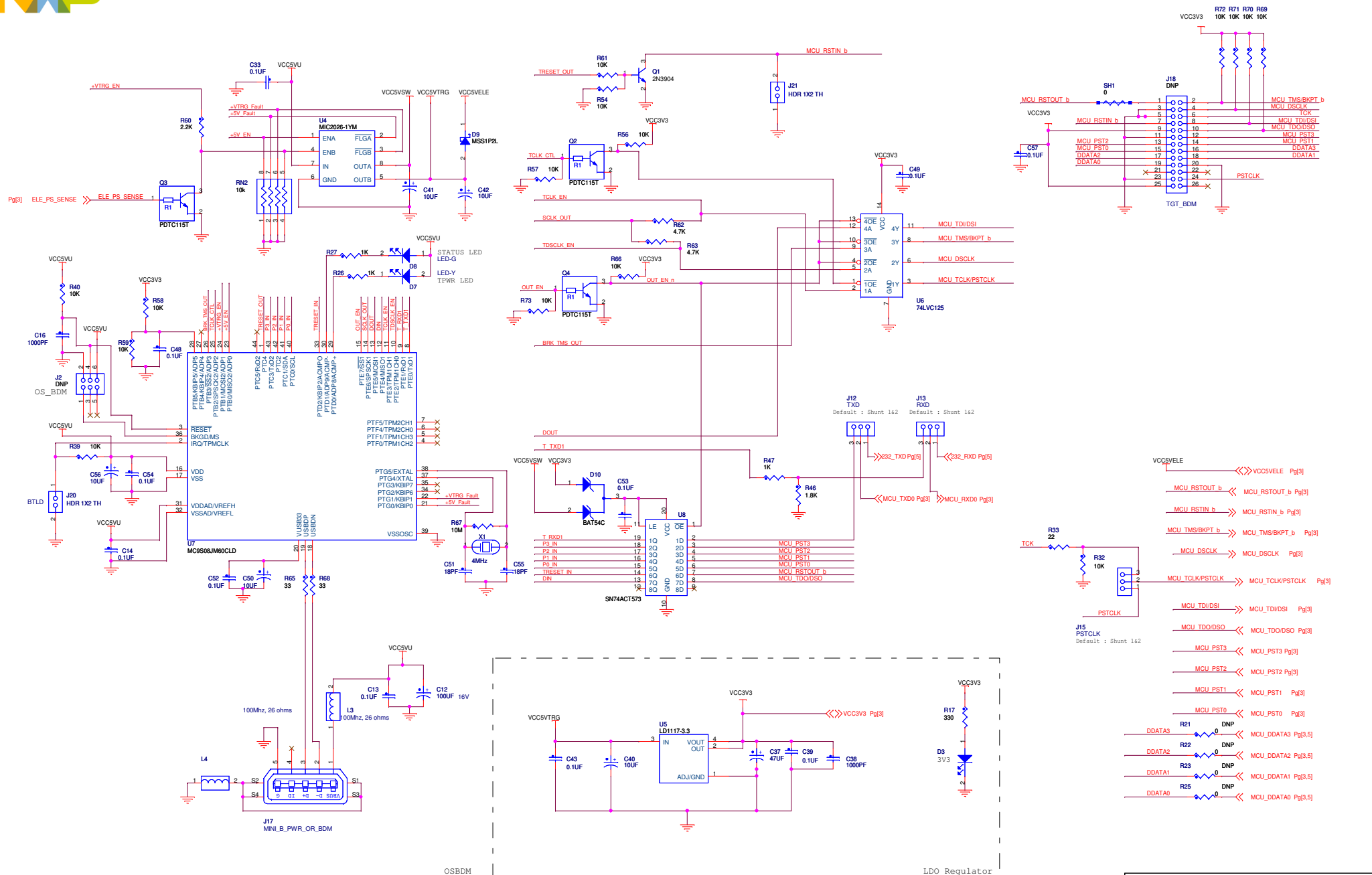
		<b>Developer Technology Group</b>	
		6501 William Cannon Drive West Austin, TX 78758-8598	
This document contains information proprietary to Freescale Semiconductor and shall not be used for engineering design, procurement or manufacture in whole or in part without the express written permission of Freescale Semiconductor.			
Designer: Daniel Kruceak		ICAP Classification: FCP: FIUQ: X PUBI:	
Drawing Title: Daniel Kruceak		<b>TWR-MCF5225X</b>	
Drawn by: Daniel Kruceak		Page Title: <b>TITLE PAGE</b>	
Approved: Daisy Chen	Size C	Document Number SCH-26008 PDF: SPF-26008	Rev C
Date: Wednesday, July 29, 2009		Sheet 1 of 6	



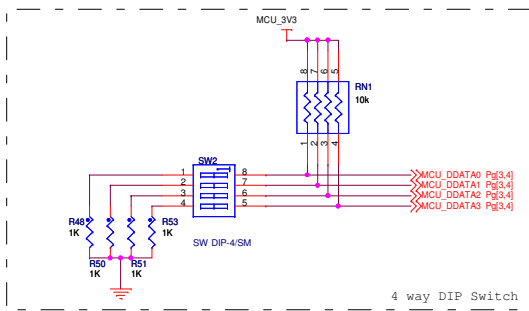
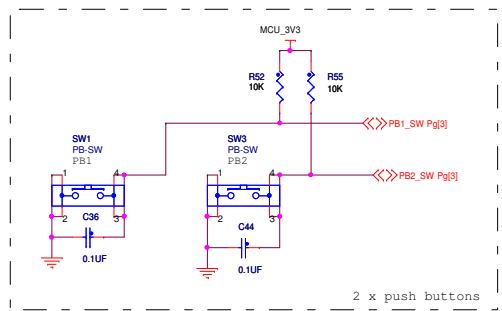
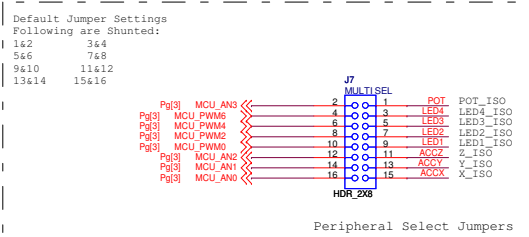
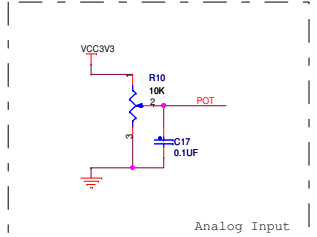
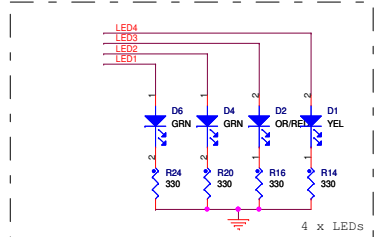
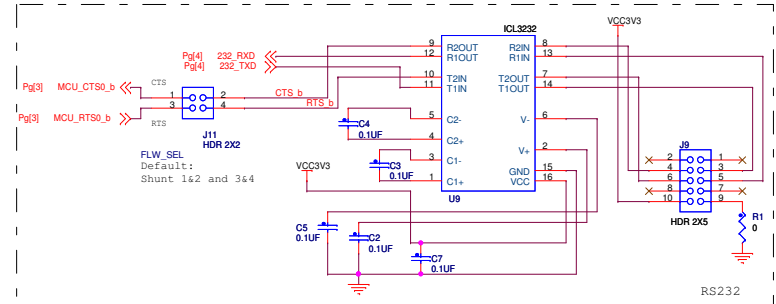
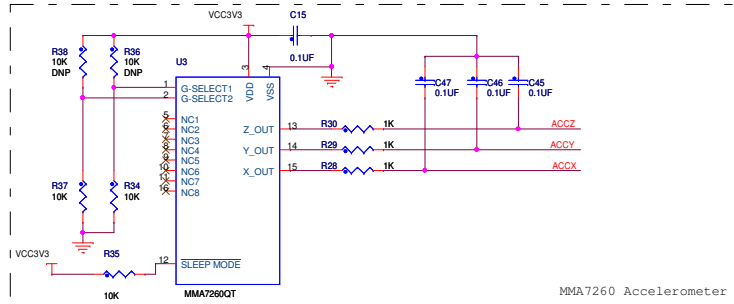
ICAP Classification: FCP: FIUC: X PUI:   
 Drawing Title: **TWR-MCF5225X**

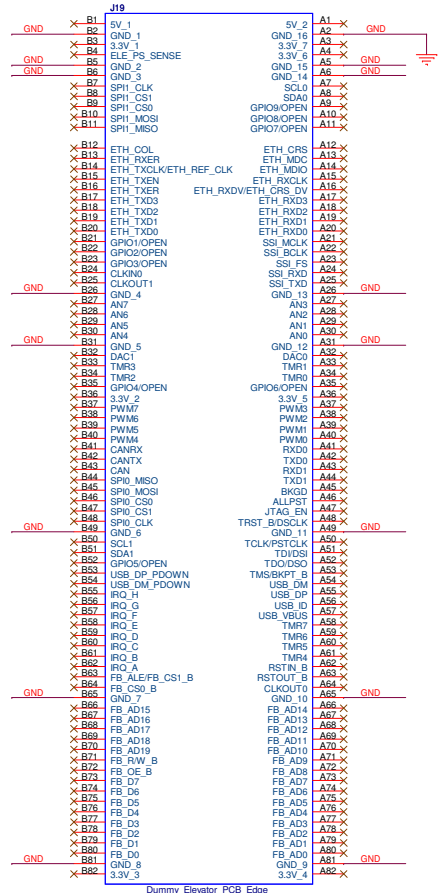
Page Title: **MCF52259 MCU**

Size C	Document Number SCH-26008 PDF: SPF-26008	Rev C
Date: Wednesday, July 29, 2009	Sheet 3	of 6



ICAP Classification: FCP: FIUC: X PUBL:		
<b>TWR-MCF5225X</b>		
<b>OSBDM AND POWER</b>		
Size C	Document Number SCH-26008 PDF: SPF-26008	Rev C
Date: Wednesday, July 29, 2009 Sheet 4 of 6		





Dummy\_Elevator\_PCB\_Edge  
DUMMY PORT



ICAP Classification: FCP: FUC: X PUB:			
Drawing Title: <b>TWR-MCF5225X</b>			
Page Title: <b>DUMMY PORT</b>			
Size C	Document Number SCH-26008 PDF: SPF-26008	Rev C	
Date: Wednesday, July 29, 2009	Sheet 6	of 6	