



# Table of Contents

1	TITLE PAGE
2	NOTES
3	SENSOR - 12KEYS TOUCHPAD

## Revisions

Rev	Description	Date	Approved
A	First release	19-Jan-10	P.Lajsner



### Microcontroller Solutions Group

6501 William Cannon Drive West  
Austin, TX 78735-8598

This document contains information proprietary to Freescale Semiconductor and shall not be used for engineering design, procurement or manufacture in whole or in part without the express written permission of Freescale Semiconductor.

ICAP Classification: FCP: FIUO: X PUBL:

Designer: Petr Gargulak	Drawing Title: <b>TWRPI-KEYPAD</b>		
Drawn by: Petr Gargulak	Page Title: <b>TITLE PAGE</b>		
Approved: Clark Jarvis	Size A	Document Number SCH-26468 PDF: SPF-26468	Rev A
Date: Tuesday, January 19, 2010		Sheet 1 of 3	

NOTES:



ICAP Classification: FCP: \_\_\_ FIUO: X PUBL: \_\_\_

Drawing Title:

**TWRPI-KEYPAD**

Page Title:

**NOTES**

Size  
A

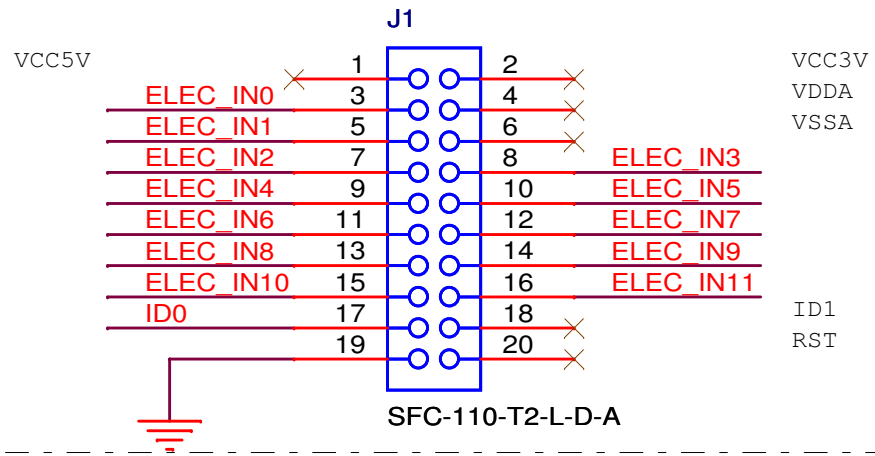
Document Number

SCH-26468 PDF: SPF-26468

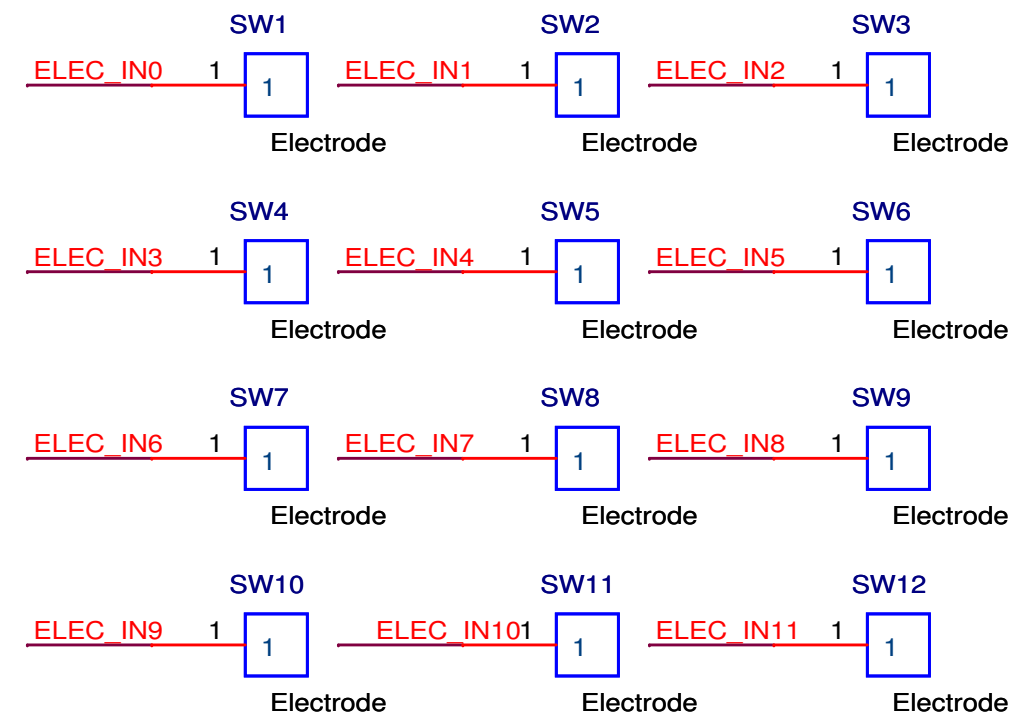
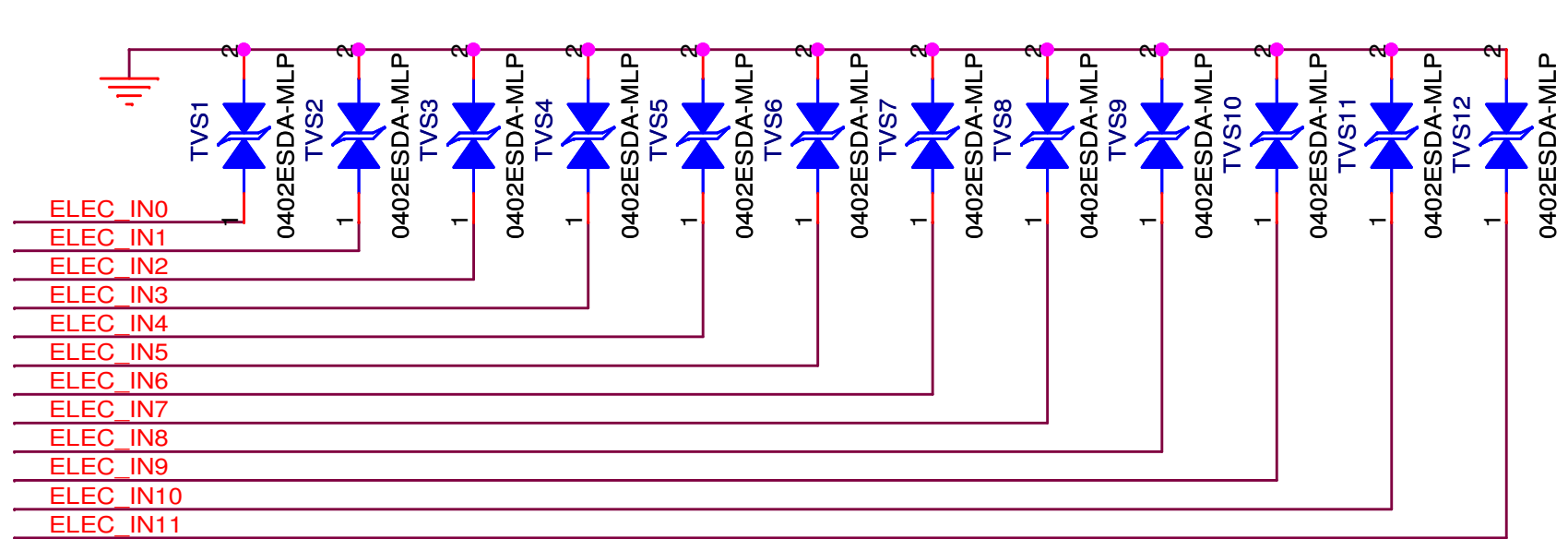
Rev  
A

Date: Thursday, January 14, 2010

Sheet 2 of 3

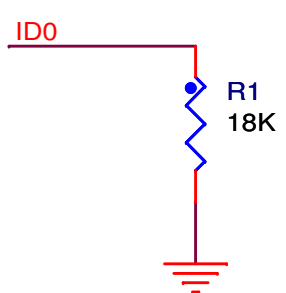


Module 'D'



12 Keys Touchpad

ID0= 62.5%, ID1 = 100%



Board ID

**freescale™**  
semiconductor

ICAP Classification: FCP:\_\_\_ FIUO: X PUBL:\_\_\_

Drawing Title: **TWRPI-KEYPAD**

Page Title: **SENSOR - 12KEYS TOUCHPAD**

Size A	Document Number SCH-26468 PDF: SPF-26468	Rev A
--------	--	-------

Date: Tuesday, January 19, 2010      Sheet 3 of 3