



Table of Contents

1	TITLE PAGE
2	NOTES
3	SENSOR - MPL115A

Revisions

Rev	Description	Date	Approved
A	First release	19-Jan-10	P. Lajsner



Microcontroller Solutions Group

6501 William Cannon Drive West
Austin, TX 78735-8598

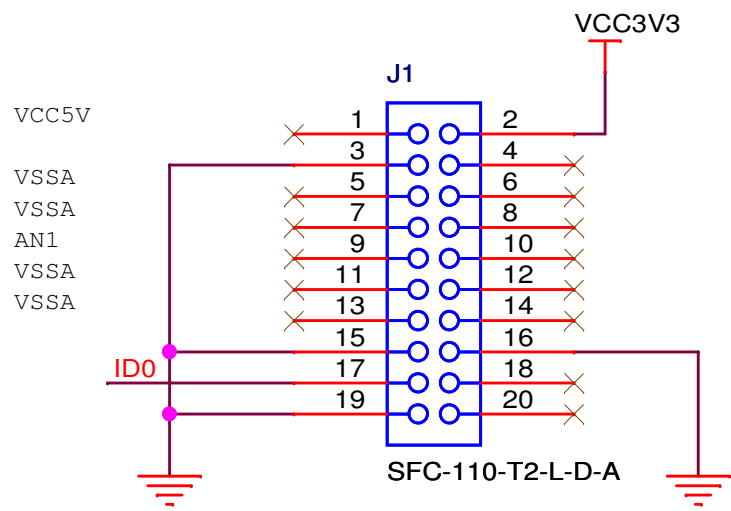
This document contains information proprietary to Freescale Semiconductor and shall not be used for engineering design, procurement or manufacture in whole or in part without the express written permission of Freescale Semiconductor.

ICAP Classification: FCP: FIUO: X PUBL:

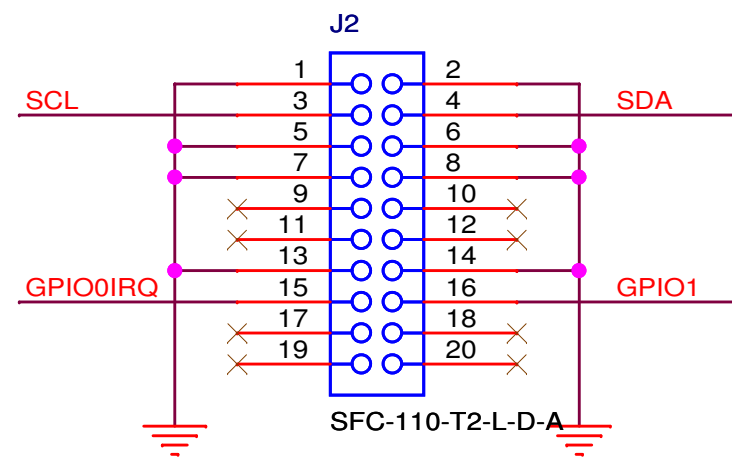
Designer: Petr Gargulak	Drawing Title: TWRPI-MPL115A		
Drawn by: Petr Gargulak	Page Title: TITLE PAGE		
Approved: Clark Jarvis	Size A	Document Number SCH-26465 PDF: SPF-26465	Rev A
Date: Tuesday, January 19, 2010		Sheet 1 of 3	

NOTES:

ICAP Classification: FCP: ___ FIUO: X PUBI: ___		
Drawing Title: TWRPI-MPL115A		
Page Title: NOTES		
Size A	Document Number SCH-26465 PDF: SPF-26465	Rev A
Date:	Thursday, January 14, 2010	Sheet 2 of 3



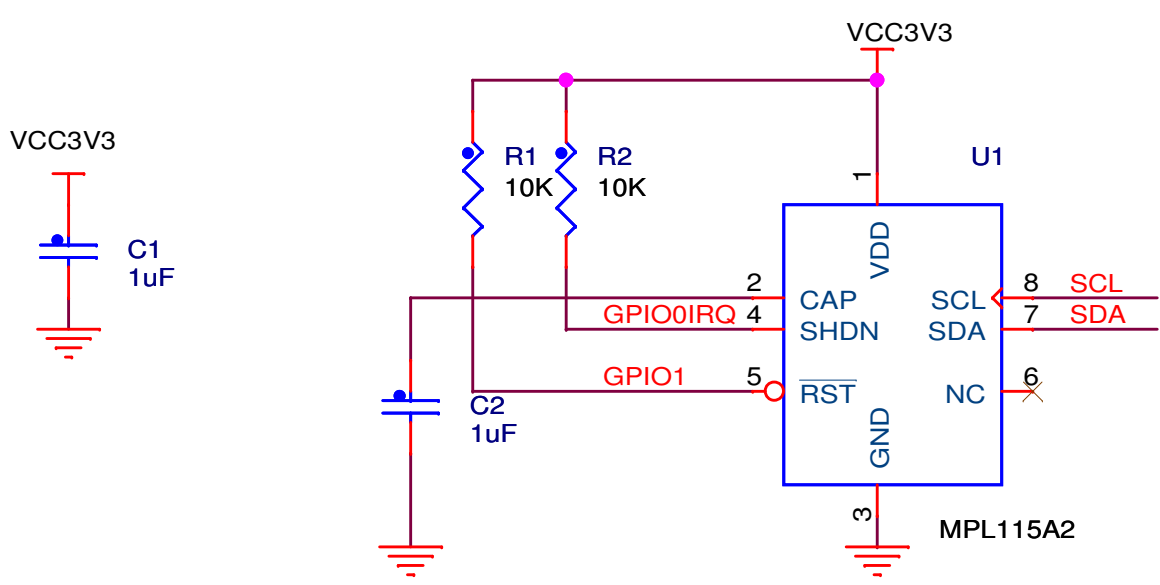
VDDA
VSSA
AN0
VSSA
AN2
VSSA
ID1
RST



SPI_MISO
SPI_SS
GPIO2
NC

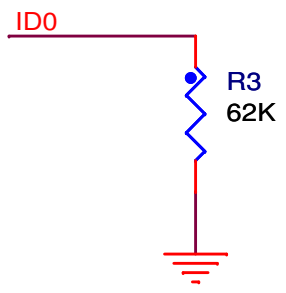
SPI_MOSI
SPI_CLK
GPIO3
NC

Module 'AB'



Sensor MPL115A

Id1 signal is not connected
to create combination : ID0
= 87.5%, ID1 = 100%



Board ID



ICAP Classification: FCP:___ FIUO: X PUBI:___		
Drawing Title: TWRPI-MPL115A		
Page Title: SENSOR - MPL115A		
Size A	Document Number SCH-26465 PDF: SPF-26465	Rev A
Date:	Tuesday, January 19, 2010	Sheet 3 of 3