



Table of Contents

1	TITLE PAGE
2	NOTES
3	SENSOR - 8 ROTARY WITH CENTRAL

Revisions

Rev	Description	Date	Approved
A	First release	19-Jan-10	P.Lajsner



Microcontroller Solutions Group

6501 William Cannon Drive West
Austin, TX 78735-8598

This document contains information proprietary to Freescale Semiconductor and shall not be used for engineering design, procurement or manufacture in whole or in part without the express written permission of Freescale Semiconductor.

ICAP Classification: FCP: FIUO: X PUBL:

Designer:
Petr Gargulak

Drawing Title:

TWRPI-ROTARY

Drawn by:
Petr Gargulak

Page Title:

TITLE PAGE

Approved:
Clark Jarvis

Size
A

Document Number

SCH-26490 PDF: SPF-26490

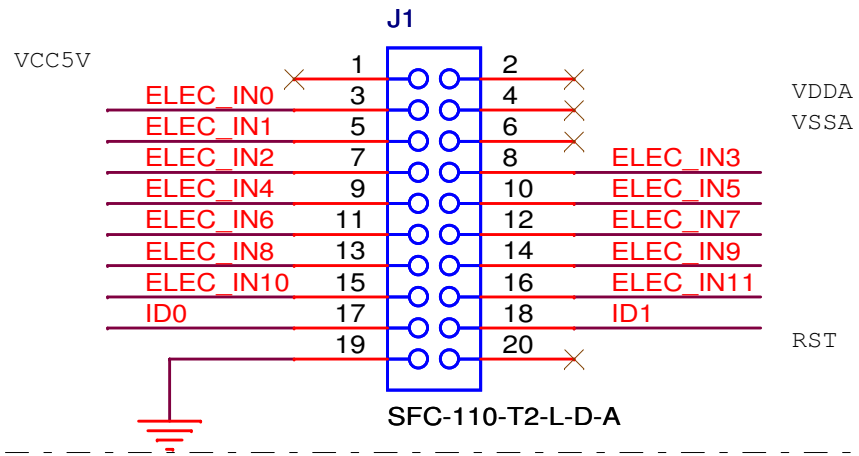
Rev
A

Date: Tuesday, January 19, 2010

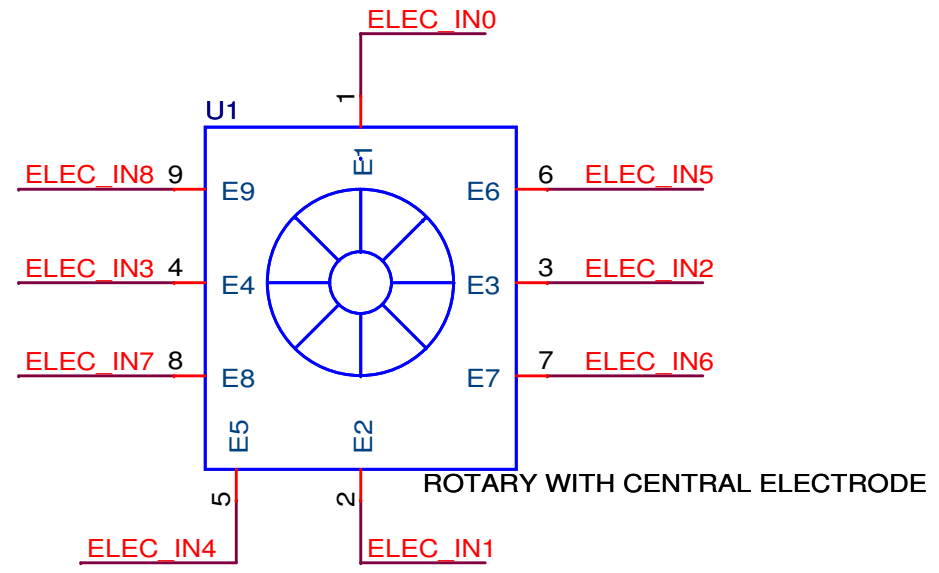
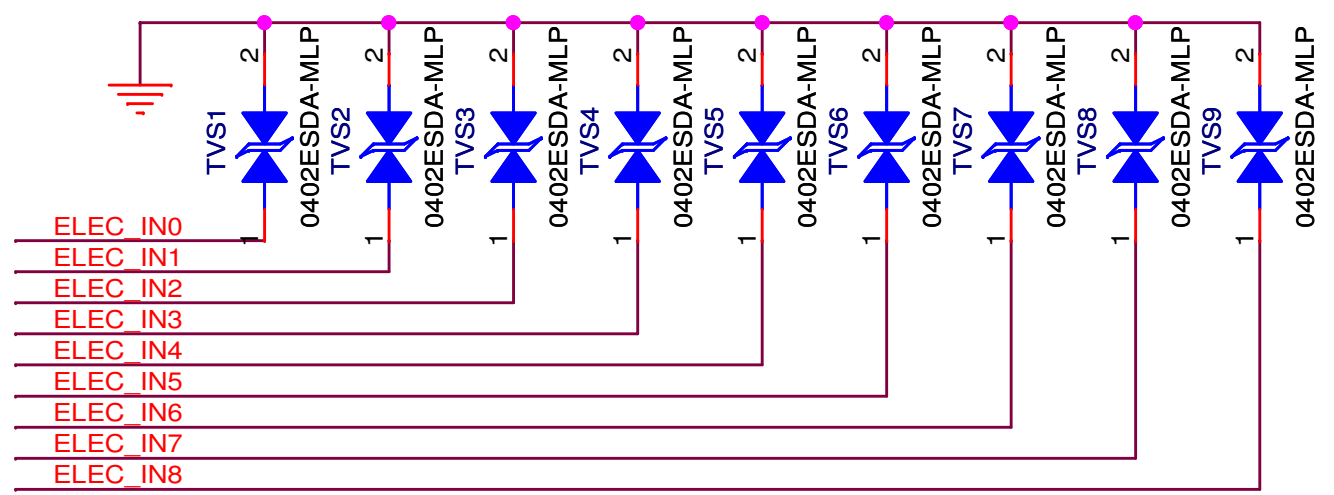
Sheet 1 of 3

NOTES:

ICAP Classification: FCP: ___ FIUO: X PUBL: ___		
Drawing Title: TWRPI-ROTARY		
Page Title: NOTES		
Size A	Document Number SCH-26490 PDF: SPF-26490	Rev A
Date:	Wednesday, January 13, 2010	Sheet 2 of 3

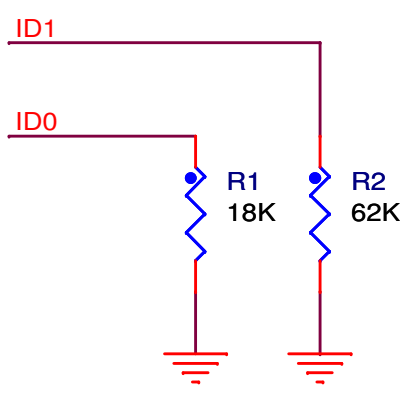


Module 'D'



8 ROTARY WITH CENTRAL

ID0= 62.5%, ID1 = 87.5%



Board ID



ICAP Classification: FCP:___ FIUO: X PUBL:___		
Drawing Title: TWRPI-ROTARY		
Page Title: SENSOR - 8 ROTARY WITH CENTRAL		
Size A	Document Number SCH-26490 PDF: SPF-26490	Rev A
Date: Tuesday, January 19, 2010	Sheet 3 of 3	