


Table of Contents

2	NOTES
3	Block Diagram
4	K22F USB and OpenSDA
5	KW01 MICROCONTROLLER

Revisions

Rev	Description	Date	Approved
A	Initial Release	6/25/2015	

USB-KW019032

		Wireless Connectivity Operation	
		6501 William Cannon Drive West Austin, TX 78735-8598	
<small>This document contains information proprietary to Freescale Semiconductor and shall not be used for engineering design, procurement or manufacture in whole or in part without the express written permission of Freescale Semiconductor.</small>			
Designer: A. Quiroz		ICAP Classification: FCP: X FIUO: PUBI:	
Drawing Title: AVID		USB-KW019032	
Drawn by: AVID		Page Title: TITLE PAGE	
Approved: A. Quiroz		Size C	Document Number SCH-28746
Date: Thursday, June 25, 2015		Sheet 1	of 5

5 4 3 2 1

TODO: UPDATE REFDES and NOTES

1. Unless Otherwise Specified:

- All resistors are in ohms, 5%, 1/8 Watt
- All capacitors are in uF, 20%, 50V
- All voltages are DC
- All polarized capacitors are aluminum electrolytic


2. Interrupted lines coded with the same letter or letter combinations are electrically connected.

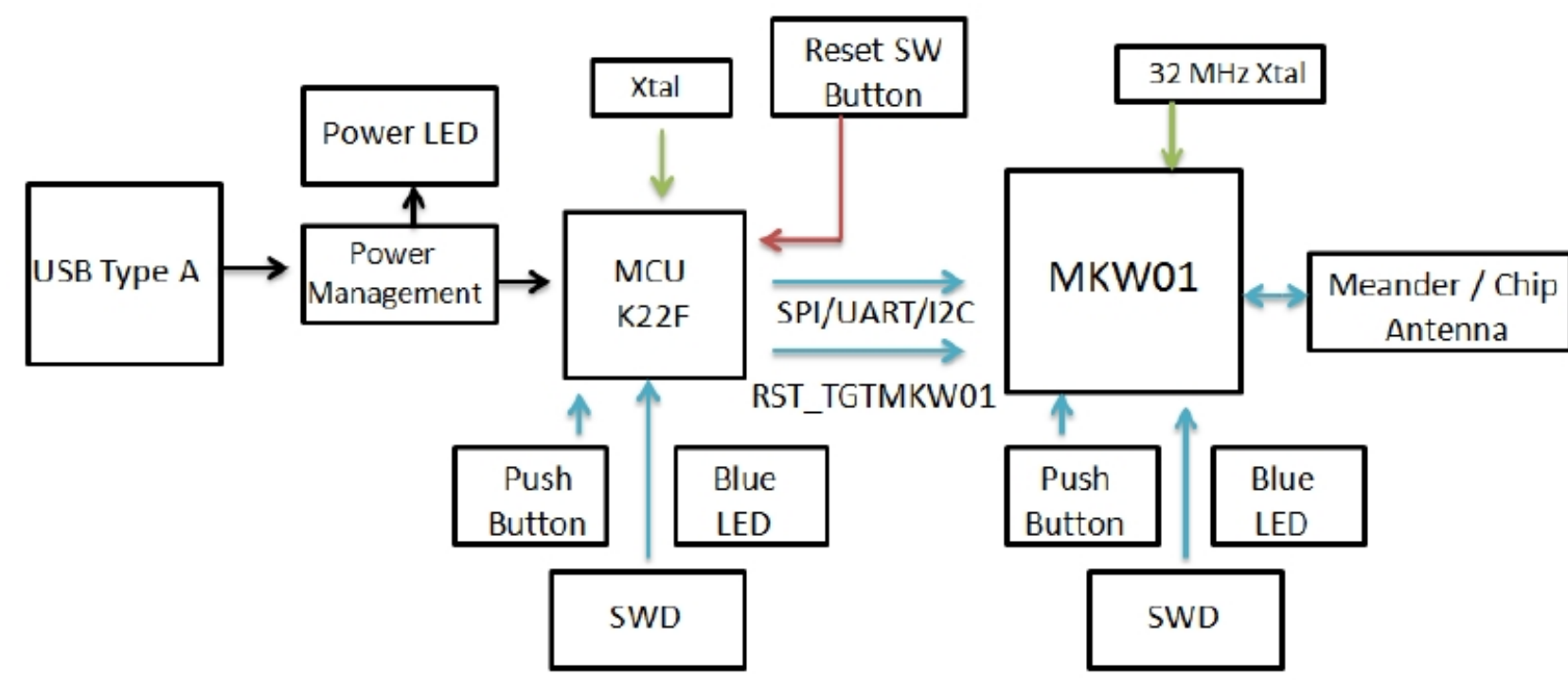
3. Device type number is for reference only. The number varies with the manufacturer.

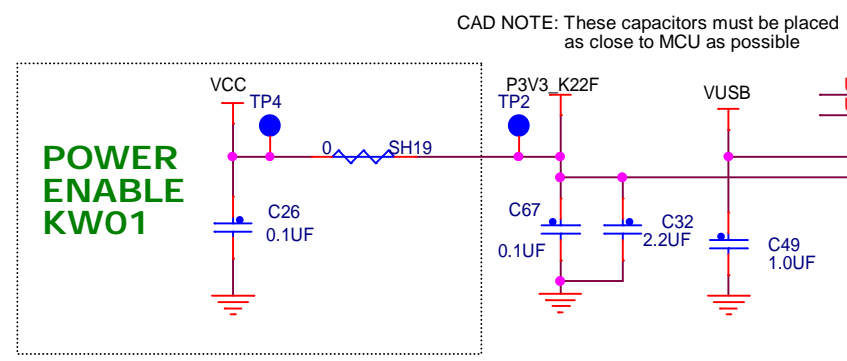
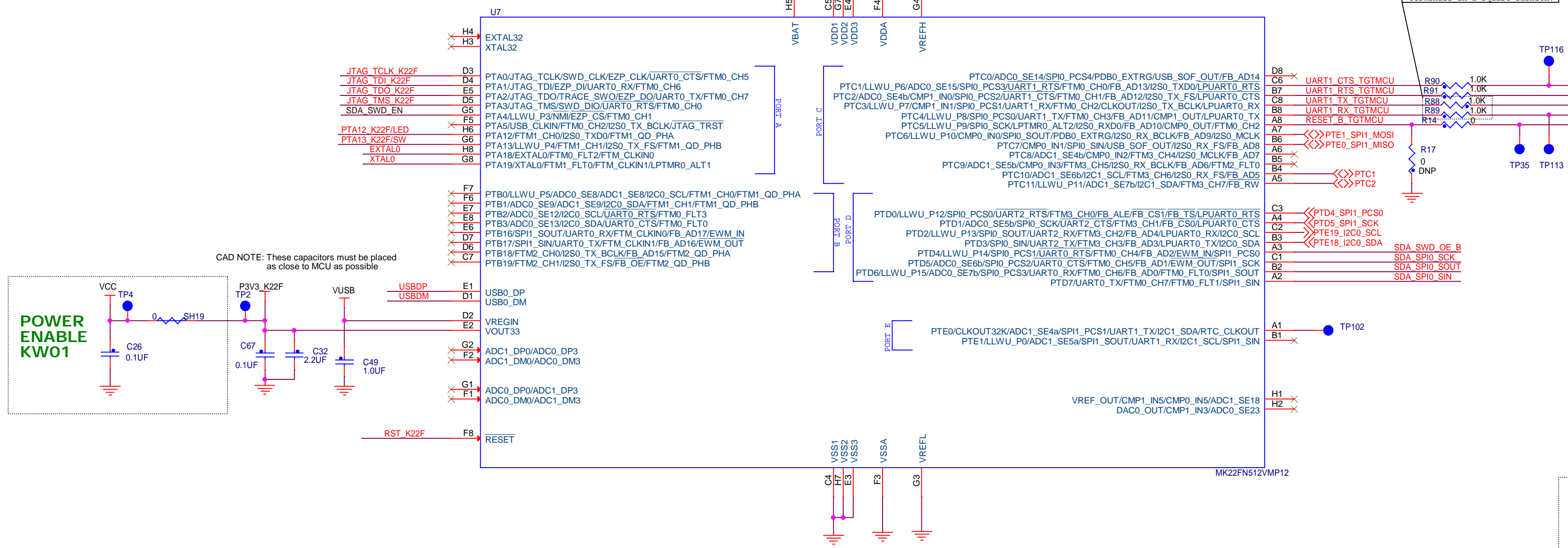
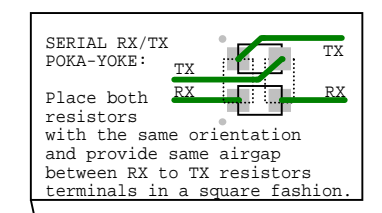
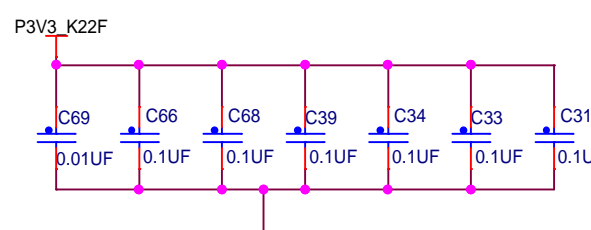
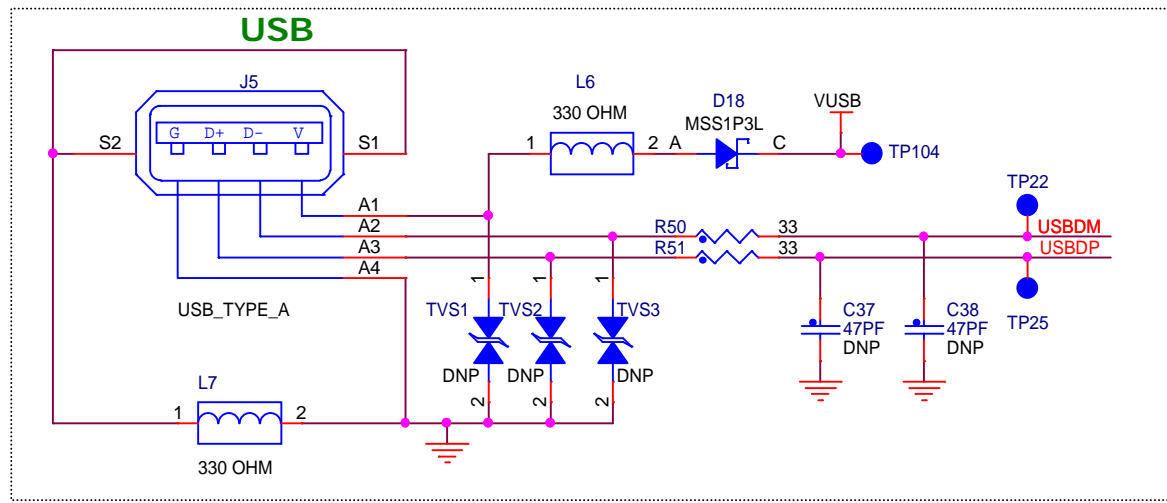
4. Special signal usage:

- _B Denotes - Active-Low Signal
- <> or [] Denotes - Vectored Signals

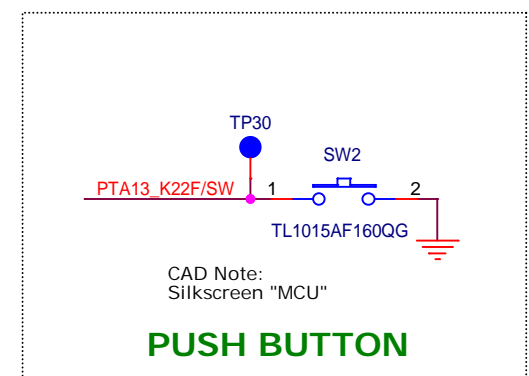
5. Interpret diagram in accordance with American National Standards Institute specifications, current revision, with the exception of logic block symbology.

			
ICAP Classification:		FCP: X	FIUO: PUBI:
Drawing Title:			
USB-KW019032			
Page Title:			
NOTES			
Size	Document Number		Rev
C	SCH-28746		A
Date:	Thursday, May 28, 2015	Sheet 2 of 5	1

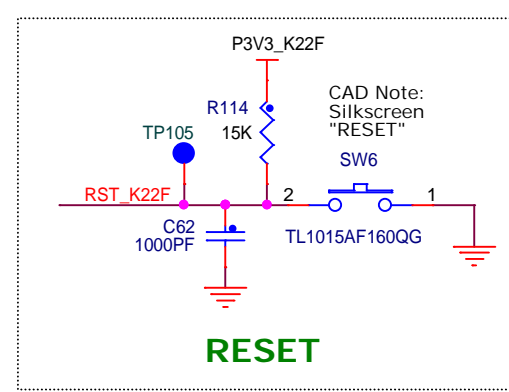
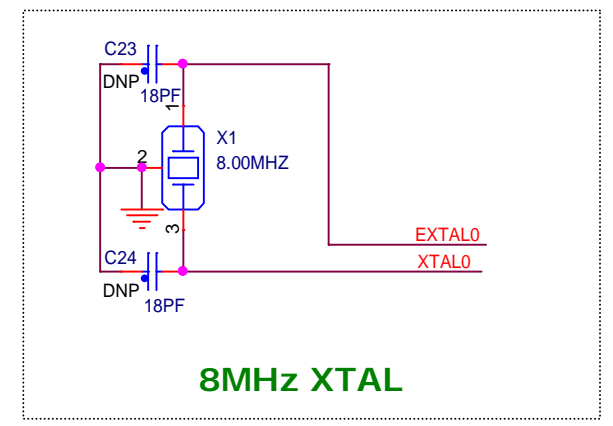
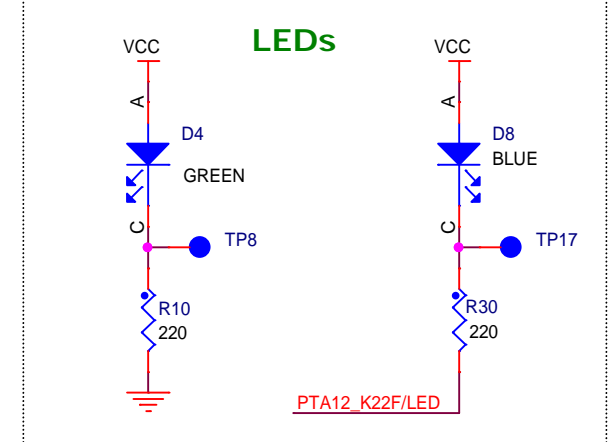




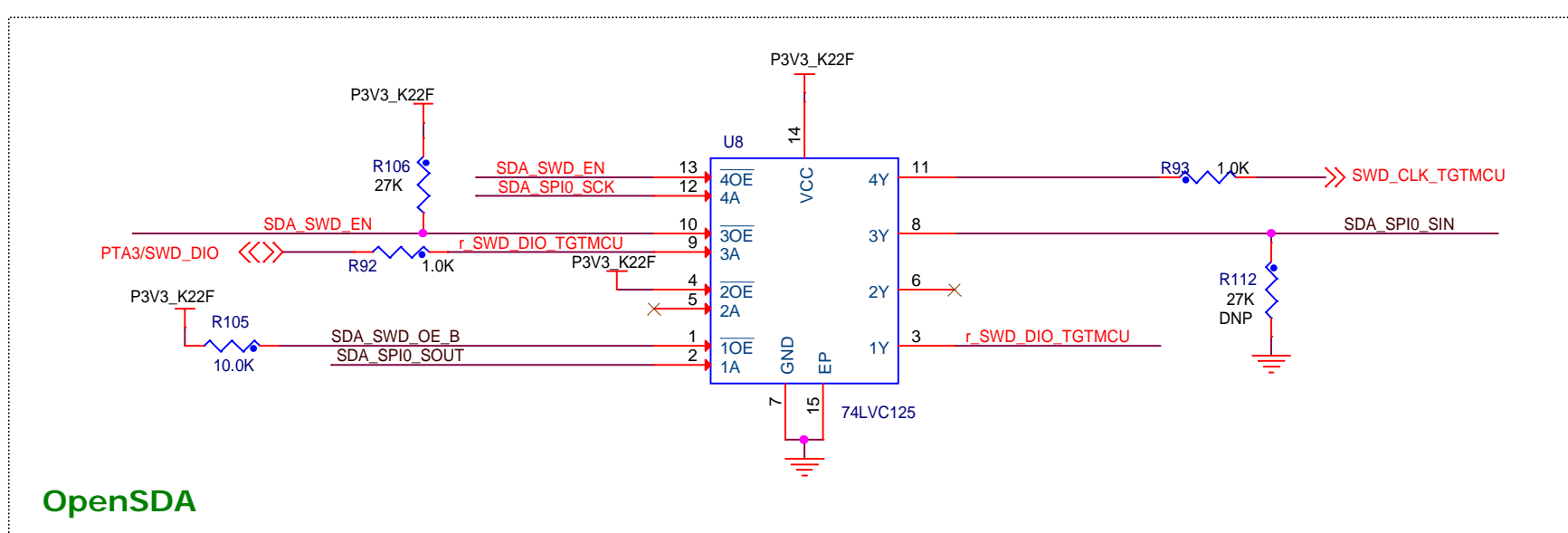
CAD NOTE: These capacitors must be placed as close to MCU as possible



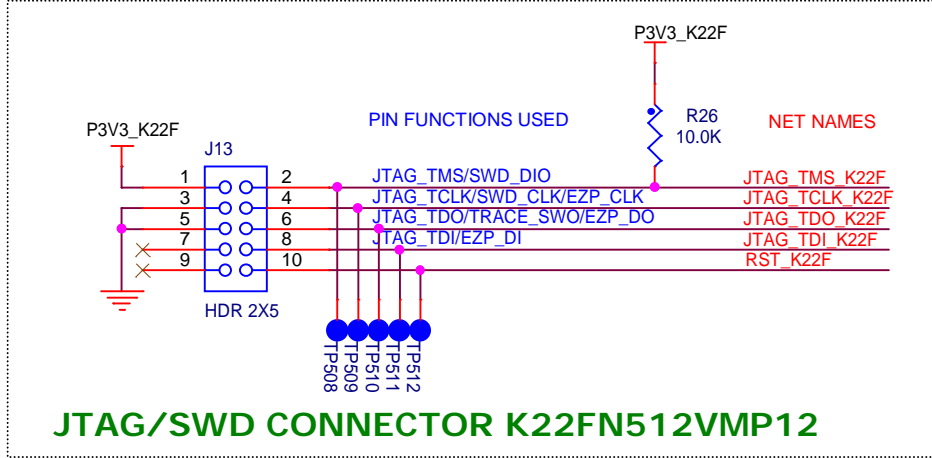
CAD Note: Silkscreen "MCU"



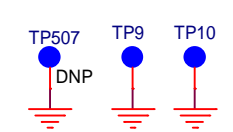
RESET



OpenSDA



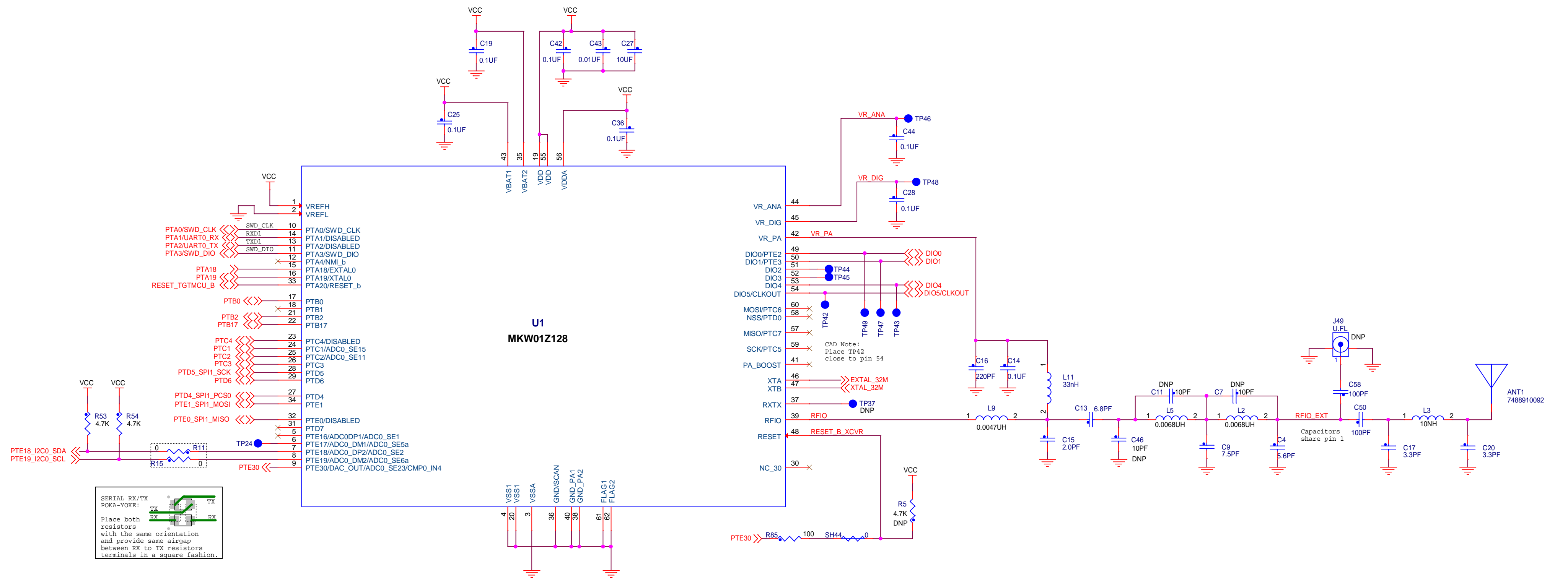
JTAG/SWD CONNECTOR K22FN512VMP12



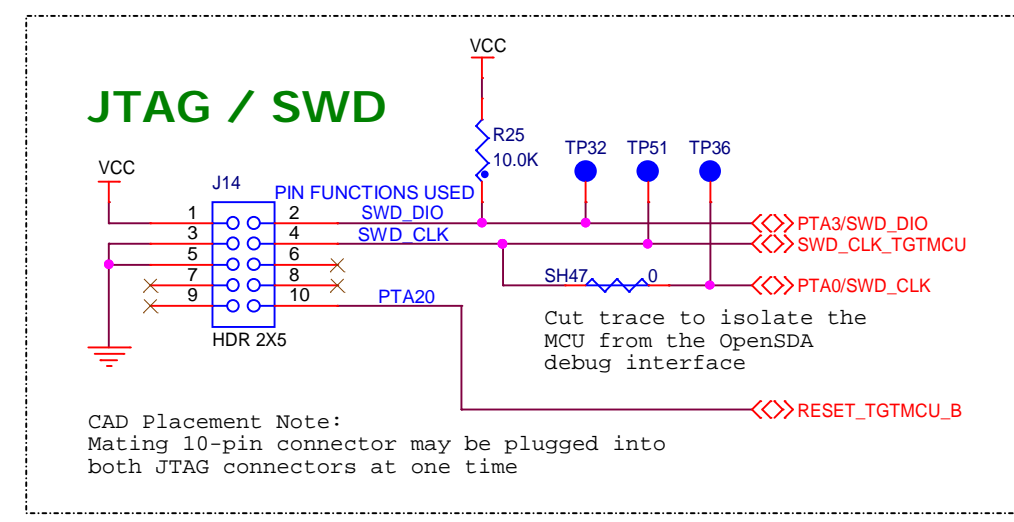
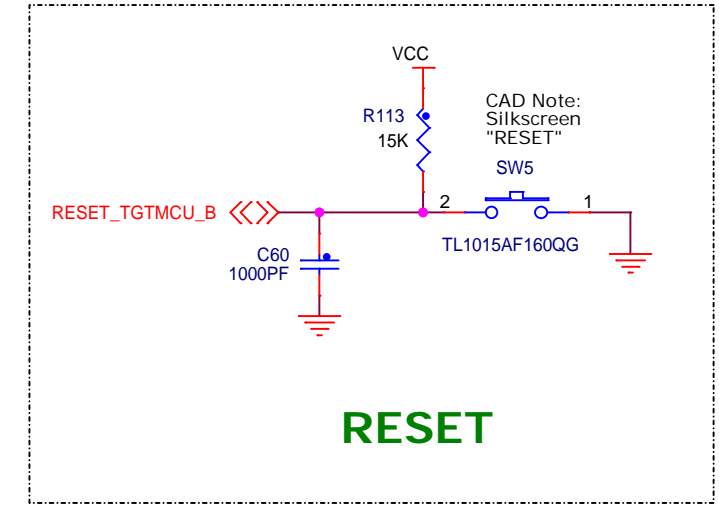
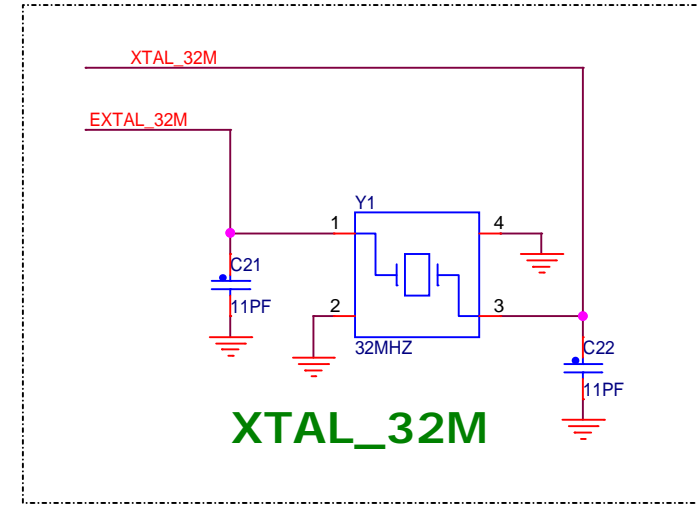
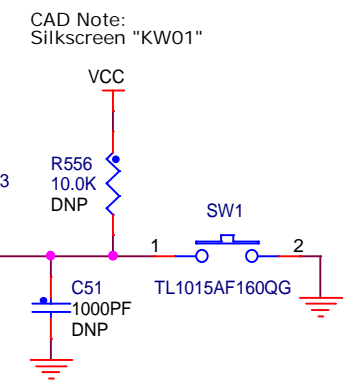
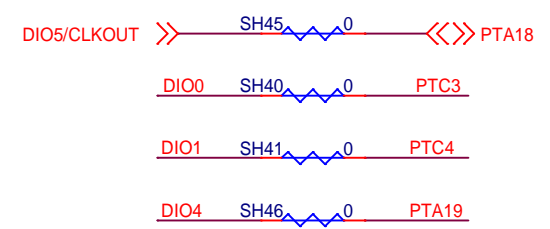
freescale
semiconductor

ICAP Classification: FCP: _____ FIUO: X PUBL: _____
 Drawing Title: **USB-KW019032**
 Page Title: **K22F USB and OpenSDA**

Size C	Document Number SCH-28746	Rev A
Date: Wednesday, June 24, 2015	Sheet 4 of 5	



SERIAL RX/TX
POKA-YOKE:
Place both resistors with the same orientation and provide same airgap between RX to TX resistors terminals in a square fashion.



CAD Note:
Board shall be 100% testable

ICAP Classification: FCP: _____ FIUO: X PUBL: _____		
Drawing Title: USB-KW019032		
Page Title: MICROCONTROLLER		
Size C	Document Number SCH-28746	Rev A
Date: Thursday, June 25, 2015	Sheet 5 of 5	