


Table of Contents	
2	NOTES
3	MAIN SCHEMATIC
4	USB INTERFACE


Revisions			
Rev	Description	Date	Approved
A	Initial Release	8/19/2015	A. QUIROZ

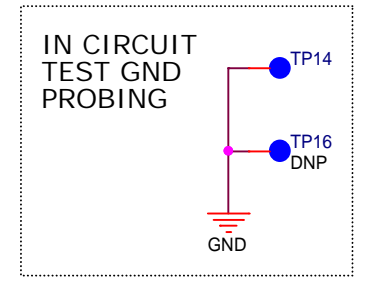
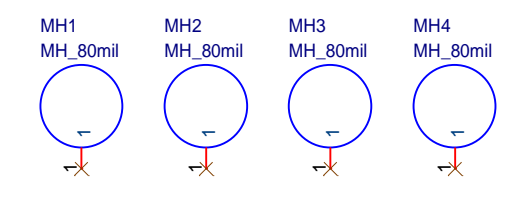
USB-KW40Z

		Wireless Connectivity Operation 6501 William Cannon Drive West Austin, TX 78735-8598	
<small>This document contains information proprietary to Freescale Semiconductor and shall not be used for engineering design, procurement or manufacture in whole or in part without the express written permission of Freescale Semiconductor.</small>			
Designer: A. QUIROZ		Drawing Title: USB-KW40Z	
Drawn by: AVID		Page Title: TITLE PAGE	
Approved: A. QUIROZ		Size C	Document Number SCH-28441 PDF: SPF-28441
Date: Wednesday, August 19, 2015		Sheet 1 of 4	Rev A

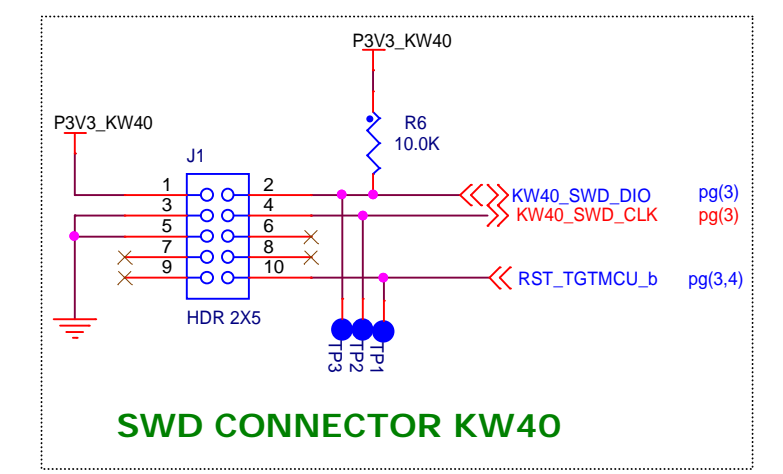
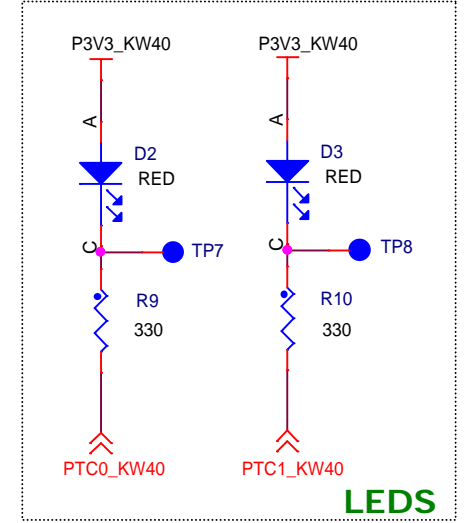
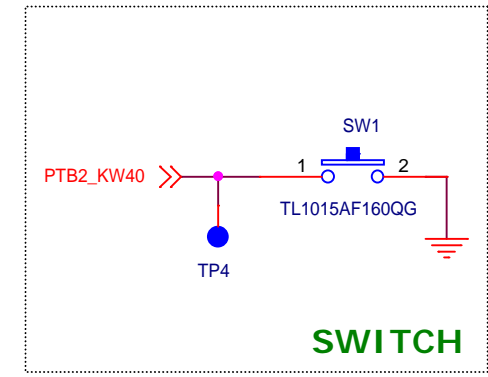
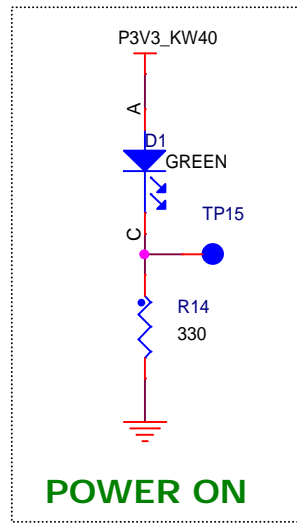
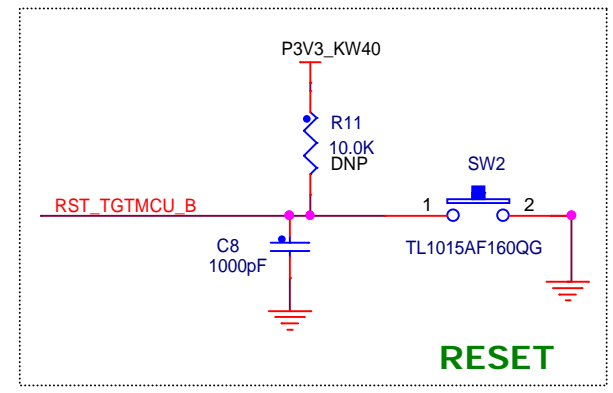
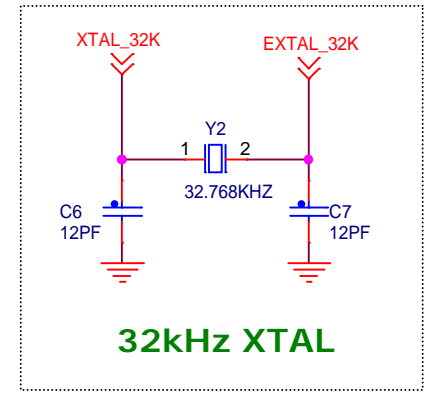
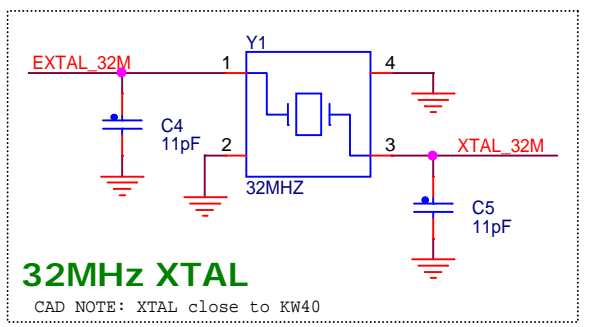
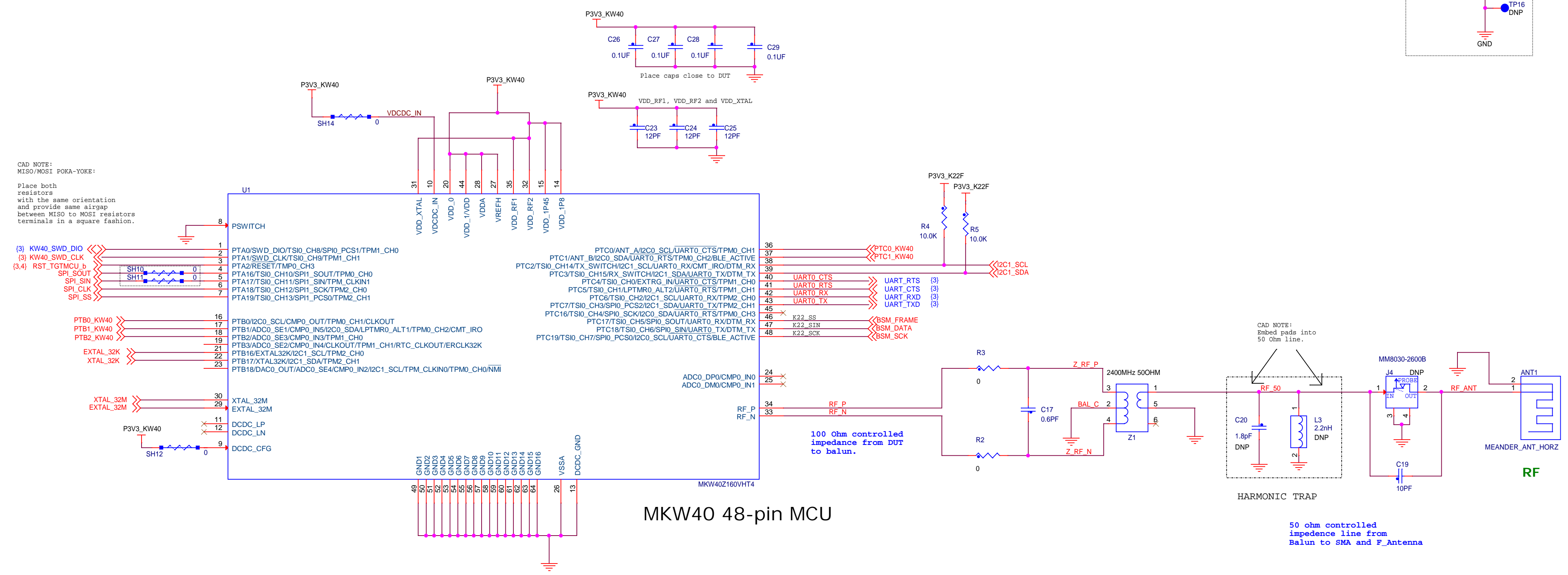
- 1. Unless Otherwise Specified:
 All resistors are in ohms, 5%, 1/8 Watt
 All capacitors are in uF, 20%, 50V
 All voltages are DC
 All polarized capacitors are aluminum electrolytic
- 2. Interrupted lines coded with the same letter or letter combinations are electrically connected.
- 3. Device type number is for reference only. The number varies with the manufacturer.
- 4. Special signal usage:
 _B Denotes - Active-Low Signal
 <> or [] Denotes - Vectored Signals
- 5. Interpret diagram in accordance with American National Standards Institute specifications, current revision, with the exception of logic block symbology.

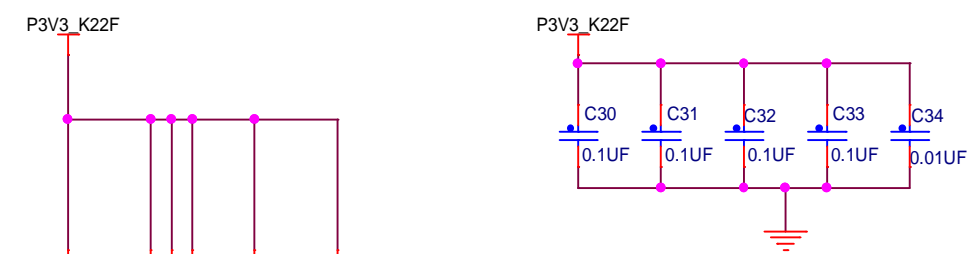
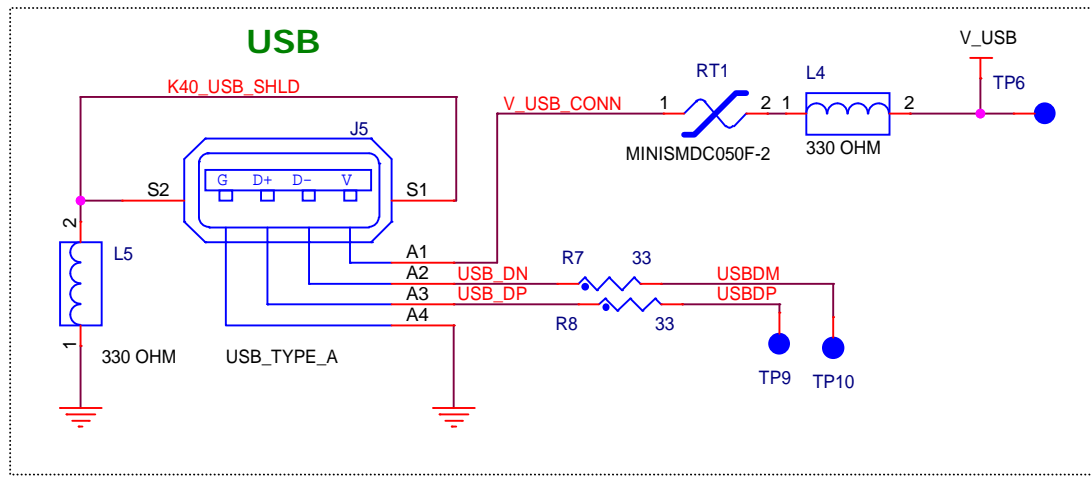
NOTE A
 C20: use only Murata GRM1555C1H1R8CA01D
 L3: use only Murata LQP15MN2N2B02

			
ICAP Classification:		FCP:	FIUO: X PUBL:
Drawing Title: USB-KW40Z			
Page Title: NOTES			
Size C	Document Number SCH-28441 PDF: SPF-28441	Rev A	
Date:	Wednesday, August 19, 2015	Sheet	2 of 4

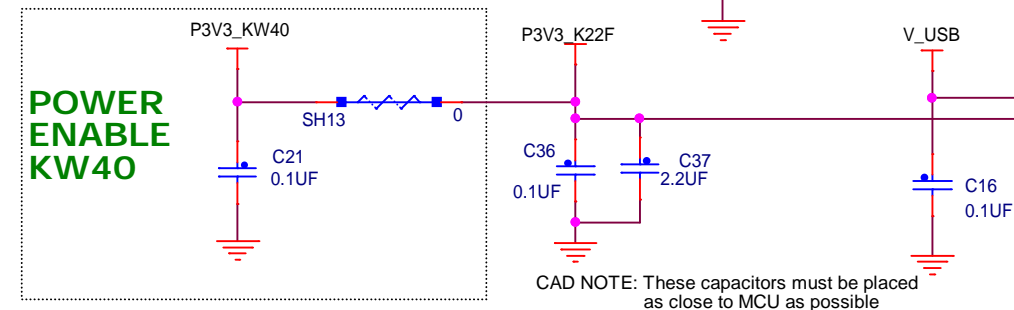
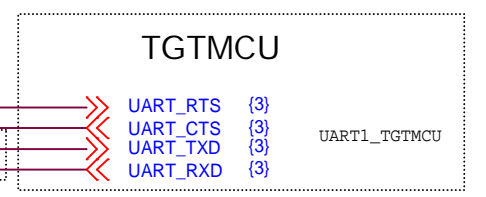
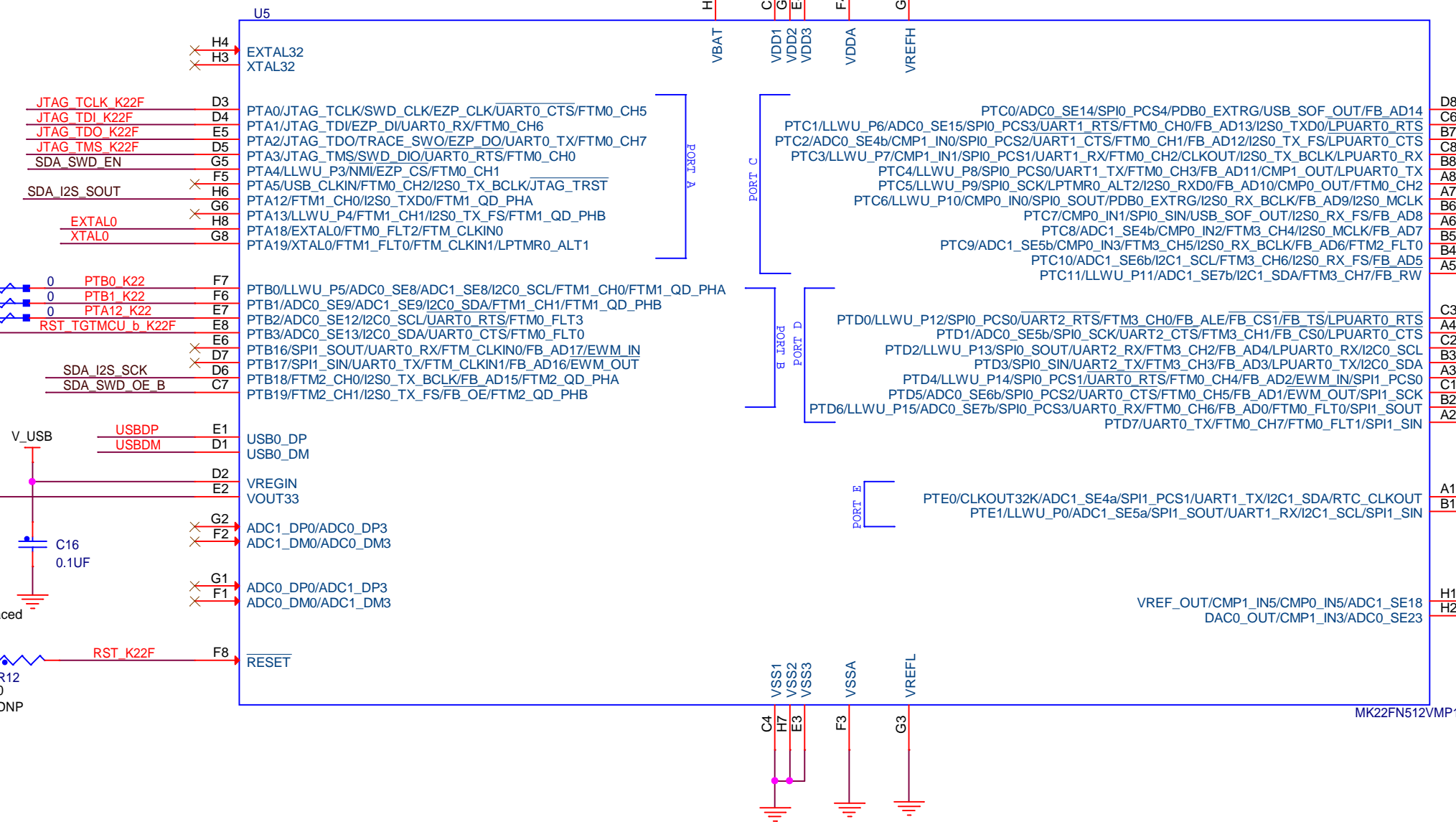


CAD NOTE:
MISO/MOSI POKA-YOKE:
Place both resistors with the same orientation and provide same airgap between MISO to MOSI resistors terminals in a square fashion.

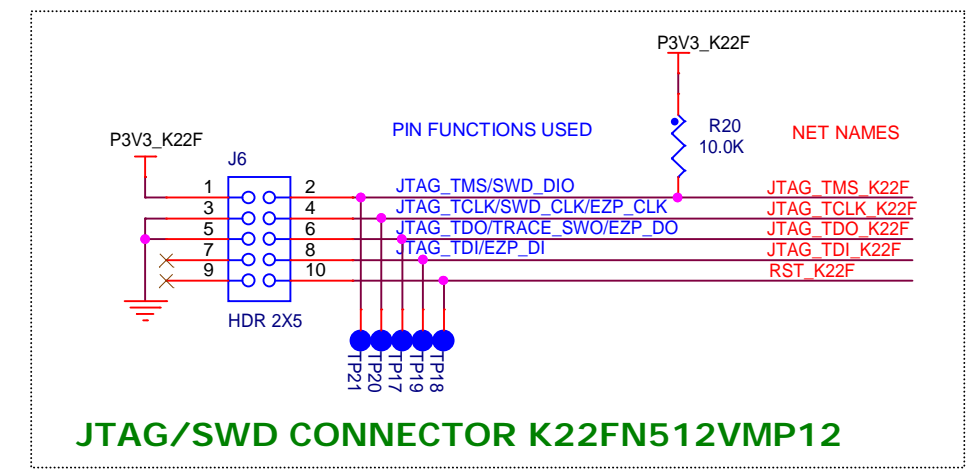
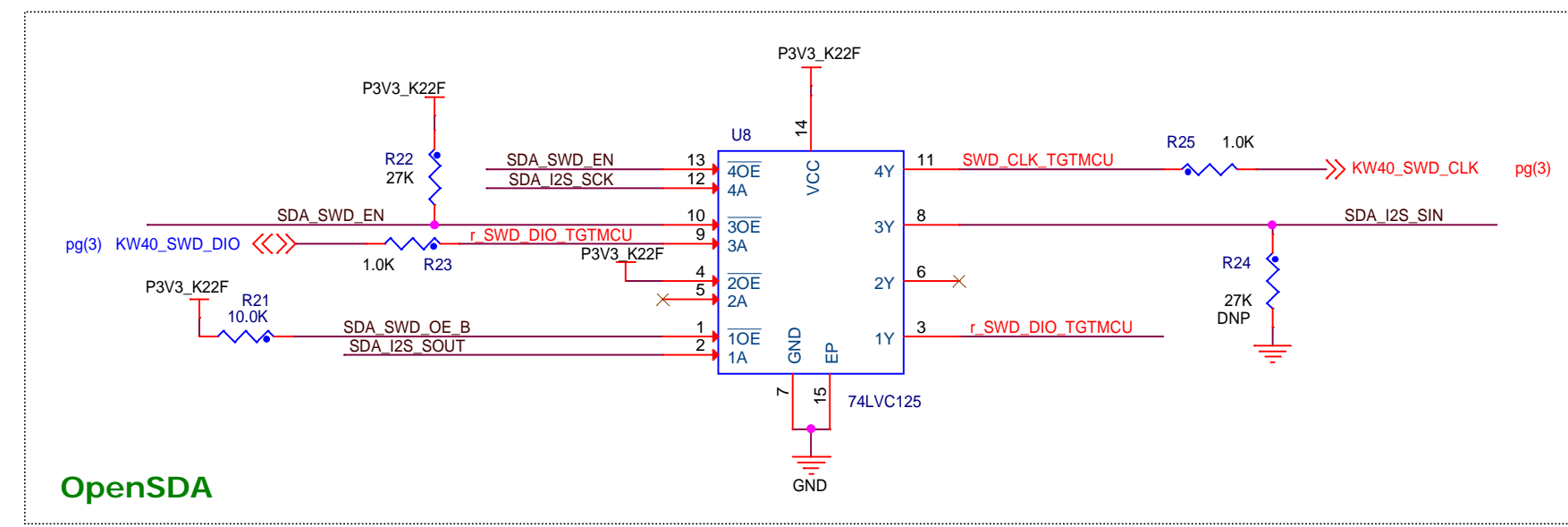
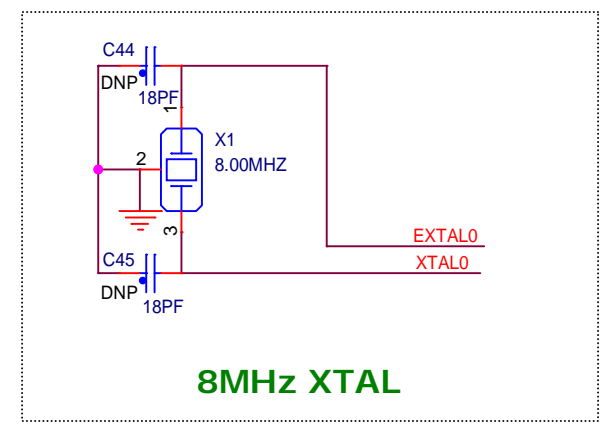
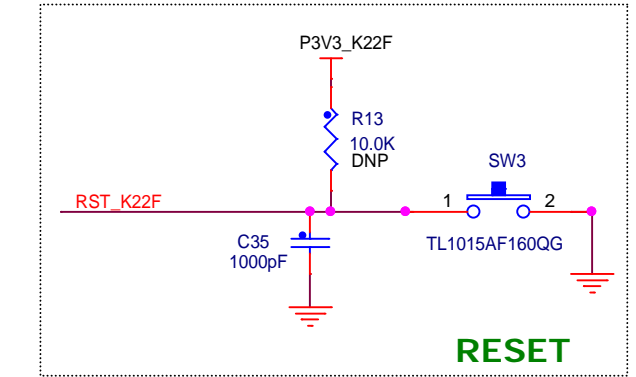
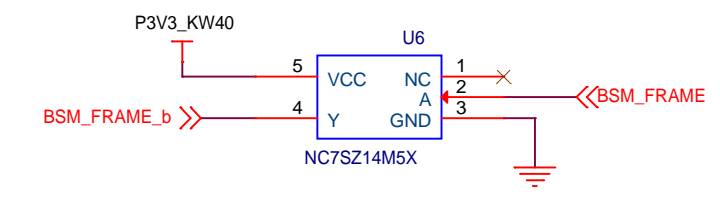




CAD NOTE:
TX/RX POKA-YOKE:
Place both resistors with the same orientation and provide same airgap between TX to RX resistors terminals in a square fashion.



CAD NOTE: These capacitors must be placed as close to MCU as possible



freescale
semiconductor

ICAP Classification: FCP: ___ FIUO: X PUBI: ___
Drawing Title: **USB-KW40Z**
Page Title: **USB INTERFACE**

Size C	Document Number SCH-28441 PDF: SPF-28441	Rev A
Date: Wednesday, August 19, 2015	Sheet 4 of 4	