


Table of Contents

2	Notes/ Block Diagram
3	Main MCU

Revisions

Rev	Description	Date	Approved
X1	Initial Design Release	25-Jun-15	Antonio Quiroz
X2	Single RF component	25-Sep-15	Antonio Quiroz
A	ADC RESISTORS VALUES	18-Apr-16	Antonio Quiroz

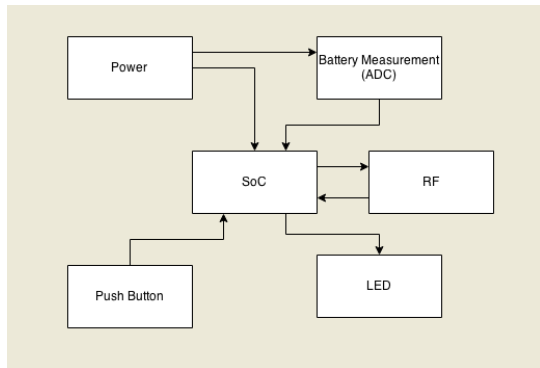
X-KW30Z-BCN-RD

		Microcontroller Product Group 6501 William Cannon Drive West Austin, TX 78735-8598	
<small>This document contains information proprietary to Freescale and shall not be used for engineering design, procurement or manufacture in whole or in part without the express written permission of Freescale.</small>			
ICAP Classification: FCP: FIUQ: X PUBI:			
Designer: Antonio Quiroz		Drawing Title: X-KW30Z-BCN-RD	
Drawn by: Antonio Quiroz		Page Title: TITLE PAGE	
Approved: Alberto Vargas	Size C	Document Number SCH-29090 PDF: SPF-29090	Rev A
Date: Monday, April 18, 2016		Sheet 1 of 3	

1. Interrupted lines coded with the same letter or letter combinations are electrically connected.

2. Special signal usage:
_B Denotes - Active-Low Signal
<> or [] Denotes - Vectored Signals

3. Interpret diagram in accordance with American National Standards Institute specifications, current revision, with the exception of logic block symbology.



ICAP Classification:		FCP:	FIUC: X PUBL:
Drawing Title:			
X-KW30Z-BCN-RD			
Page Title:			
NOTES/ BLOCK DIAGRAM			
Size	Document Number		Rev
C	SCH-29080 PDF: SPF-29080		A
Date:	Monday, April 18, 2016	Sheet 2 of 3	

