


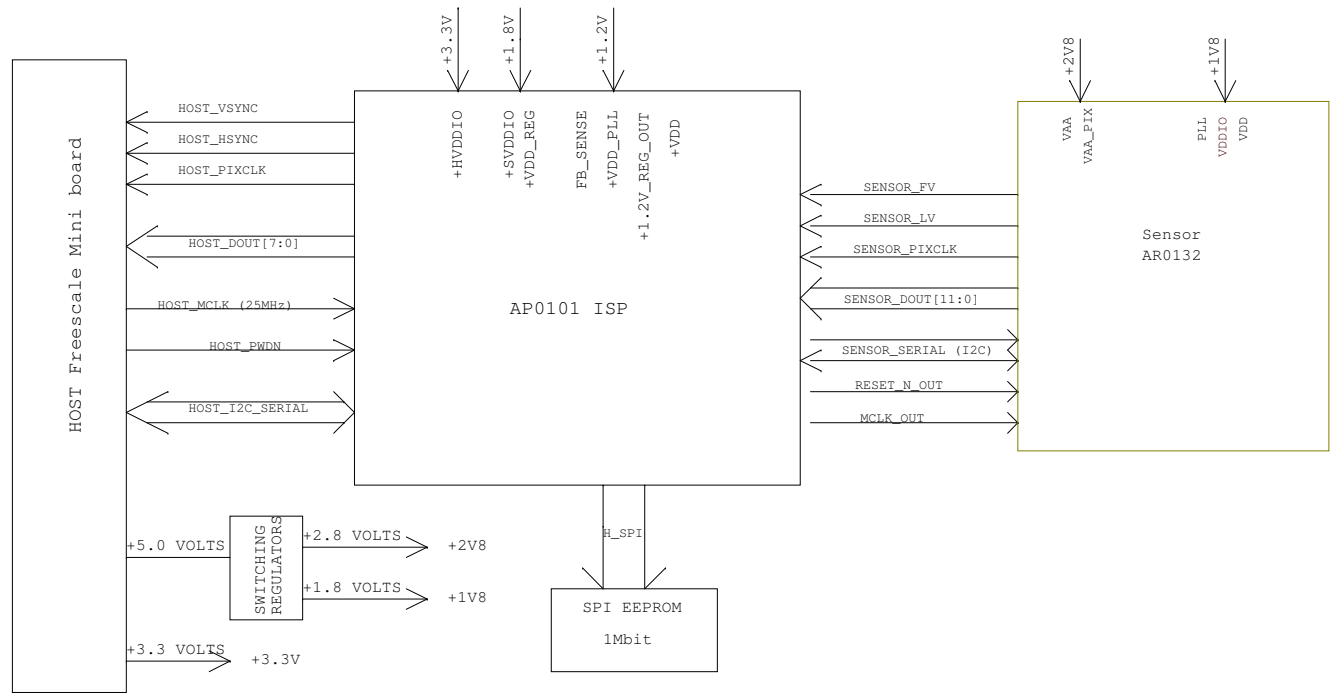
Revisions & Change Log			
Rev	Description	Date	Approved
X1	Initial Draft	04-22-2014	Fuller Billy
X2	1. L1 & L2 Inductor Part & C37,C39-Capacitor parts are updated.	04-23-2014	Fuller Billy
X3	1. Few Unused Pins at Mini connector GNDed 2. One NC pin changed to 3.3V at Mini conn 3. Two Decaps added at 3.3V rail	04-24-2014	Fuller Billy
X4	1. U1 ,U2 ,U3 ,P1 and some other Passive parts are updated.	04-25-2014	Fuller Billy
X5	1. Series termination added for Host Data lines	04-28-2014	Fuller Billy
X6	1. Trigger and Frame sync connection added 2. Sensor and Lens mounte sub assembly updated	04-30-2014	Fuller Billy
A	A085 release	05-01-2014	(Fuller Billy) Marilyn Hubbard
A1	R21 to R31 value replaced with 240 ohms Ferrite bead	07-07-2014	Fuller Billy

# X-MINI-CAM-BRD

		<b>Automotive, Industrial &amp; Multi-Market Solutions Group</b> 6501 William Cannon Drive West Austin, TX 78735-6598	
ICAP Classification: FQP: FLQ: PUB: X			
Designer: Franklin John Paul	Drawing Title: <b>X-MINI-CAM-BRD</b>		
Drawn by: Franklin John Paul	Page Title: <b>TITLE PAGE</b>		
Approved: Fuller Billy	Size C	Document Number SCH-28409 PDF: SPF-28409	Rev A1
Date: Monday, July 07, 2014		Sheet 1 of 3	

All polarized capacitors are aluminum electrolytic

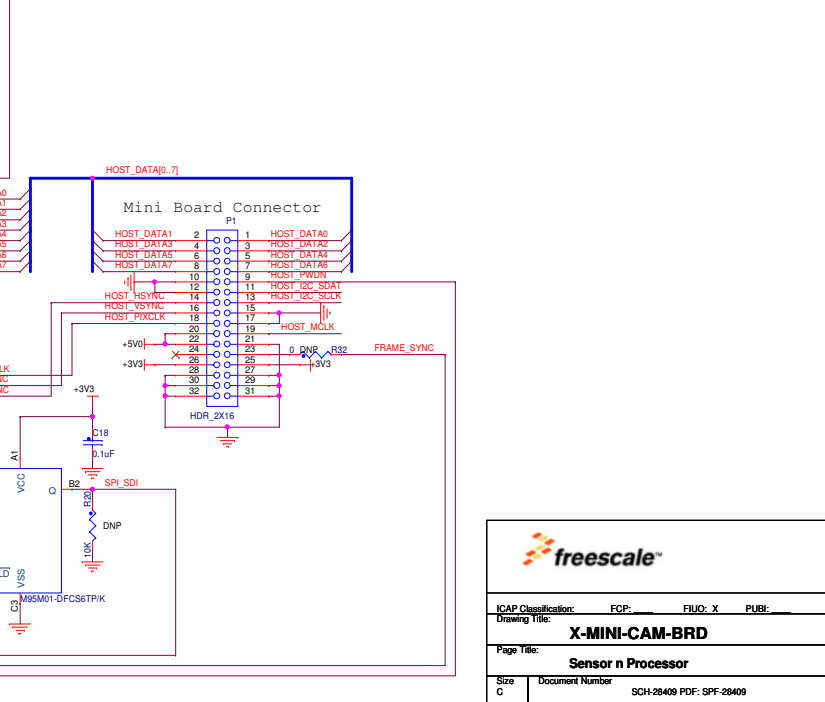
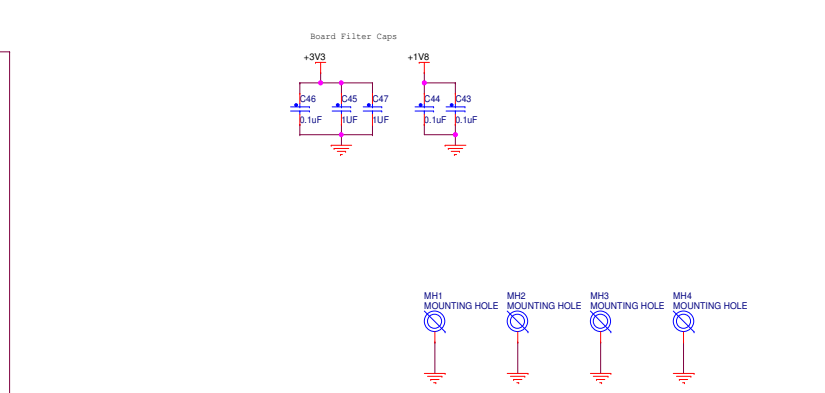
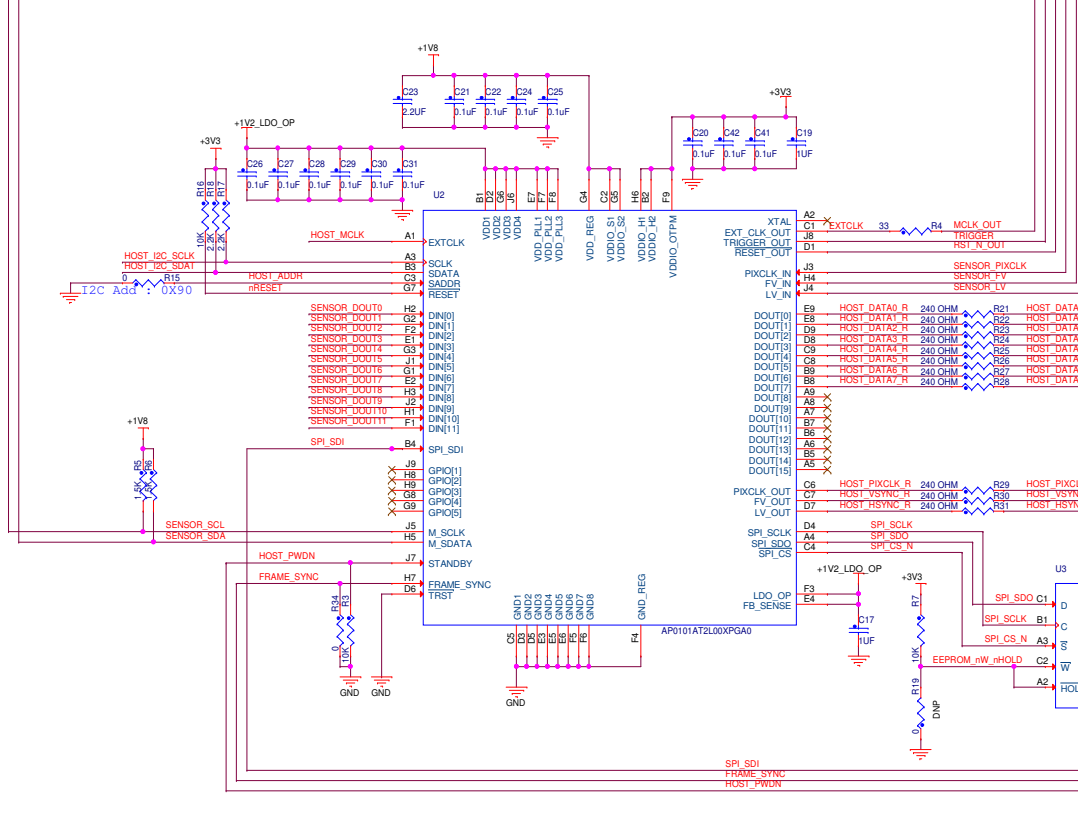
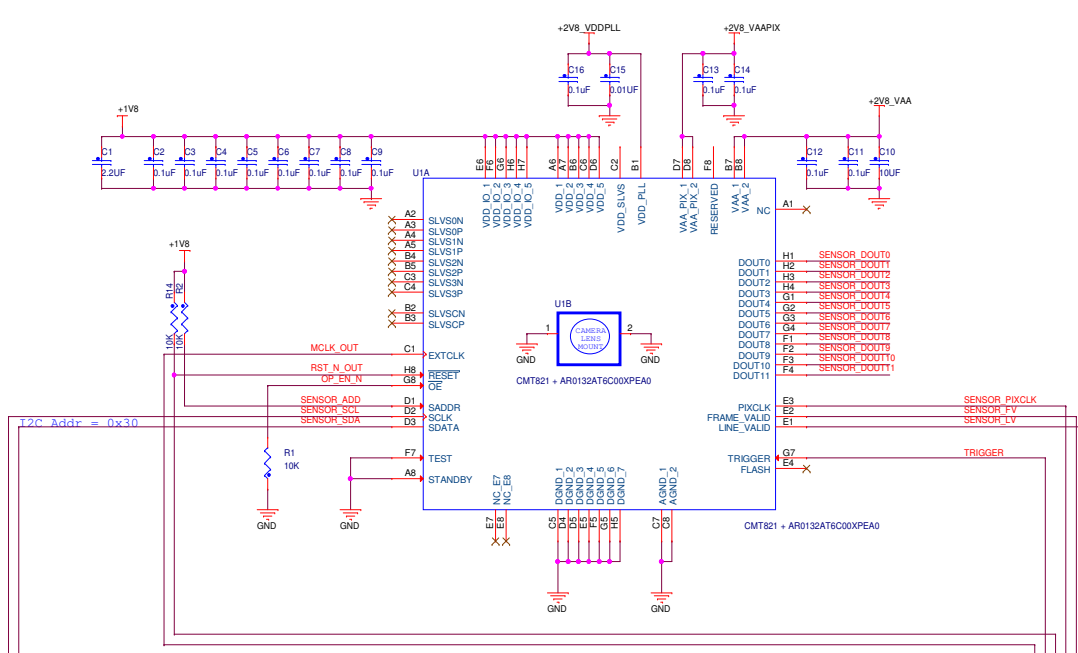
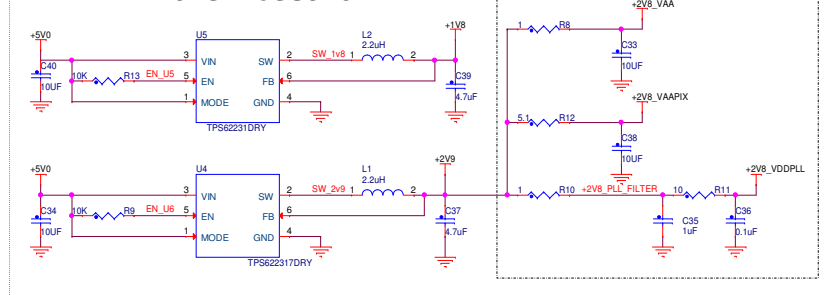
- Interrupted lines coded with the same letter or letter combinations are electrically connected.
- Device type number is for reference only. The number varies with the manufacturer.
- Special signal usage:  
 \_B Denotes - Active-Low Signal  
 <> or [] Denotes - Vectored Signals
- Interpret diagram in accordance with American National Standards Institute specifications, current revision, with the exception of logic block symbology.





# Power Section

Place close to the sensor pins



**freescale**

ICAP Classification: FCP: FIUC: X PUB:   
 Drawing Title: **X-MINI-CAM-BRD**   
 Page Title: **Sensor n Processor**   
 Size C Document Number SCH-28409 PDF: SPF-28409 Rev A1   
 Date: Monday, July 07, 2014 Sheet 3 of 3