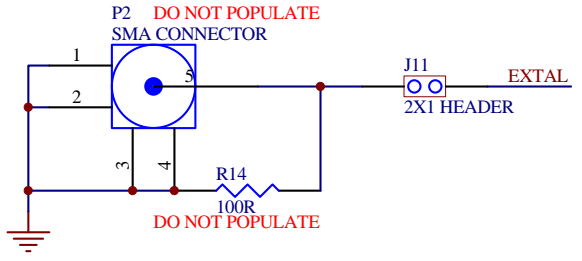
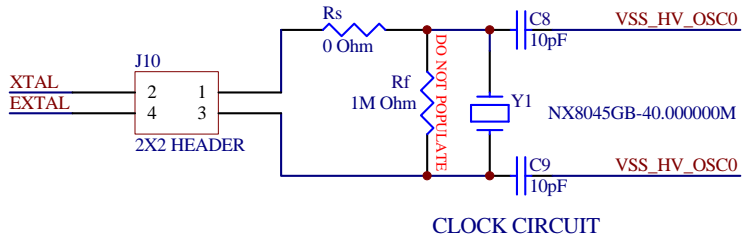
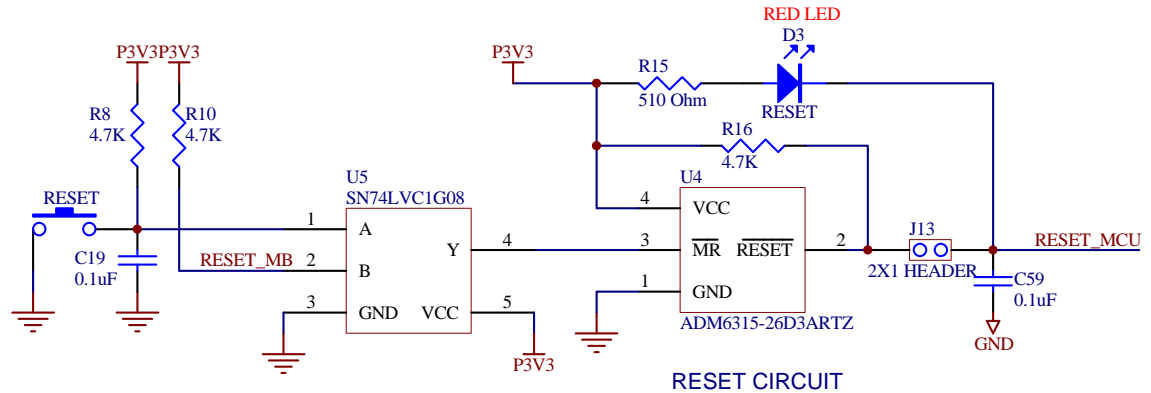


P&E Microcomputer Systems, Inc. 98 Galen Street Floor 2 Watertown MA 02472 USA			
xPC56XLADPT257BS Schematic - MCU			
Size B	FCSM No.	DWG No.	Rev B
Scale	Sheet 1 of 5		



P&E Microcomputer Systems, Inc.
 98 Galen Street Floor 2
 Watertown
 MA 02472
 USA

xPC56XLADPT257BS Schematic - Reset and Clock

Size A	FCSM No.	DWG No.	Rev B
Scale	Sheet 3 of 5		



1

2

3

4

D

D

C

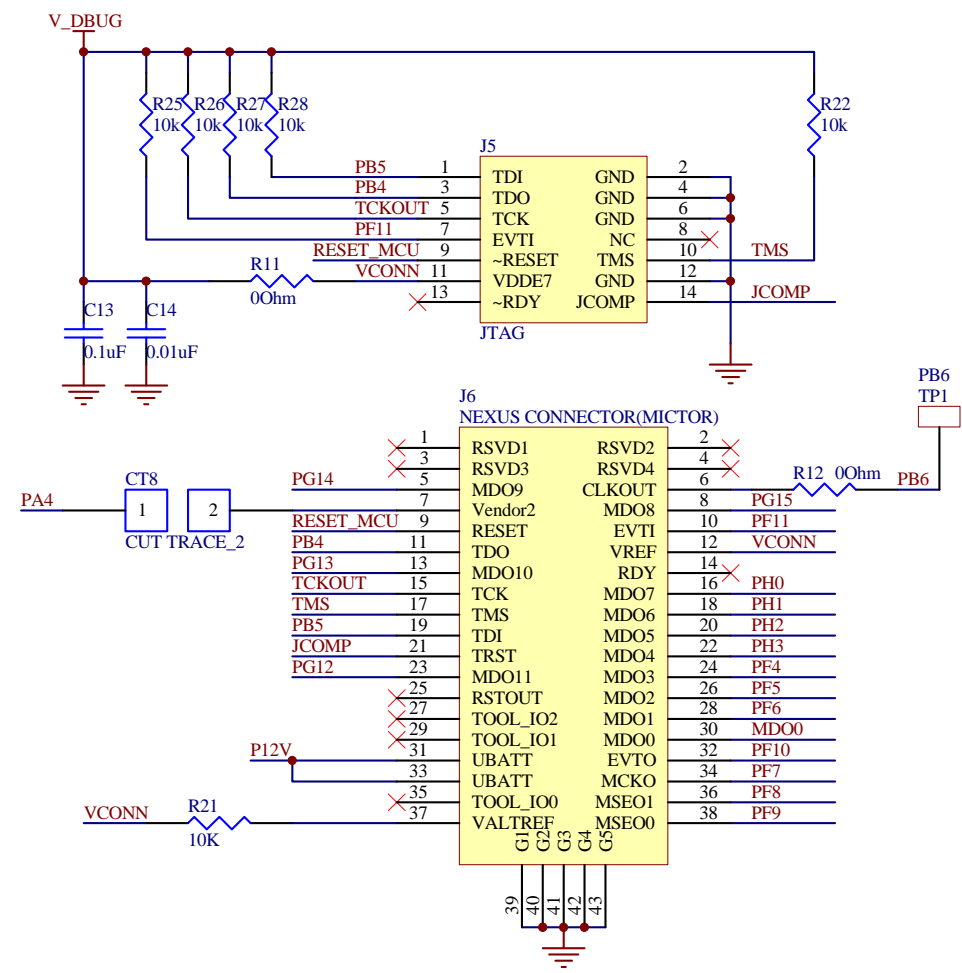
C

B

B

A

A



P&E Microcomputer Systems, Inc.
 98 Galen Street Floor 2
 Watertown
 MA 02472
 USA

xPC56XLADPT257BS Schematic - Debug

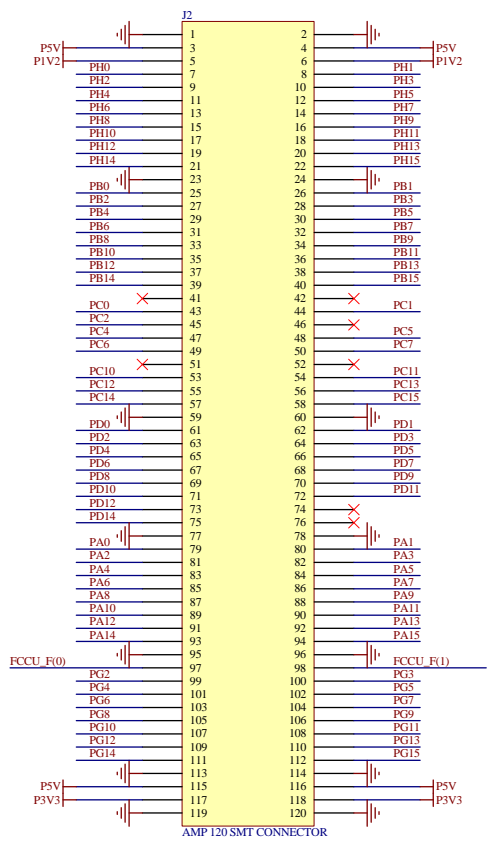
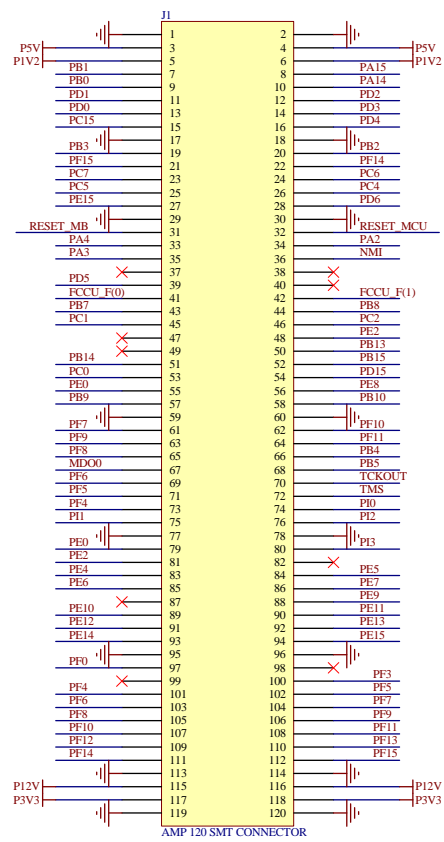
Size A	FCSM No.	DWG No.	Rev B
Scale	Sheet 4 of 5		

1

2

3

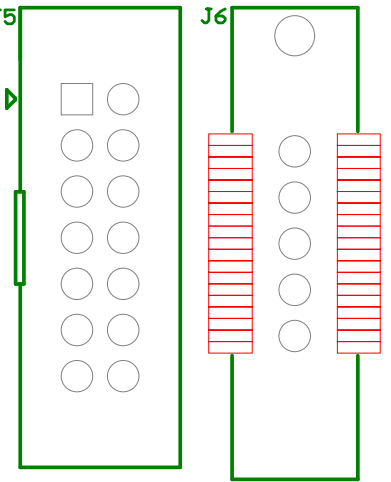
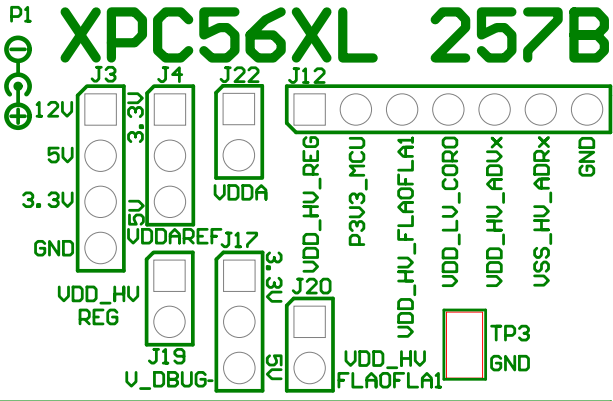
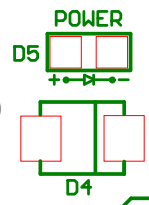
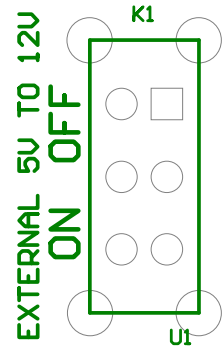
4



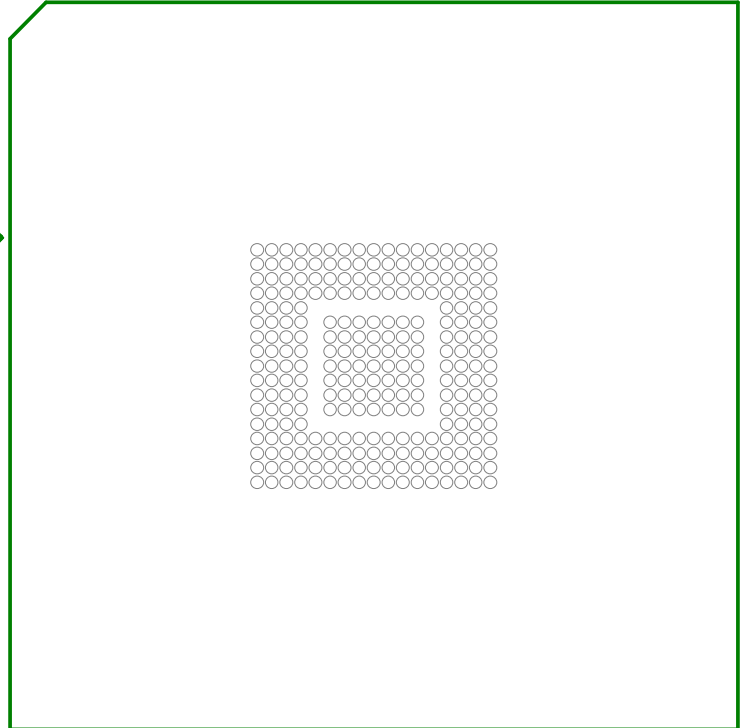
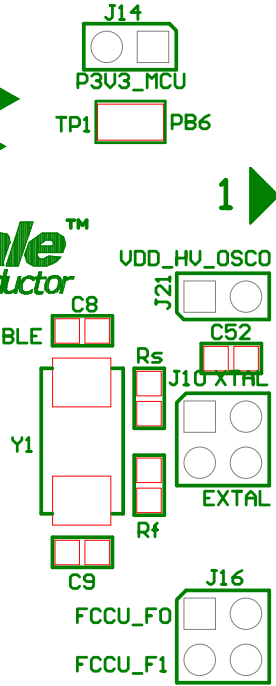
P&E Microcomputer Systems, Inc. 98 Galen Street Floor 2 Watertown MA 02472 USA			
xPCS6XLADPT257BS Schematic - Minimodule Connectors			
Size B	FCSM No.	DWG No.	Rev B
Scale			Sheet 5 of 5

XPC56XL 257BGA MINI-MODULE

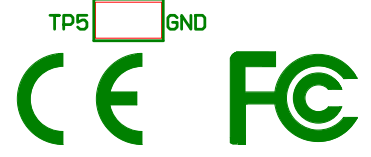
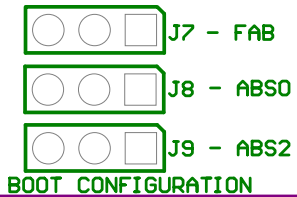
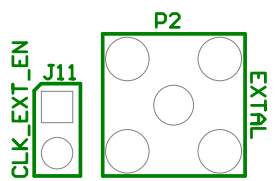
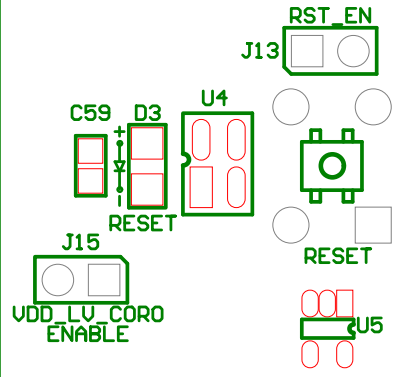
REV. B
TP4 GND

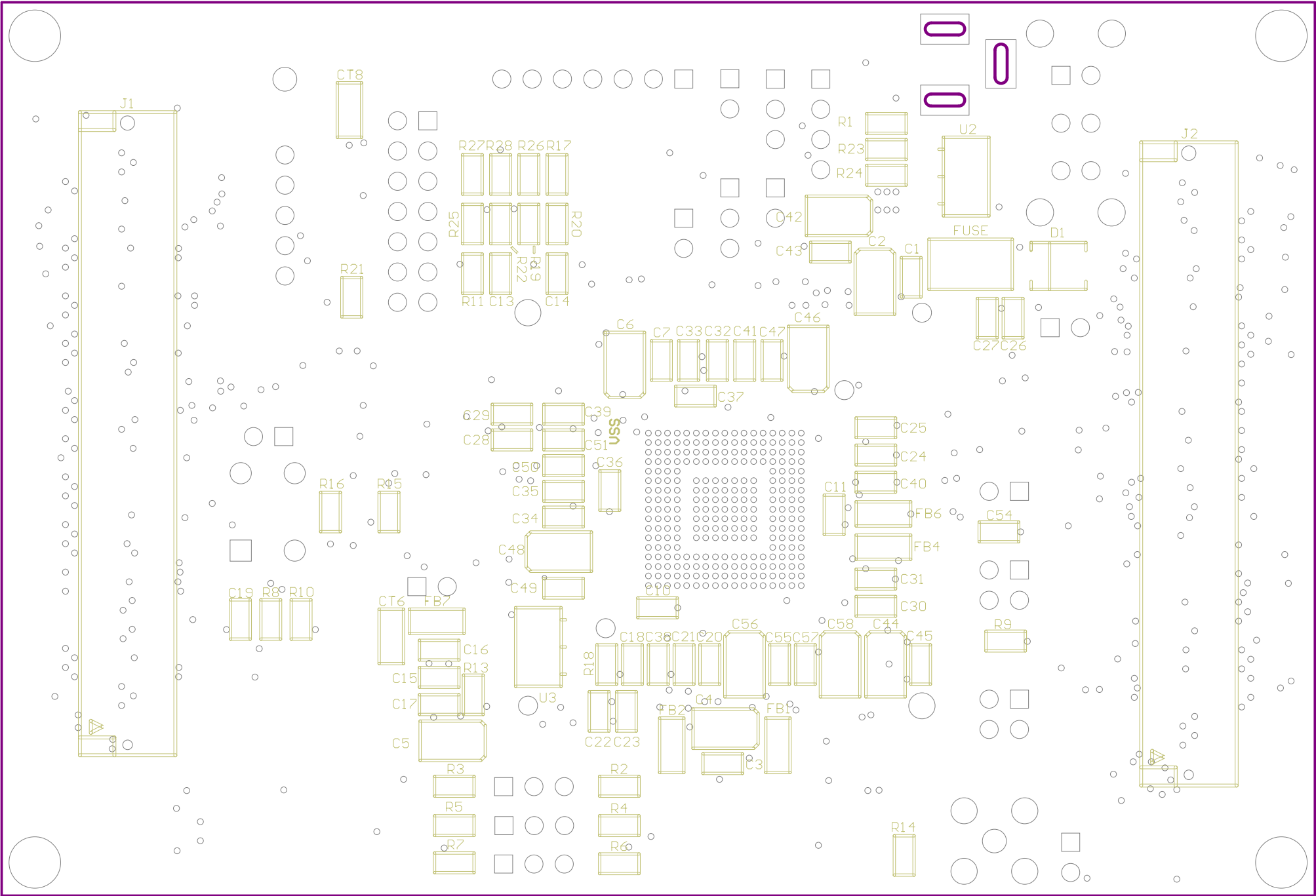


MPC56xL COMPATIBLE



SPC56EL COMPATIBLE

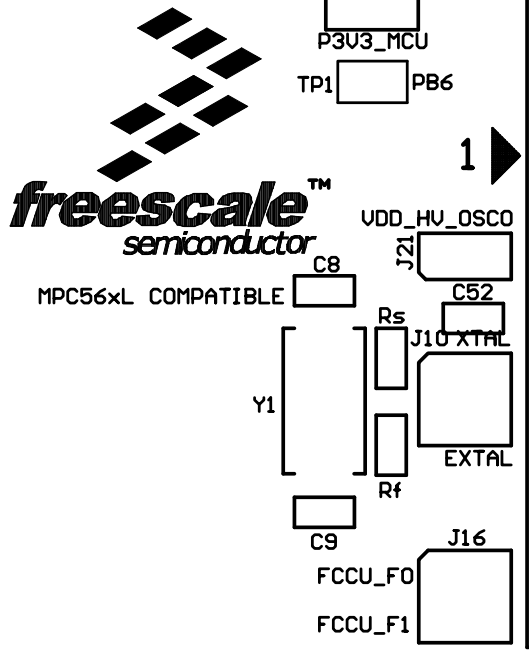
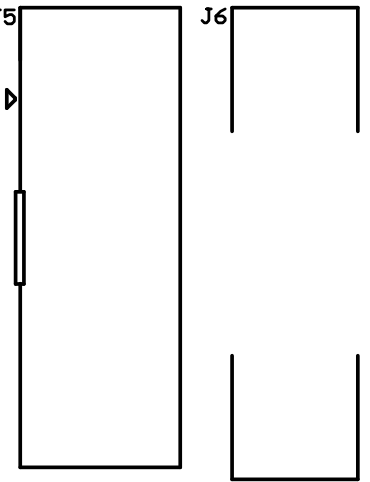
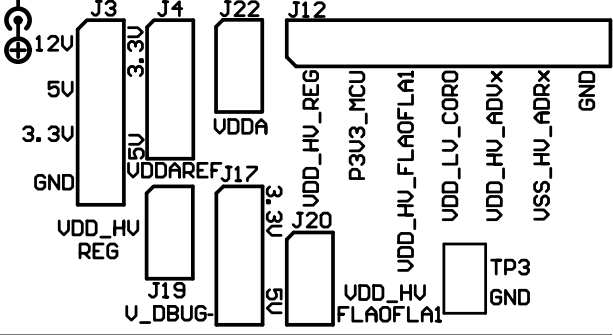
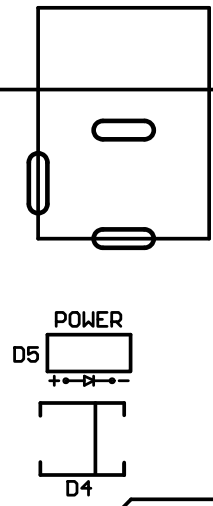
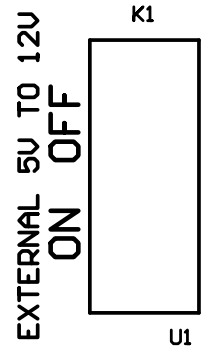






XPC56XL 257BGA MINI-MODULE

REV. B
TP4 GND



SPC56EL COMPATIBLE

