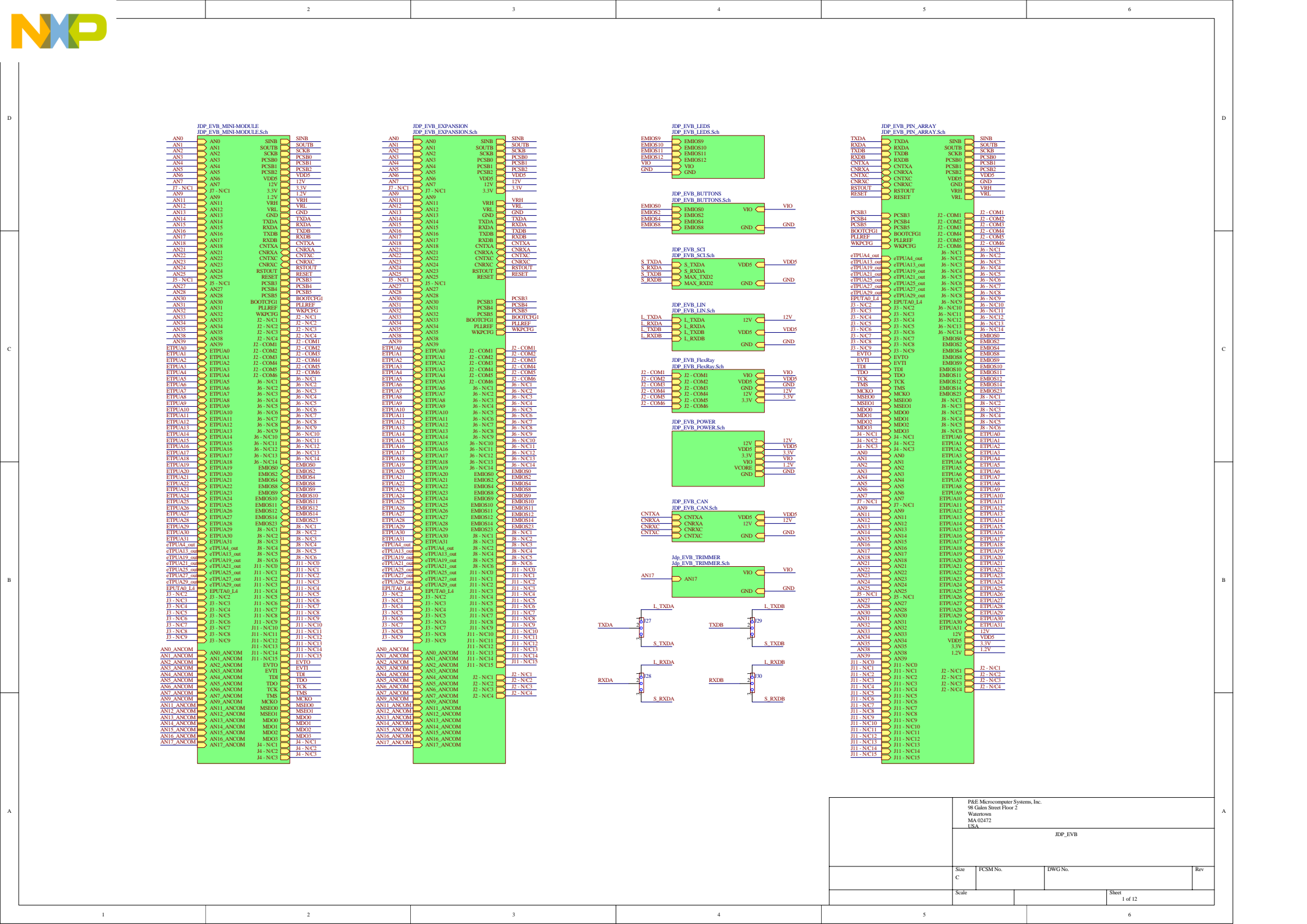




PAGE	NAME	SHEET
2	JDP_EVB	Sheet 1 of 12
3	JDP_EVB_LEDS	Sheet 2 of 12
4	JDP_EVB_BUTTONS	Sheet 3 of 12
5	JDP_EVB_POWER	Sheet 4 of 12
6	JDP_EVB_SCI	Sheet 5 of 12
7	JDP_EVB_LIN	Sheet 6 of 12
8	JDP_EVB_FlexRay	Sheet 7 of 12
9	JDP_EVB_EXPANSION	Sheet 8 of 12
10	JDP_EVB_MINI-MODULE	Sheet 9 of 12
11	JDP_EVB_CAN	Sheet 10 of 12
12	JDP_EVB_PIN_ARRAY	Sheet 11 of 12
13	JDP_EVB_TRIMMER	Sheet 12 of 12
14	JDP_EVB_TOP	
15	JDP_EVB_BOTTOM	

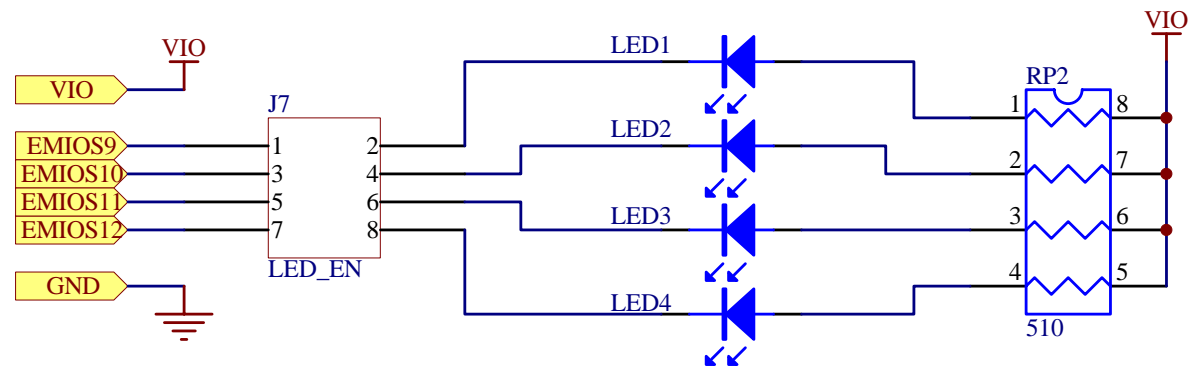


1

2

3

4



4 GREEN LEDS

P&E Microcomputer Systems, Inc.
 98 GaWatertownlen Street Floor 2
 Watertown
 MA 02472
 USA

JDP_EVB_LEDS

Size
A4

FCSM No.

DWG No.

Rev
A

Scale

Sheet
2 of 12

1

2

3

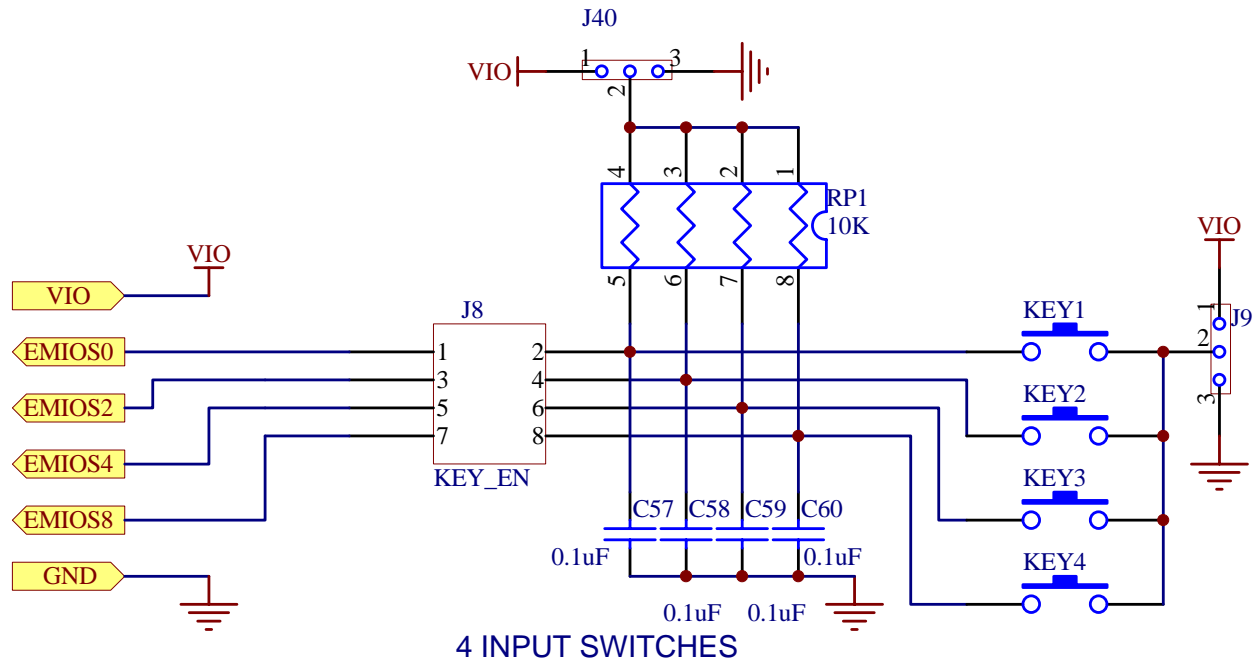
4

1

2

3

4



P&E Microcomputer Systems, Inc.
 98 Galen Street Floor 2
 Watertown
 MA 02472
 USA

JDP_EVB_BUTTONS

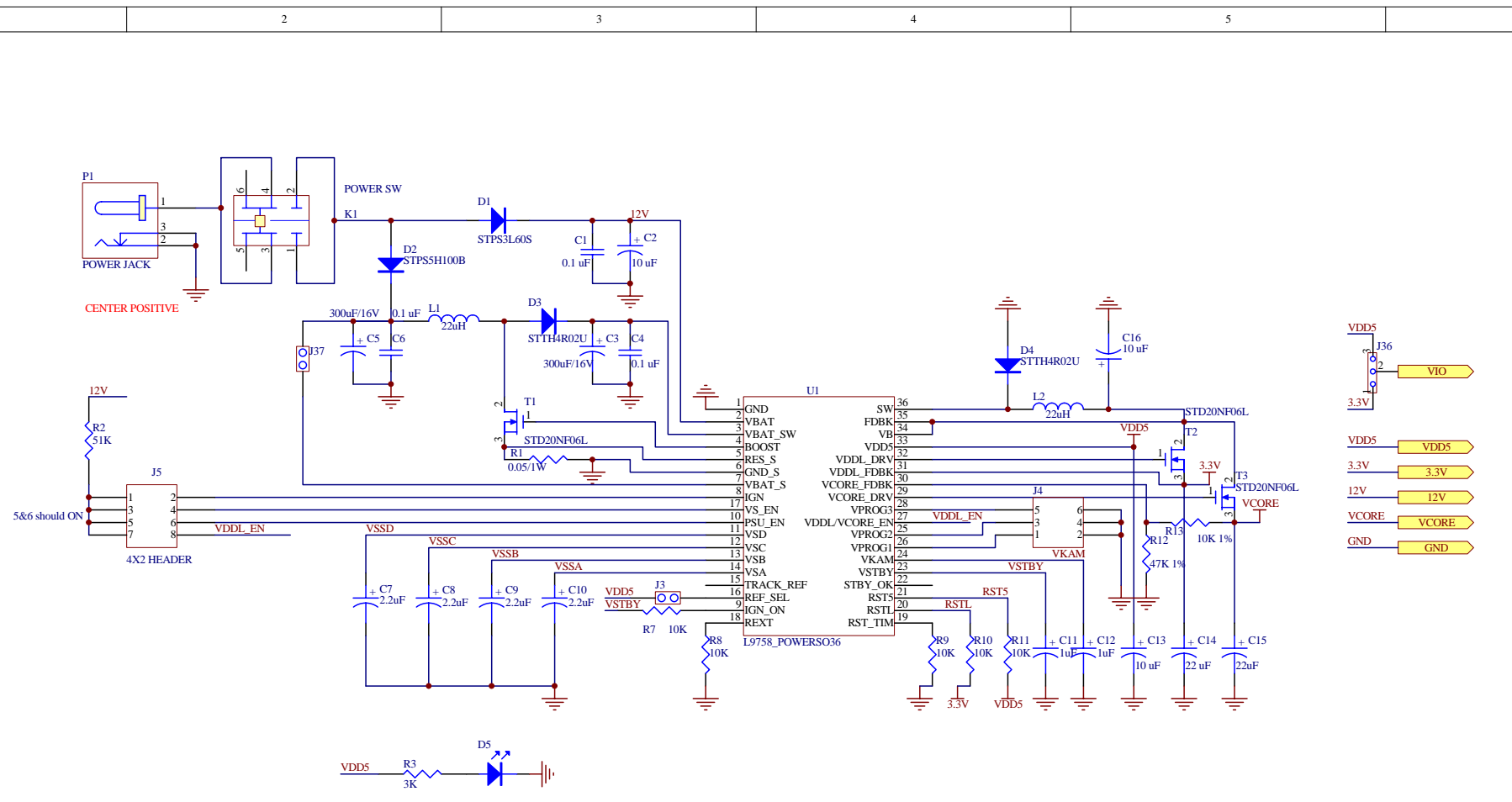
Size B	FCSM No.	DWG No.	Rev A
Scale	Sheet 3 of 12		

1

2

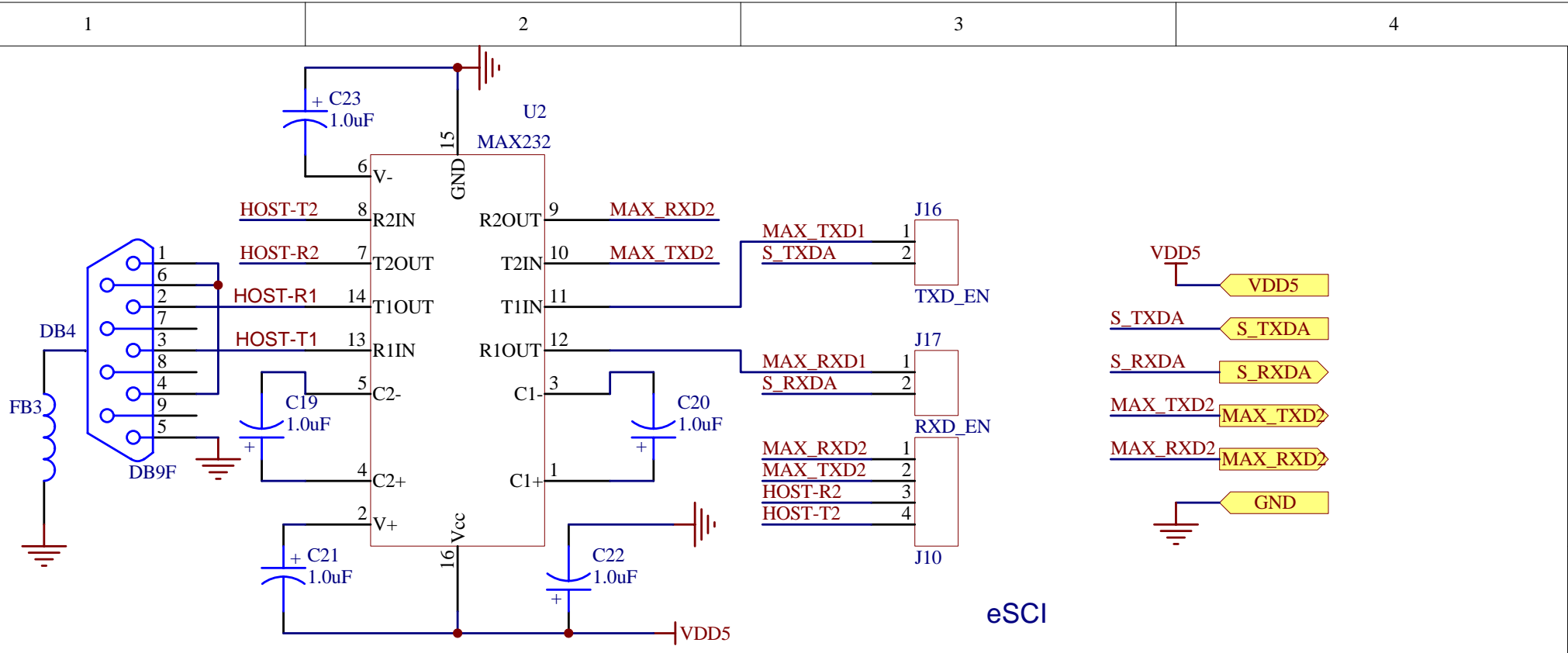
3

4



System Power

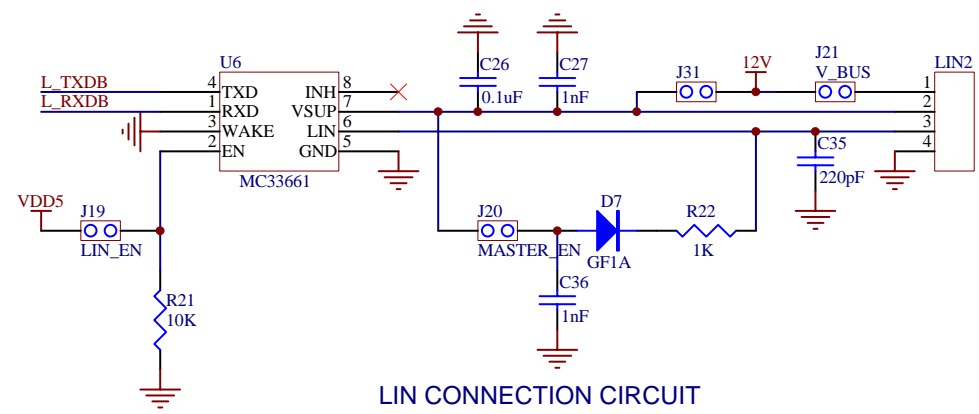
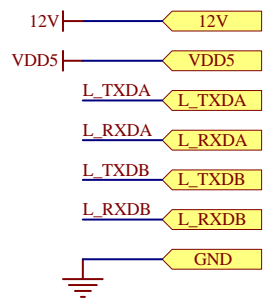
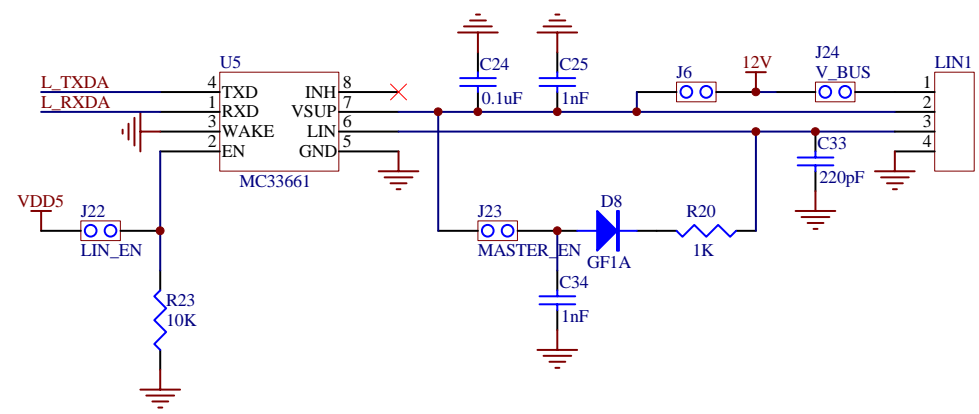
		P&E Microcomputer Systems, Inc. 98 Galen Street Floor 2 Watertown MA 02472 USA	
		JDP_EVB_POWER	
Size B	FCSM No.	DWG No.	Rev A
Scale		Sheet 4 of 12	



P&E Microcomputer Systems, Inc.
 98 Galen Street Floor 2
 Watertown
 MA 02472
 USA

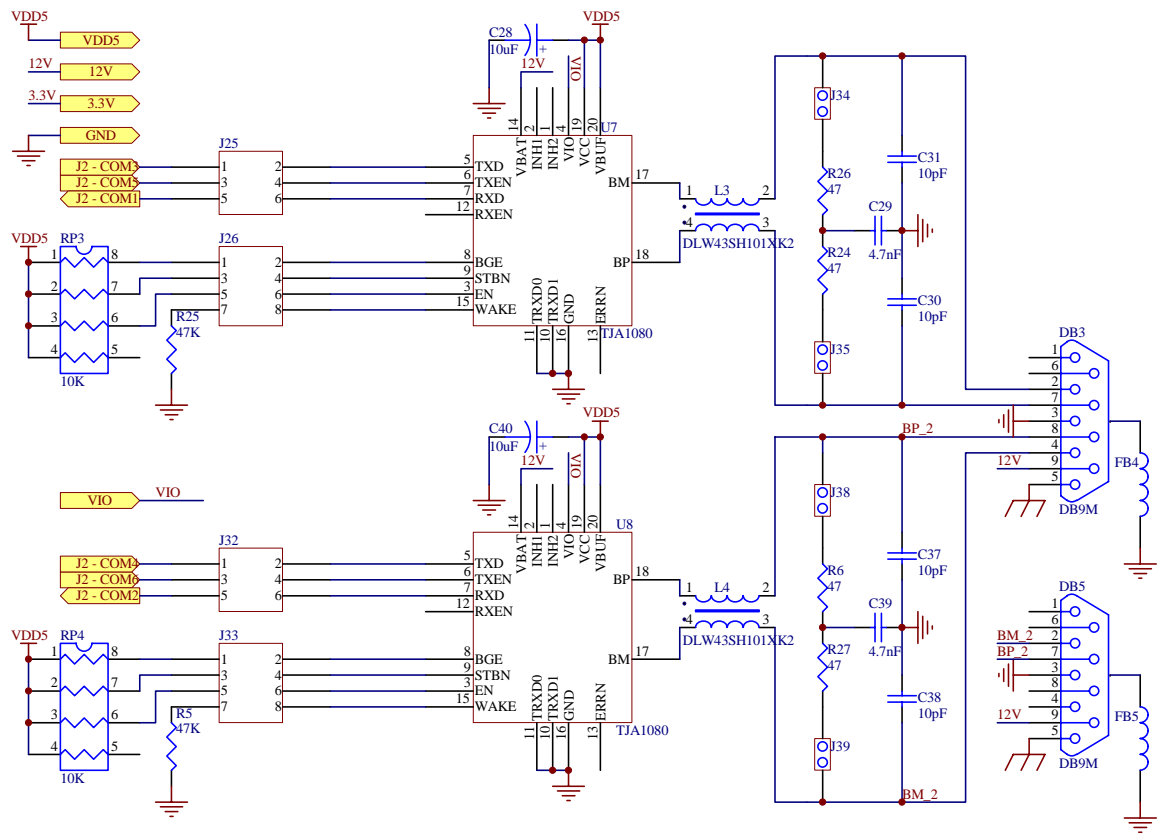
JDP_EVB_SCI

Size B	FCSM No.	DWG No.	Rev A
Scale	Sheet 5 of 12		



LIN CONNECTION CIRCUIT

		P&E Microcomputer Systems, Inc. 98 Galen Street Floor 2 Watertown MA 02472 USA	
		JDP_EVB_LIN	
Size B	FCSM No.	DWG No.	Rev A
Scale			Sheet 6 of 12



P&E Microcomputer Systems, Inc. 98 Galen Street Floor 2 Watertown MA 02472 USA			
JDP_EVB_FlexRay			
Size B	FCSM No.	DWG No.	Rev A
Scale	Sheet 7 of 12		



1 2 3 4 5 6

GND	A1	GND	B1	GND	C1	VDD5	D1
CNRXA	A2	CNRXC	B2	CNTXA	C2	CNTXC	D2
RXDA	A3	TXDA	B3	RXDB	C3	TXDB	D3
J2 - COM1	A4	J2 - COM2	B4	J2 - COM3	C4	PCSB2	D4
J2 - COM4	A5	J2 - COM5	B5	J2 - COM6	C5	PCSB1	D5
SINB	A6	SOUTB	B6	SCKB	C6	PCSB0	D6
PCSB3	A7	PCSB4	B7	PCSB5	C7	J2 - N/C2	D7
J2 - N/C3	A8	J2 - N/C4	B8	GND	C8	I2V	D8
RESET	A9	RSTOUT	B9	VRH	C9	VRL	D9
BOOTCFG1	A10	PLLREF	B10	J11 - N/C12	C10	J11 - N/C13	D10
WKPCFG	A11	J2 - N/C1	B11	J11 - N/C14	C11	J11 - N/C15	D11
eTPUA4_out	A12	eTPUA13_out	B12	J3 - N/C2	C12	J3 - N/C3	D12
eTPUA19_out	A13	eTPUA21_out	B13	J3 - N/C4	C13	J3 - N/C5	D13
eTPUA25_out	A14	eTPUA27_out	B14	J3 - N/C6	C14	J3 - N/C7	D14
eTPUA29_out	A15	EPUTA0_L4	B15	J3 - N/C8	C15	J3 - N/C9	D15
ETPUA0	A16	ETPUA1	B16	ETPUA16	C16	ETPUA17	D16
ETPUA2	A17	ETPUA3	B17	ETPUA18	C17	ETPUA19	D17
ETPUA4	A18	ETPUA5	B18	ETPUA20	C18	ETPUA21	D18
ETPUA6	A19	ETPUA7	B19	ETPUA22	C19	ETPUA23	D19
ETPUA8	A20	ETPUA9	B20	ETPUA24	C20	ETPUA25	D20
ETPUA10	A21	ETPUA11	B21	ETPUA26	C21	ETPUA27	D21
ETPUA12	A22	ETPUA13	B22	ETPUA28	C22	ETPUA29	D22
ETPUA14	A23	ETPUA15	B23	ETPUA30	C23	ETPUA31	D23
AN0_ANCOM	A24	AN1_ANCOM	B24	EMIOS0	C24	EMIOS2	D24
AN2_ANCOM	A25	AN3_ANCOM	B25	EMIOS4	C25	EMIOS8	D25
AN4_ANCOM	A26	AN5_ANCOM	B26	EMIOS9	C26	EMIOS10	D26
AN6_ANCOM	A27	AN7_ANCOM	B27	EMIOS11	C27	EMIOS12	D27
AN9_ANCOM	A28	AN11_ANCOM	B28	EMIOS14	C28	EMIOS23	D28
AN12_ANCOM	A29	AN13_ANCOM	B29	J8 - N/C1	C29	J8 - N/C2	D29
AN14_ANCOM	A30	AN15_ANCOM	B30	J8 - N/C3	C30	J8 - N/C4	D30
AN16_ANCOM	A31	AN17_ANCOM	B31	J8 - N/C5	C31	J8 - N/C6	D31
GND	A32	3.3V	B32	GND	C32	VDD5	D32

DIN41612_4X32

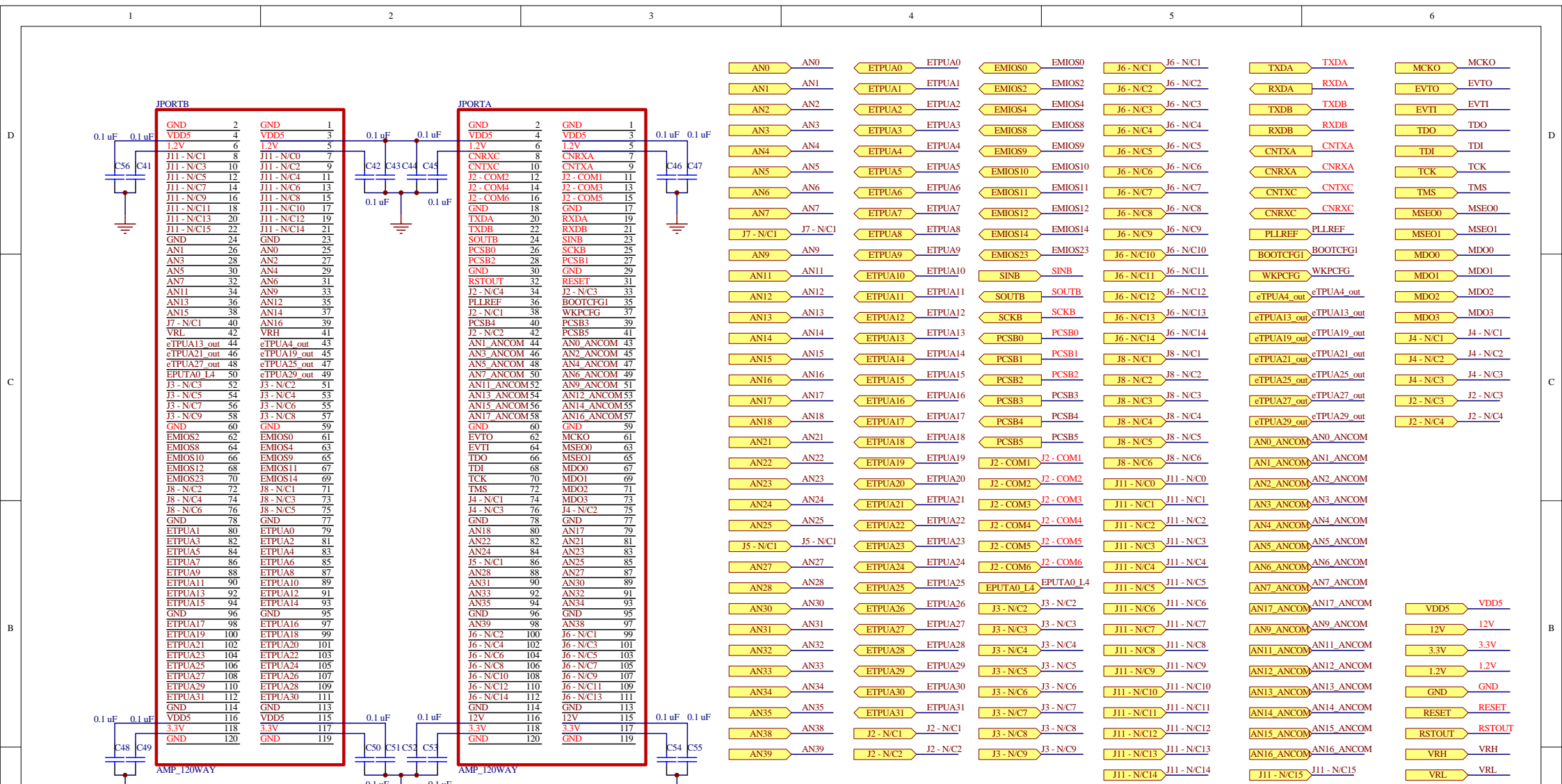
GND	A1	VDD5	B1
AN0	A2	AN1	B2
AN2	A3	AN3	B3
AN4	A4	AN5	B4
AN6	A5	AN7	B5
AN9	A6	AN11	B6
AN12	A7	AN13	B7
AN14	A8	AN15	B8
AN16	A9	J7 - N/C1	B9
AN17	A10	AN18	B10
AN21	A11	AN22	B11
AN23	A12	AN24	B12
AN25	A13	J5 - N/C1	B13
AN27	A14	AN28	B14
AN30	A15	AN31	B15
AN32	A16	AN33	B16
AN34	A17	AN35	B17
AN38	A18	AN39	B18
J6 - N/C1	A19	J6 - N/C2	B19
J6 - N/C3	A20	J6 - N/C4	B20
J6 - N/C5	A21	J6 - N/C6	B21
J6 - N/C7	A22	J6 - N/C8	B22
J6 - N/C9	A23	J6 - N/C10	B23
J6 - N/C11	A24	J6 - N/C12	B24
J6 - N/C13	A25	J6 - N/C14	B25
J11 - N/C0	A26	J11 - N/C1	B26
J11 - N/C2	A27	J11 - N/C3	B27
J11 - N/C4	A28	J11 - N/C5	B28
J11 - N/C6	A29	J11 - N/C7	B29
J11 - N/C8	A30	J11 - N/C9	B30
J11 - N/C10	A31	J11 - N/C11	B31
GND	A32	3.3V	B32

DIN41612_2X32



P&E Microcomputer Systems, Inc. 98 Galen Street Floor 2 Watertown MA 02472 USA			
JDP_EVB_EXPANSION			
Size B	FCSM No.	DWG No.	Rev
Scale	Sheet		8 of 12

D C B A



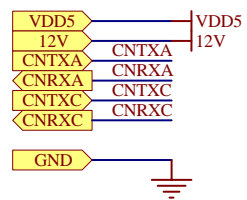
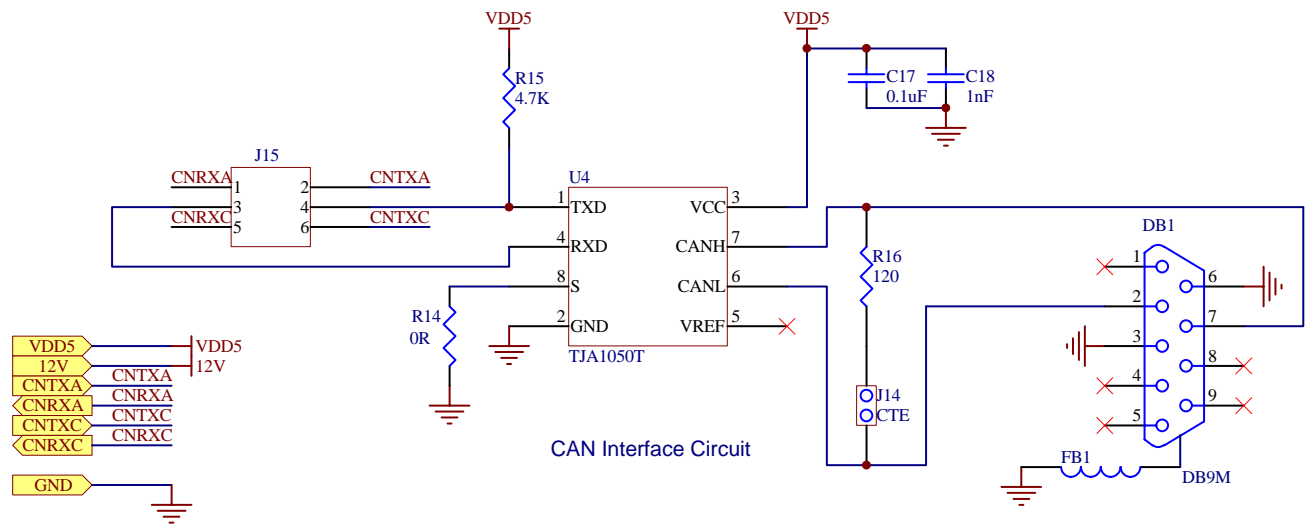
JDP_EVB_MINI_MODULE			
Size B	FCSM No.	DWG No.	Rev
Scale			Sheet 9 of 12



2 3 4

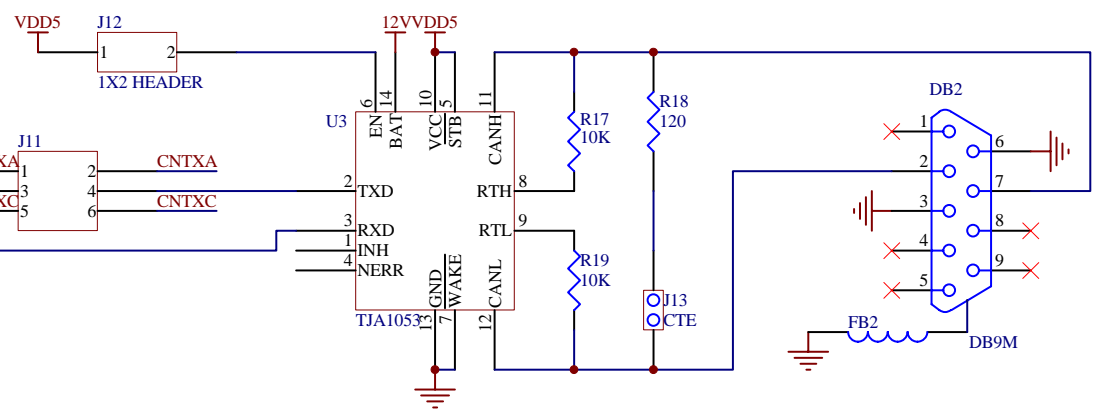
D

D



C

C



B

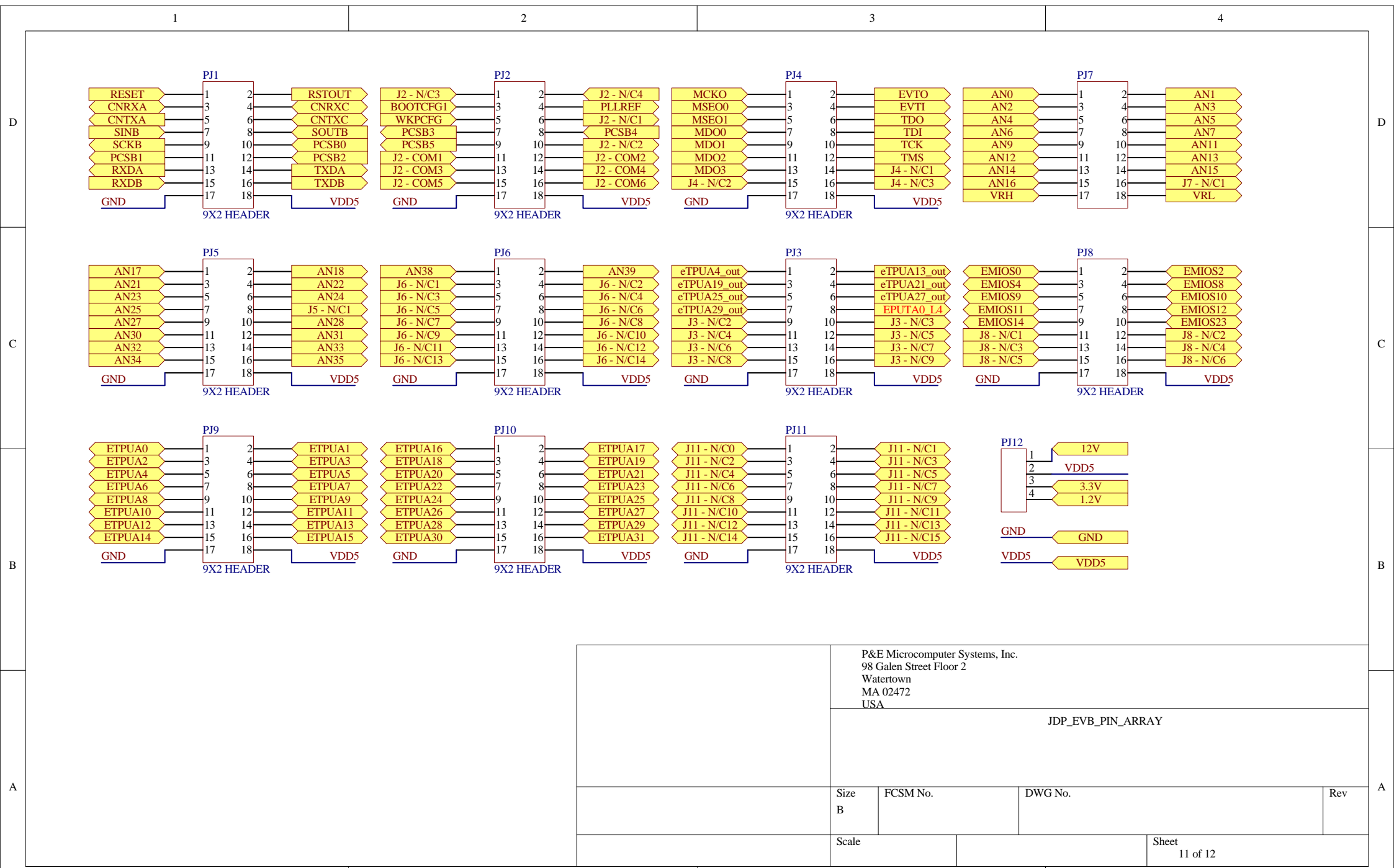
B

A

A

P&E Microcomputer Systems, Inc. 98 Galen Street Floor 2 Watertown MA 02472 USA		JDP_EVB_CAN	
Size B	FCSM No.	DWG No.	Rev A
Scale	Sheet 10 of 12		

1 2 3 4



P&E Microcomputer Systems, Inc.
 98 Galen Street Floor 2
 Watertown
 MA 02472
 USA

JDP_EVB_PIN_ARRAY

Size B	FCSM No.	DWG No.	Rev
Scale	Sheet 11 of 12		

1

2

3

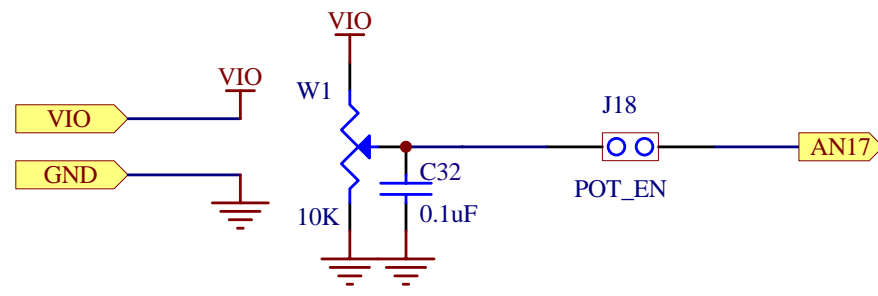
4

D

D

C

C



ANALOG INPUT

B

B

P&E Microcomputer Systems, Inc.
 98 Galen Street Floor 2
 Watertown
 MA 02472
 USA

JDP_EVB_TRIMMER

A

A

Size B	FCSM No.	DWG No.	Rev
Scale	Sheet 12 of 12		

1

2

3

4

XPC56XX EVB MOTHERBOARD

