


Table of Contents

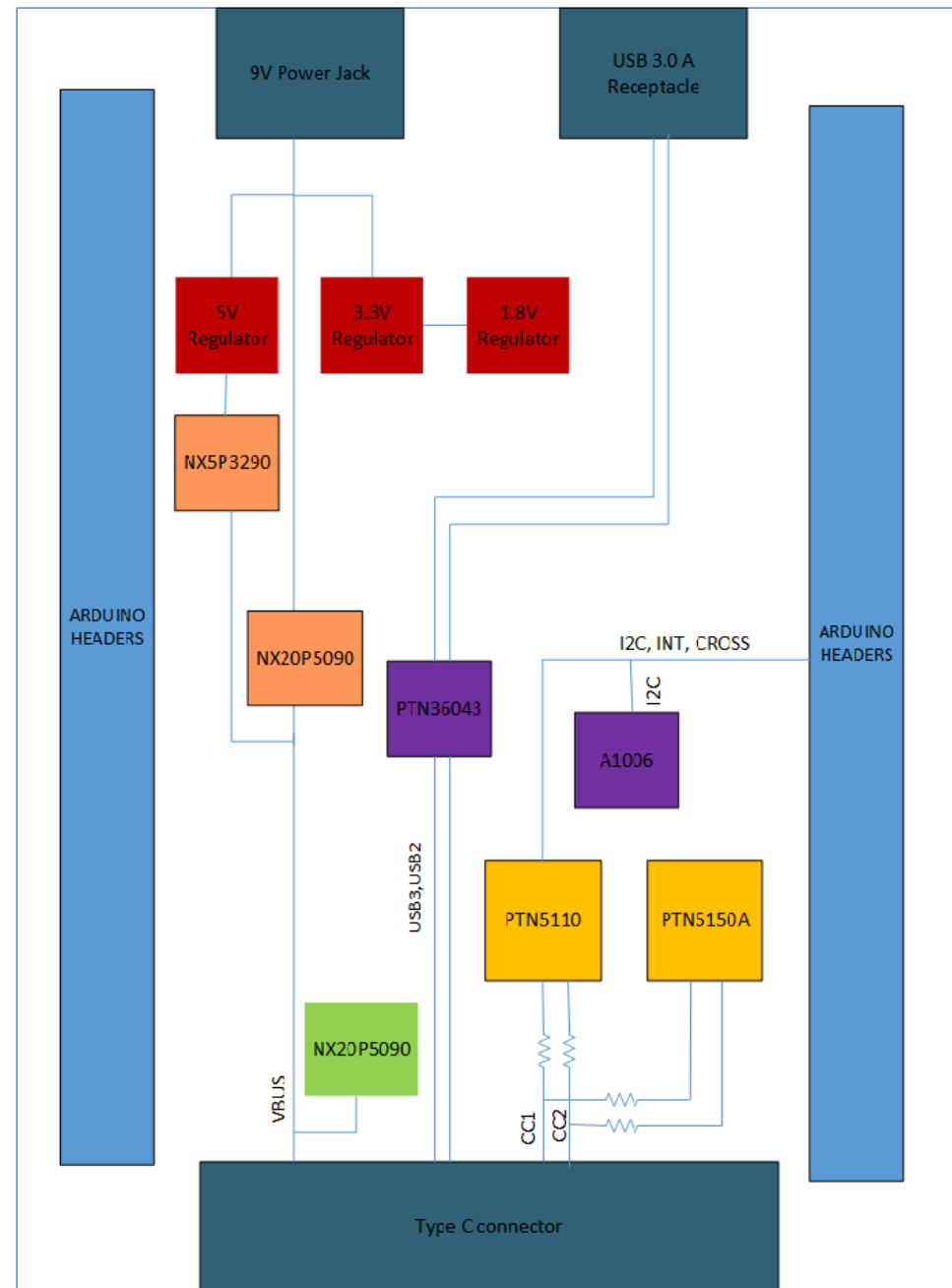
2	Block Diagram
3	Type-C Connector
4	USB3/USB2
5	PTN5110 PD TCPC
6	Shield Headers
7	PD Source and Sink LS
8	3V3, 5V0, 1V8 Supplies


Rev	Description	Date	Approved
A	Prototype Release	1-Mar-17	DK

X-USBPD-C-SHIELD

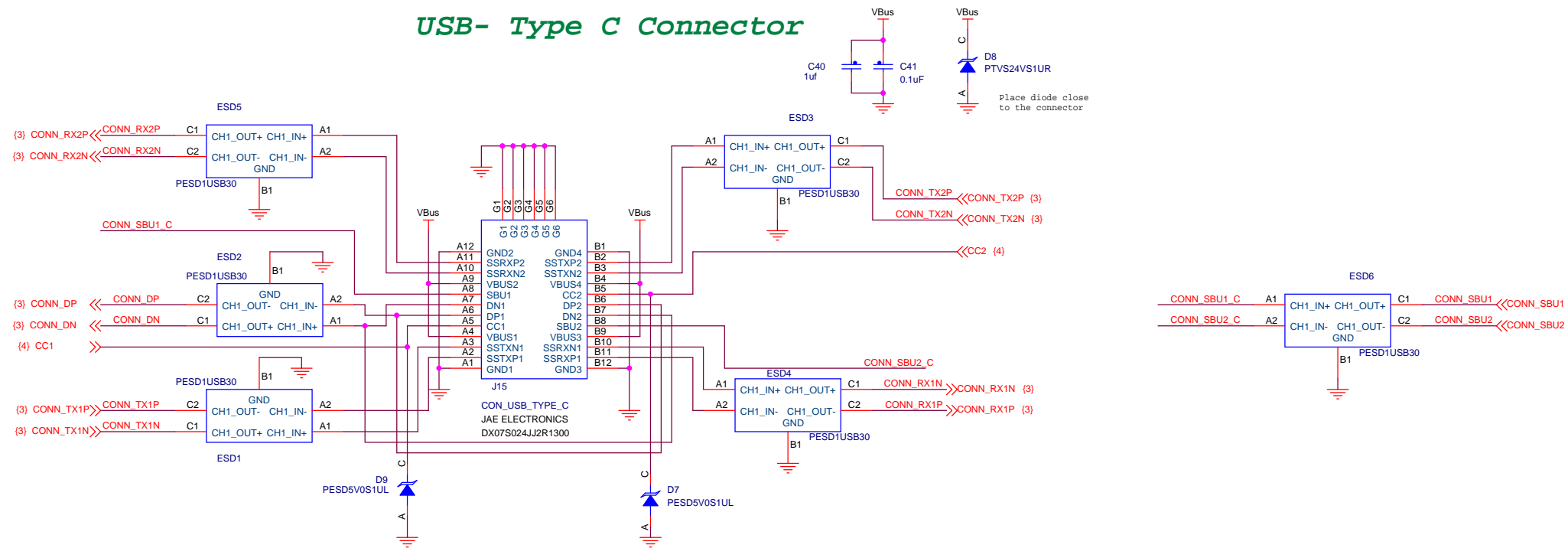
		6501 William Cannon Drive West Austin, TX 78735-8598	
This document contains information proprietary to NXP and shall not be used for engineering design, procurement or manufacture in whole or in part without the express written permission of NXP Semiconductors.			
ICAP Classification: CP: X IUC: PUBI:			
Designer: K.S Chevi	Drawing Title: X-USBPD-C-SHIELD		
Drawn by: K.S Chevi	Page Title: TITLE PAGE		
Approved: Anand	Size C	Document Number SCH-29705 PDF: SPF-29705	Rev A
Date:	Friday, March 03, 2017	Sheet	1 of 8

USB PD/ Type C Shield Board



			
ICAP Classification: CP: IUD: PUBI:			
Drawing Title: X-USBPD-C-SHIELD			
Page Title: Block Diagram			
Size C	Document Number SCH-29705 PDF: SPF-29705	Rev A	
Date: Friday, April 28, 2017	Sheet 2 of 8		

USB- Type C Connector



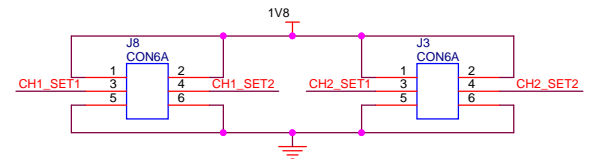
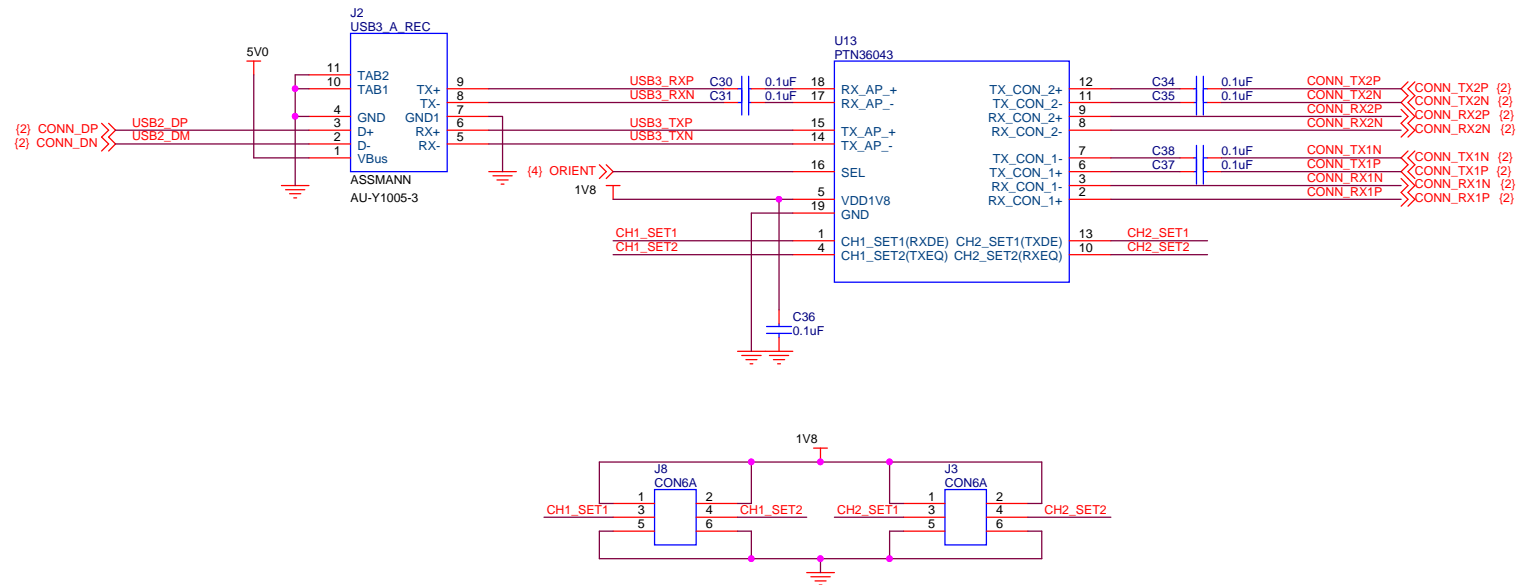
ICAP Classification: CP: IUD: PUBI:

Drawing Title: **X-USBPD-C-SHIELD**

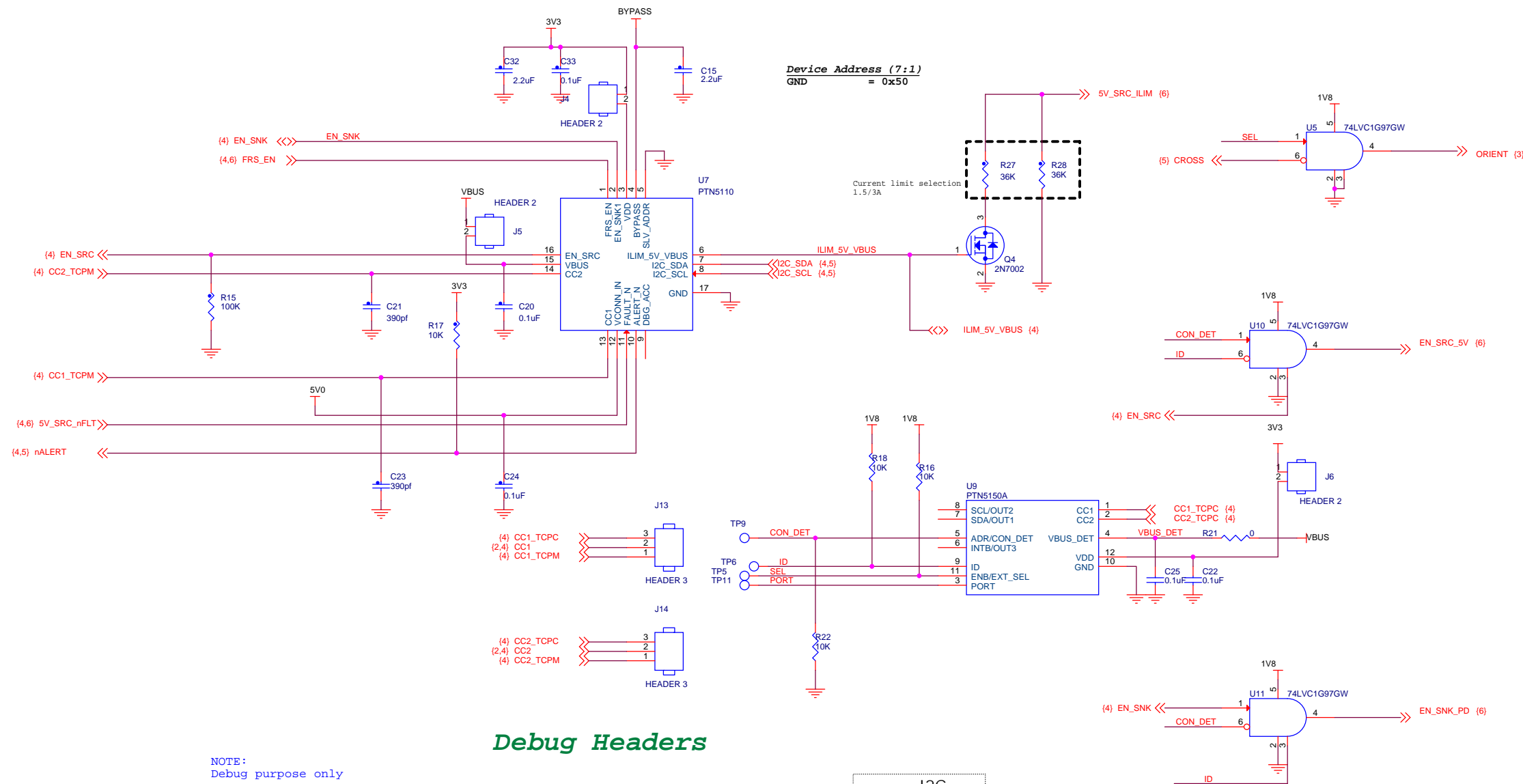
Page Title: **Type-C Connector**

Size C	Document Number SCH-29705 PDF: SPF-29705	Rev A
--------	--	-------

Date: Friday, March 03, 2017 | Sheet 3 of 8



ICAP Classification: CP: IUD: PUBI:			
Drawing Title: X-USBPD-C-SHIELD			
Page Title: USB3/USB2			
Size C	Document Number SCH-29705 PDF: SPF-29705	Rev A	
Date: Friday, March 03, 2017	Sheet 4	of	8

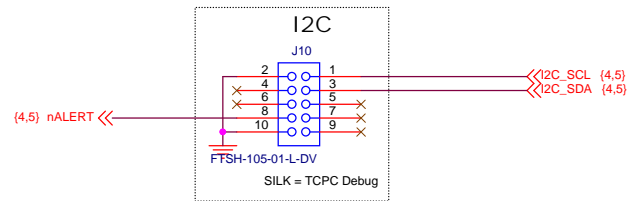
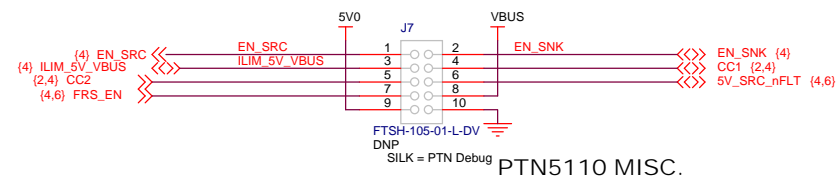


Device Address (7:1)
GND = 0x50

Current limit selection
1.5/3A

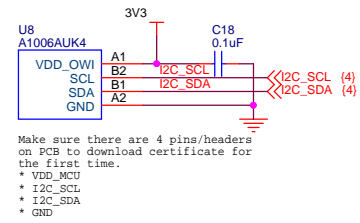
Debug Headers

NOTE:
Debug purpose only



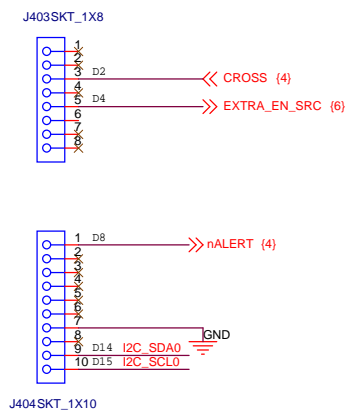
ICAP Classification: CP: IUD: PUBI:		
Drawing Title: X-USBPD-C-SHIELD		
Page Title: PTN5110 PD TCPC		
Size C	Document Number SCH-29705 PDF: SPF-29705	Rev A
Date: Friday, March 03, 2017	Sheet 5 of 8	

Authentication Chip

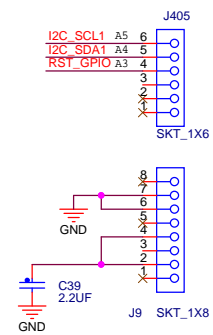


ARDUINO HEADERS

SHIELD BOARD ARDUINO HEADER



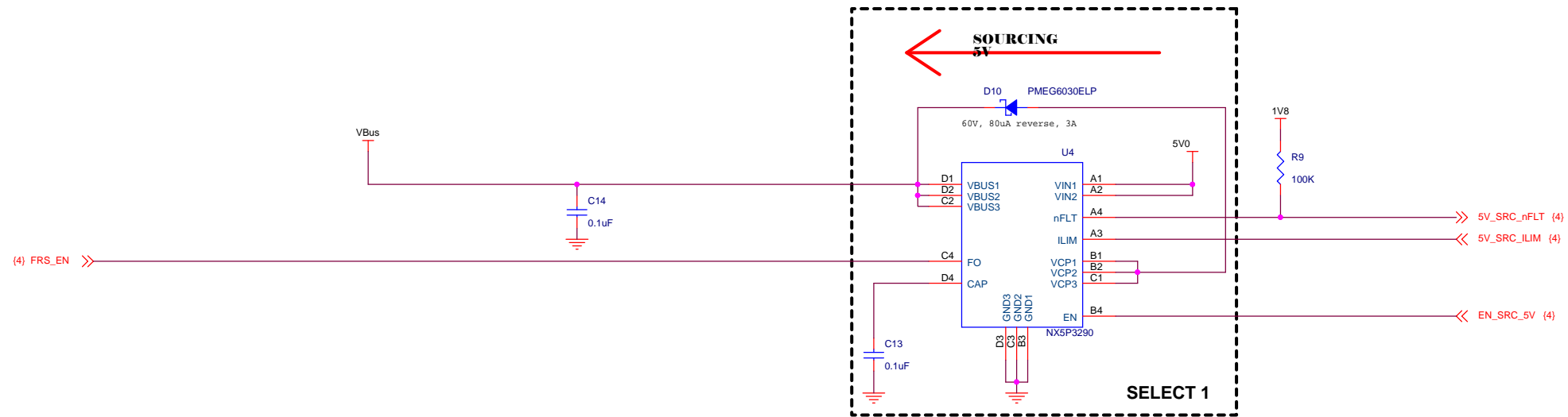
SHIELD BOARD ARDUINO HEADER



ICAP Classification: CP: IUD: PUBI:			
Drawing Title: X-USBPD-C-SHIELD			
Page Title: Shield Headers			
Size C	Document Number SCH-29705 PDF: SPF-29705	Rev A	
Date: Friday, March 03, 2017	Sheet 6	of 8	

Source 5V Load switch- supports FRS

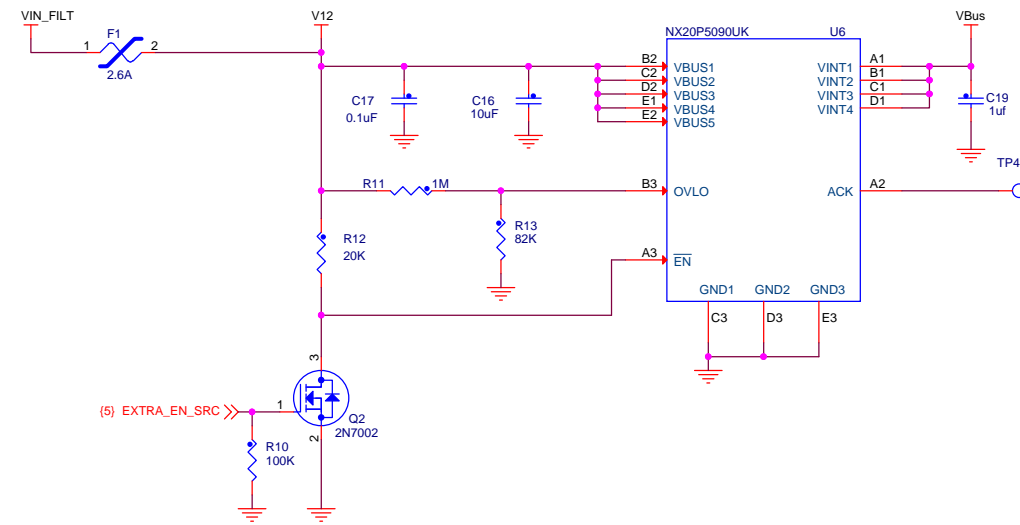
LOAD EITHER SELECT 1
OR SELECT 2



Source 9V Load switch

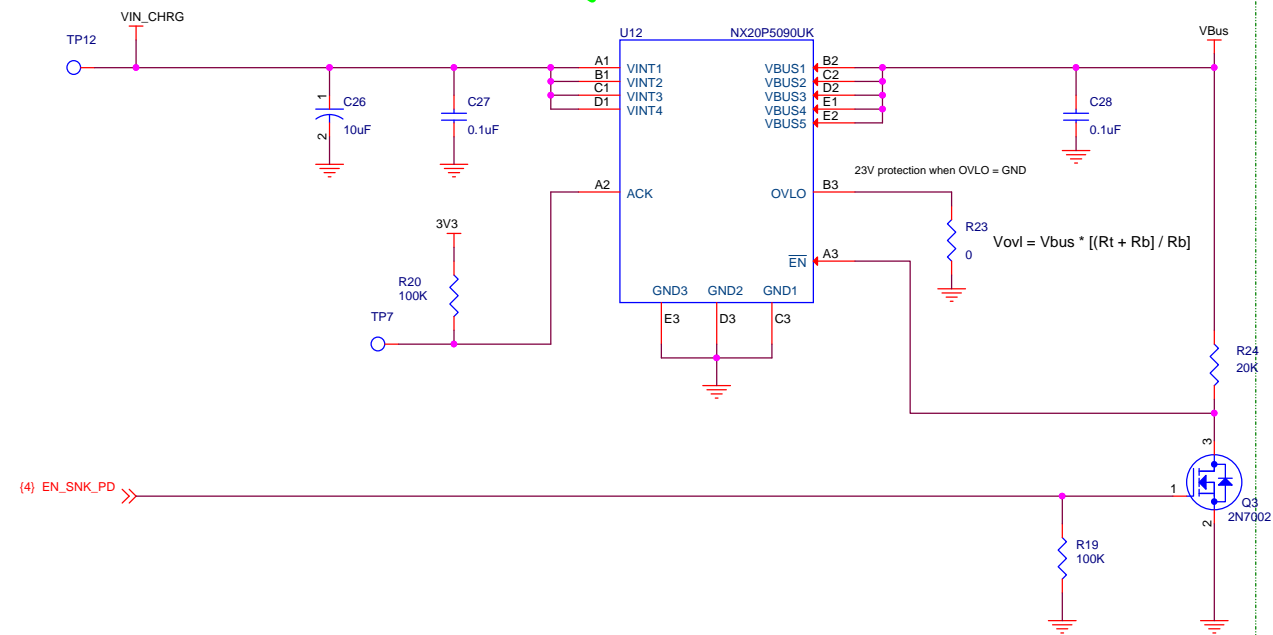
Note:
2.6A, 12V Fuse used.

← SOURCING 12V →



Sink upto 20V Load switch

SINK 5V - 20V @ 5A



ICAP Classification: CP: IUD: PUBI:

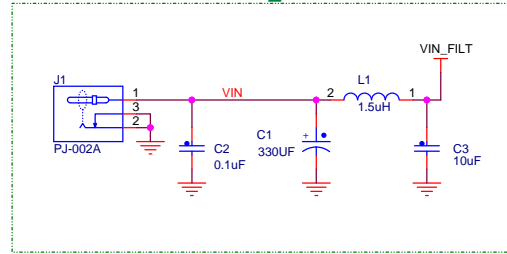
Drawing Title: **X-USBPD-C-SHIELD**

Page Title: **PD Source and Sink LS**

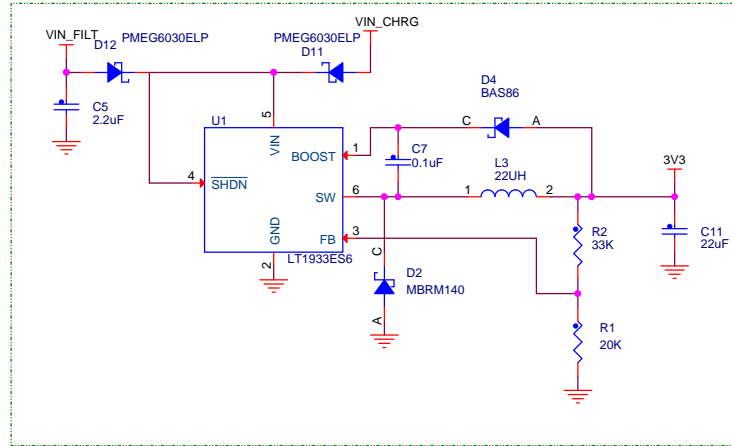
Size C	Document Number SCH-29705 PDF: SPF-29705	Rev A
--------	--	-------

Date: Friday, April 28, 2017 | Sheet 7 of 8

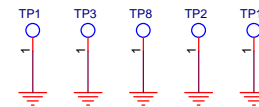
9V Input



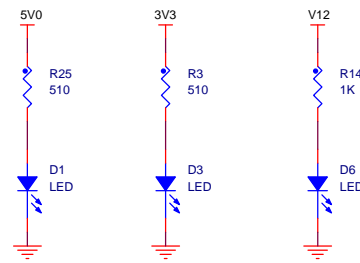
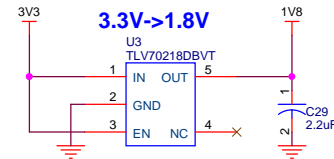
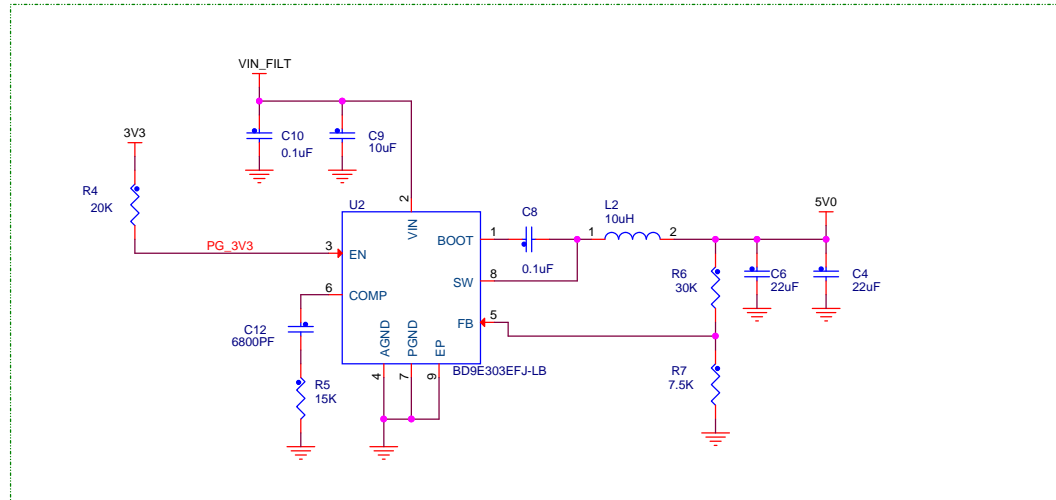
VIN_FILT to 3.3V Generation (Switcher)



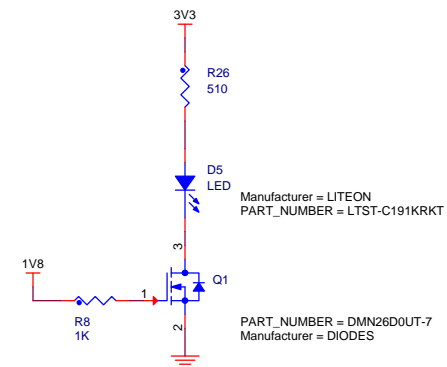
GND TP's



9V to 5V Generation (Switcher)



Manufacturer = LITEON
PART_NUMBER = LTST-C191KRKT



Manufacturer = LITEON
PART_NUMBER = LTST-C191KRKT

PART_NUMBER = DMN26D0UT-7
Manufacturer = DIODES



ICAP Classification: CP: IUD: PUBI:

Drawing Title: **X-USBPD-C-SHIELD**

Page Title: **3V3, 5V0, 1V8 Supplies**

Size C Document Number SCH-29705 PDF: SPF-29705 Rev A

Date: Thursday, April 06, 2017 Sheet 8 of 8