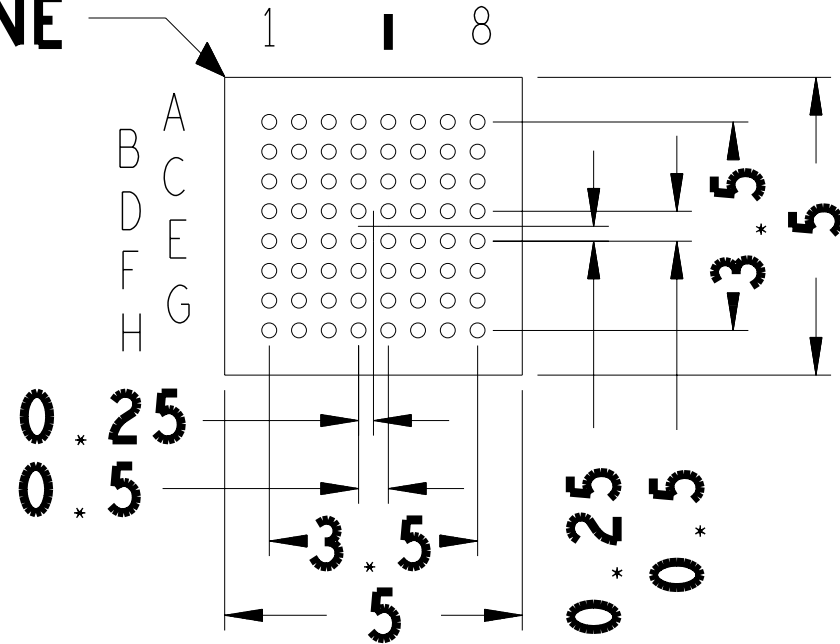


MAPBGA64_0P5_5X5

PACKAGE OUTLINE



ALL DIMS ARE IN MM
 (DIMS * FOR REF * ONLY)
 PADS C010S
 (ALL PADS ROUNDED TO MILS)