


| | |
|-----------------|------------------------------|
| Contents | |
| 1 | DESCRIPTION AND INTERFACE |
| 5 | I/O Headers and Power Supply |

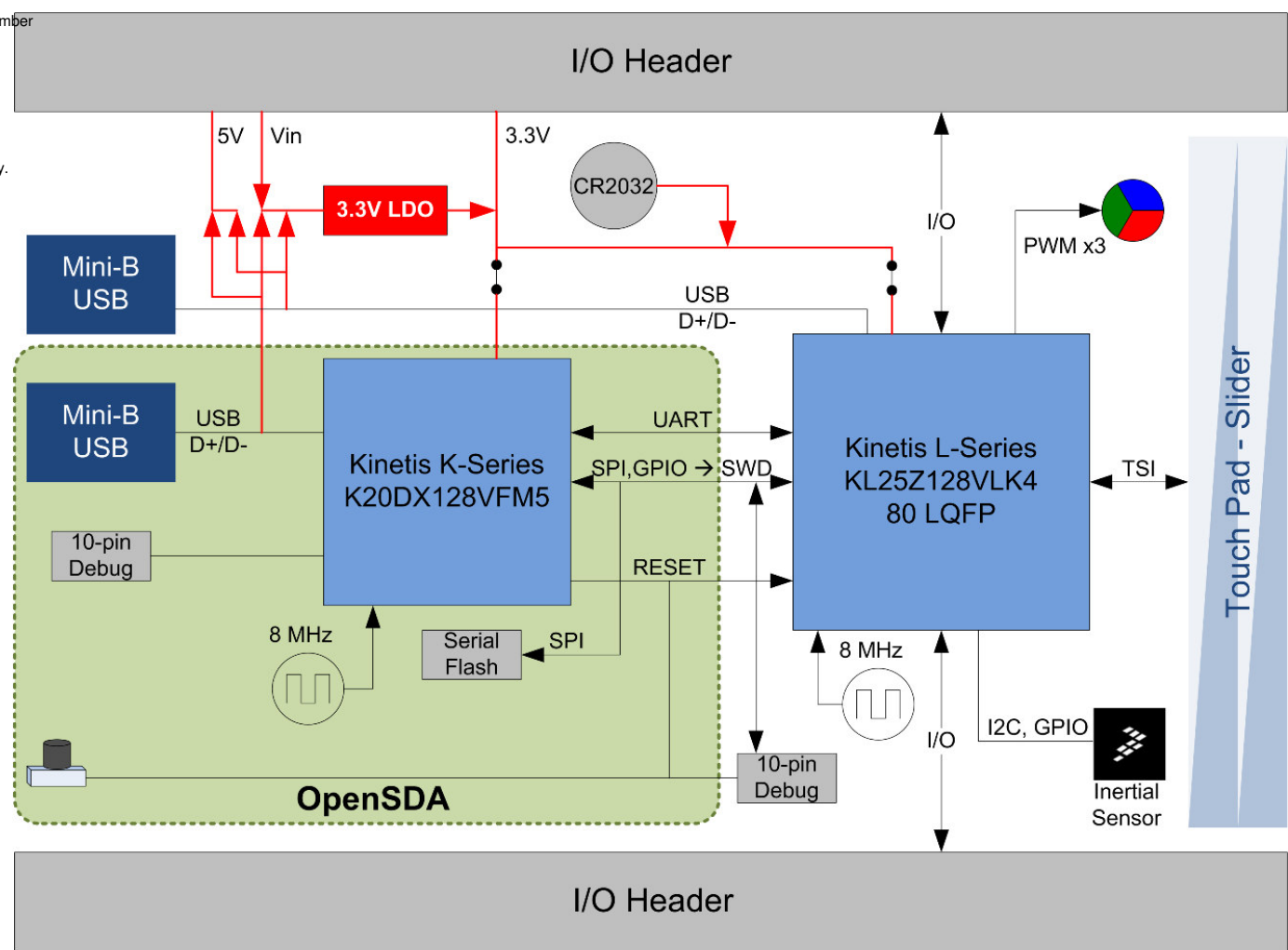
| Revisions | | | |
|------------------|------------------------------------|----------|-----------|
| Rev | Description | Date | Approved |
| X1 | Initial Draft | 04/10/12 | M. NORMAN |
| A | Release to production | 05/03/12 | M. NORMAN |
| B | Changes made to KL25Z XTAL Circuit | 05/09/12 | M. NORMAN |
| C | Fixed J10 orientation. | 05/21/12 | M. NORMAN |
| CX1 | Initial Re-spin Prototype revision | 06/29/12 | M. NORMAN |
| D | Re-spin release | 07/10/12 | M. NORMAN |

FREEDOM KL25Z

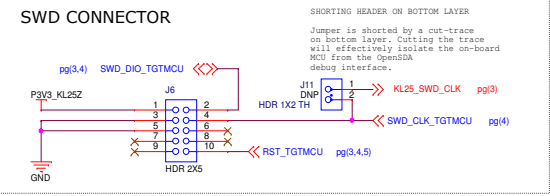
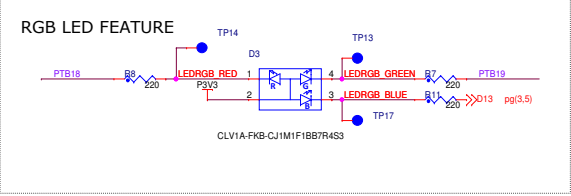
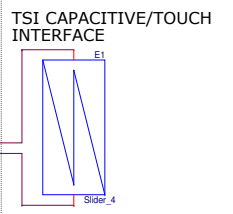
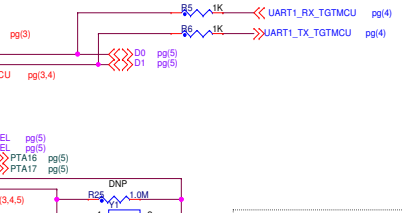
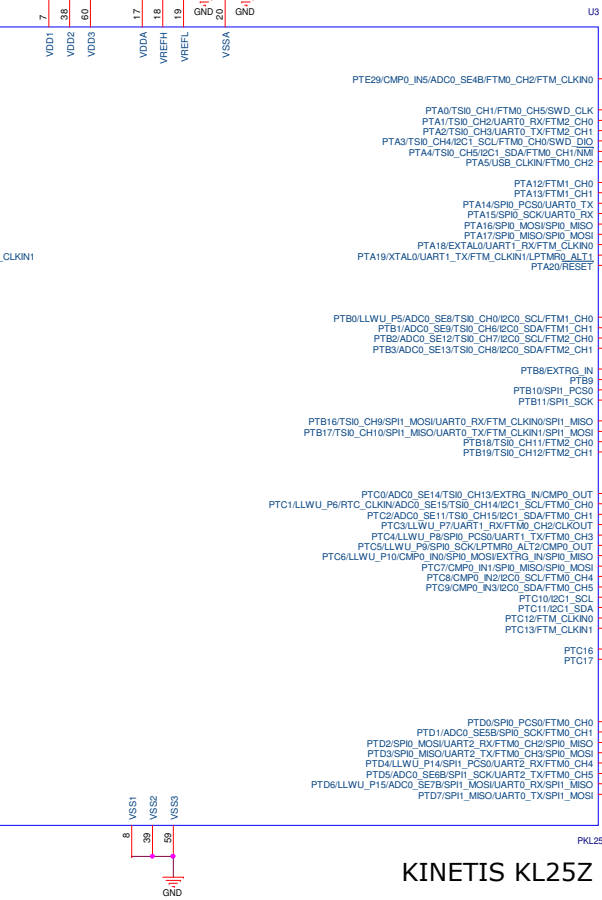
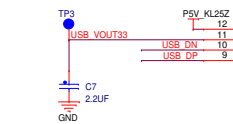
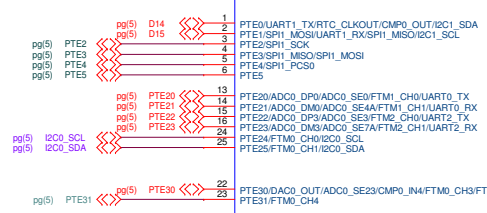
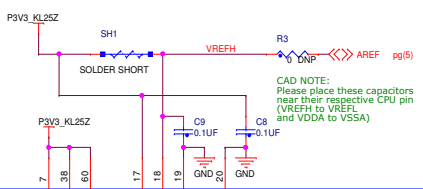
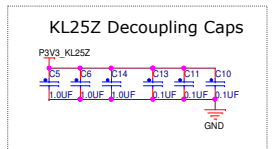
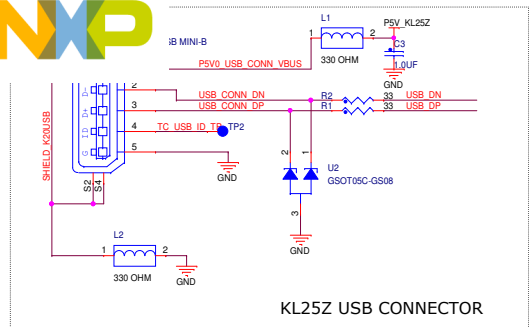
| | | | |
|---|-------------------------------------|--|----------|
|  | | Automotive, Industrial & Multi-Market Solutions Group 6501 William Cannon Drive West Austin, TX 78735-6598 | |
| ICAP Classification: FCP: FLUQ: PUB: X | | | |
| Designer: RAFAEL DEL REY | Drawing Title: FRDM-KL25Z | | |
| Drawn by: RAFAEL DEL REY | Page Title: TITLE PAGE | | |
| Approved: MICHAEL NORMAN | Size C | Document Number SCH-27556 PDF: SPF-27556 | Rev D |
| Date: Friday, July 13, 2012 | | Sheet 1 of 5 | |

All polarized capacitors are aluminum electrolytic

2. Interrupted lines coded with the same letter or letter combinations are electrically connected.
3. Device type number is for reference only. The number varies with the manufacturer.
4. Special signal usage:
 _B Denotes - Active-Low Signal
 <> or [] Denotes - Vectored Signals
5. Interpret diagram in accordance with American National Standards Institute specifications, current revision, with the exception of logic block symbology.

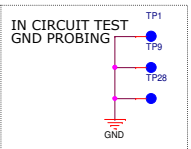
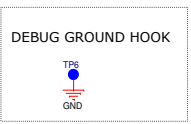
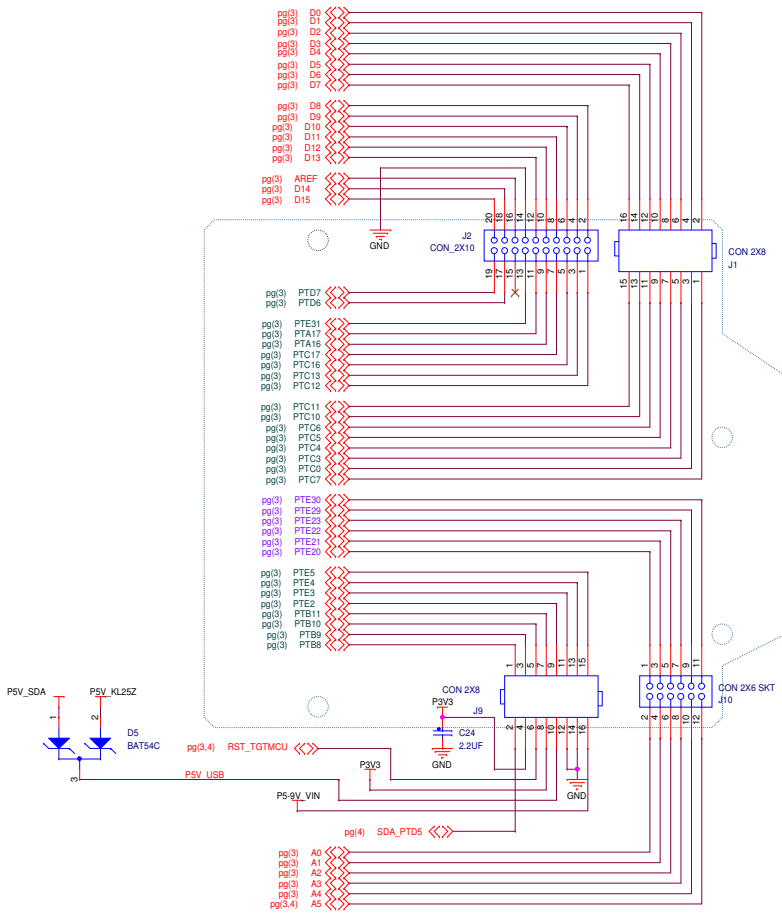
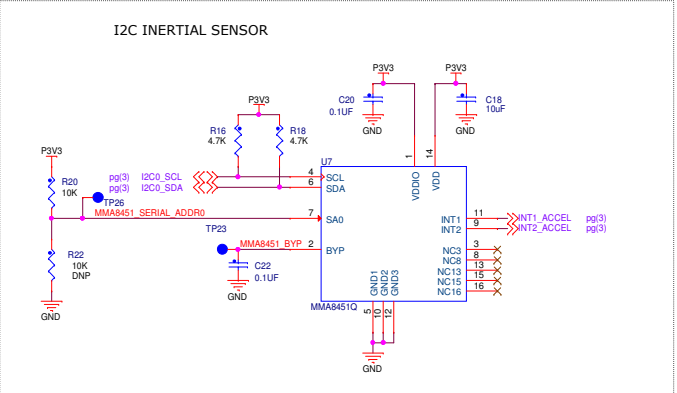
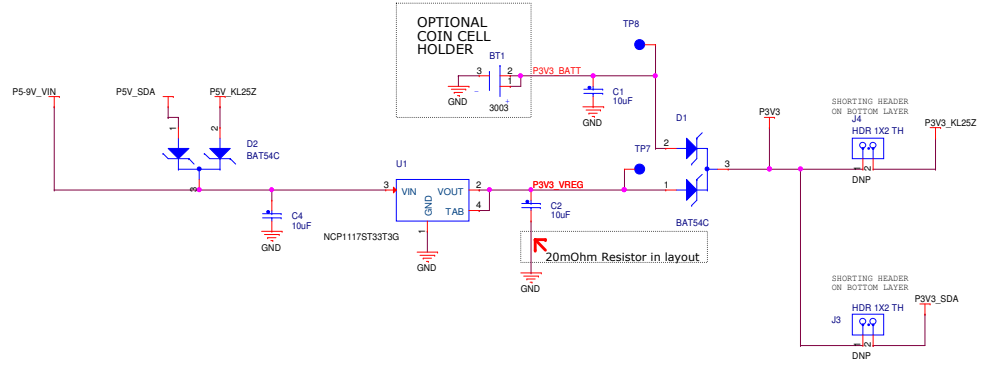


— Indicates optional items that will **not** be populated by default



freescale

ICAP Classification: FCP: FIUC: PUB: X
Drawing Title: **FRDM-KL25Z**
Page Title: **KL25Z MCU**
Size C Document Number SCH-27556 | PDF: SPF-27556 Rev D
Date: Thursday, July 12, 2012 Sheet 3 of 5



freescale

ICAP Classification: FCP: FIUC: PUBI: X
 Drawing Title: **FRDM-KL25Z**
 Page Title: **ARDUINO SHIELDS & PWR SUPPLY**

| | | |
|-------------------------------|--|-------|
| Size C | Document Number SCH-27556 PDF: SPF-27556 | Rev D |
| Date: Thursday, July 12, 2012 | Sheet 5 of 5 | |